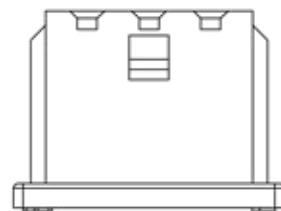
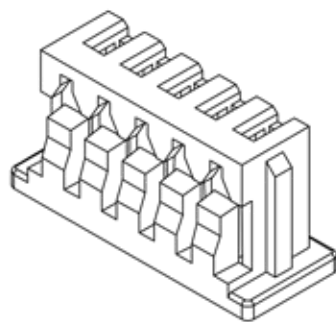


2P



3P

Circuit	Dimensions(mm)	
	A	B
02	1.25	4.25
03	2.50	5.50
04	3.75	6.75
05	5.00	8.00
06	6.25	9.25
07	7.50	10.50
08	8.75	11.75
09	10.00	13.00
10	11.25	14.25
11	12.50	15.50
12	13.75	16.75
13	15.00	18.00
14	16.25	19.25
15	17.50	20.50
16	18.75	21.75
--	---	---
25	30.00	33.00

Material:

Housing:PA66(UL94V-0/V-2),White

Electrical Characteristics:

1.Poles: 2 to 25P

2.Current rating: 1.0A

3.Voltage rating: 125V

4.Temperature range: -25℃ to +85℃

5.Contact resistance: $\leq 20m\Omega$

6.Insulation resistance: $\geq 100M\Omega$

7.Withstand voltage: 500V AC/minute

8.Applicable wire: AWG #32 to #28

9.Applicable PC board thickness: 0.8mm

Order Information

RE-C-XL1-1.25-XX-H

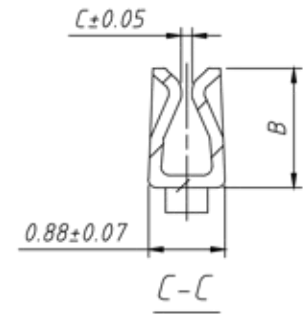
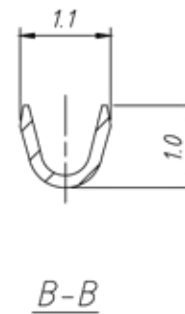
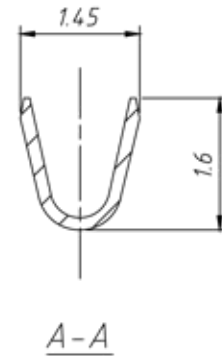
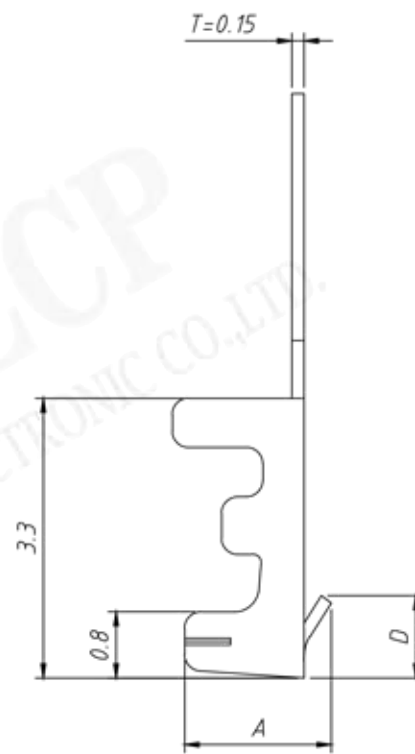
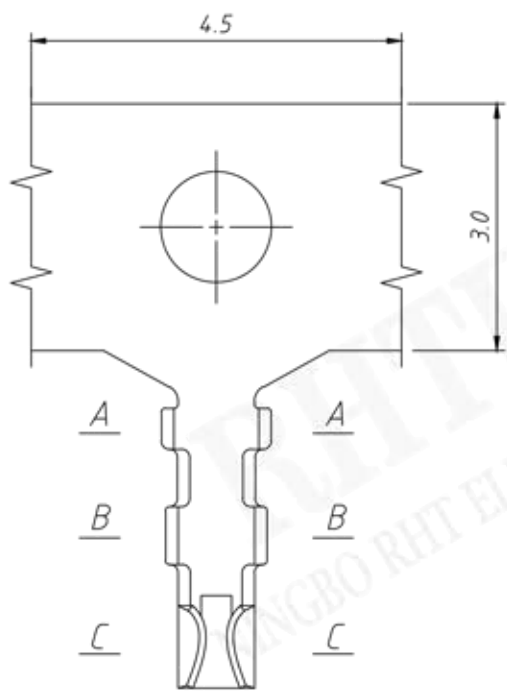
Type:H=Housing

PIN Number: 02~25Pin

Pitch: 1.25=1.25mm

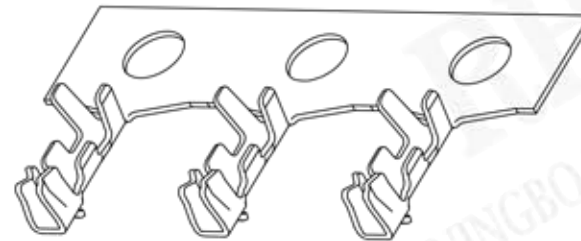
Series No.

Type



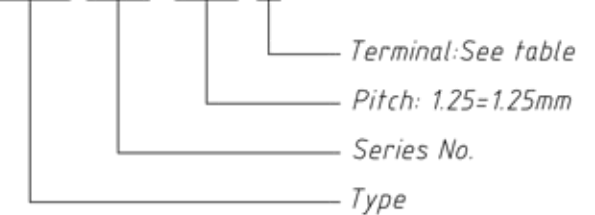
A	B	C	D	Material	Finish	Qty/reel
1.78	1.45	0.13	1.0	Phosphor Bronze	TIN	12000 PCS

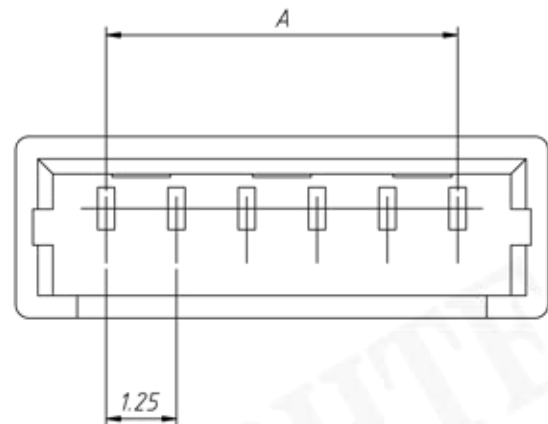
Electrical Characteristics:
 Current rating: 1.0A
 Voltage rating: 125V
 Temperature range: -25°C to +85°C5.
 Contact resistance: $\leq 20m\Omega$
 Insulation resistance: $\geq 100M\Omega$
 Withstand voltage: 500V AC/minute
 Applicable wire: AWG #32 to #28
 Applicable PC board thickness: 0.8mm



Order Information

RE-C-XL1-1.25-T

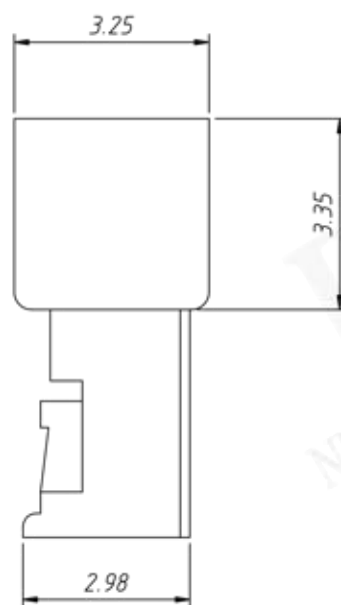
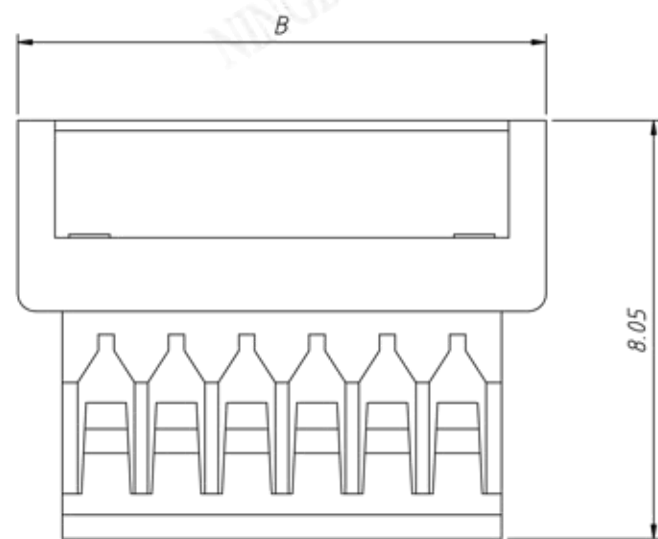




Circuit	Dimensions(mm)	
	A	B
02	1.25	4.25
03	2.50	5.50
04	3.75	6.75
05	5.00	8.00
06	6.25	9.25
07	7.50	10.50
08	8.75	11.75
09	10.00	13.00
10	11.25	14.25
11	12.50	15.50
12	13.75	16.75
13	15.00	18.00
14	16.25	19.25
15	17.50	20.50

Material:
Housing:PA66,UL94V-0,White

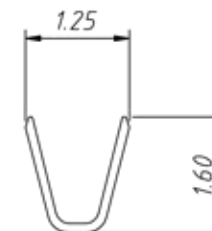
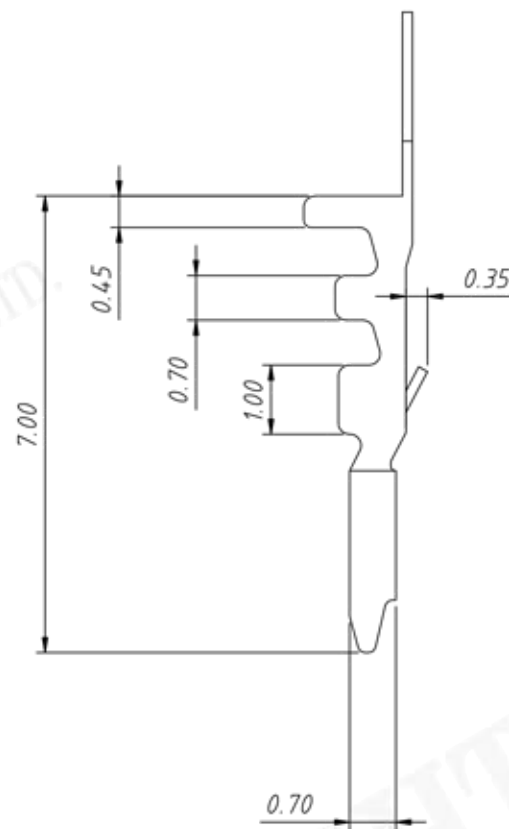
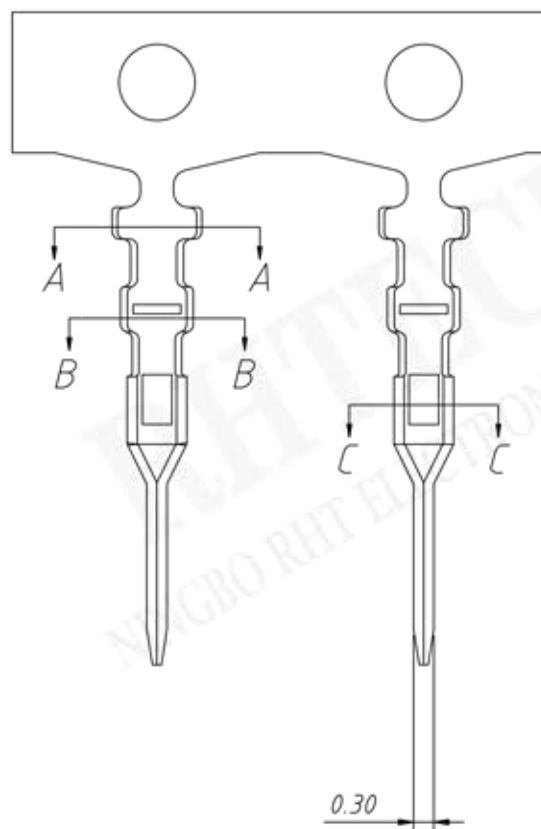
- Electrical Characteristics:
- 1.Poles: 2 to 15P
 - 2.Current rating: 1.0A
 - 3.Voltage rating: 125V
 - 4.Temperature range: -25°C to +85°C
 - 5.Contact resistance: $\leq 20m\Omega$
 - 6.Insulation resistance: $\geq 100M\Omega$
 - 7.Withstand voltage: 500V AC/minute



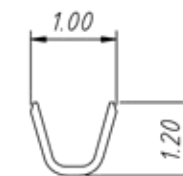
Order Information

RE - C - XL1 - 1.25 - XX - H2

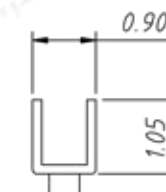
- Type:H2=Housing
- PIN Number: 02~15Pin
- Pitch: 1.25=1.25mm
- Series No.
- Type



A-A



B-B

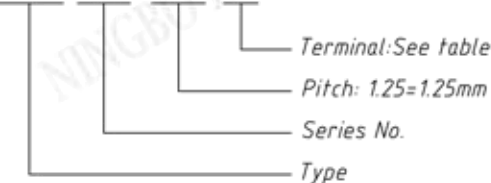


C-C

Electrical Characteristics:
 Current rating: 1.0A
 Voltage rating: 125V
 Temperature range: -25°C to +85°C.
 Contact resistance: $\leq 20m\Omega$
 Insulation resistance: $\geq 100M\Omega$
 Withstand voltage: 500V AC/minute

Order Information

RE - C - XL1 - 1.25 - T2



NINGBO RHT ELECTRONIC CO.,LTD

UNITS:mm

SHEET SIZE:A4

SCALE:---

>0~3

>3~18

>18~50

>50~120

± 0.12

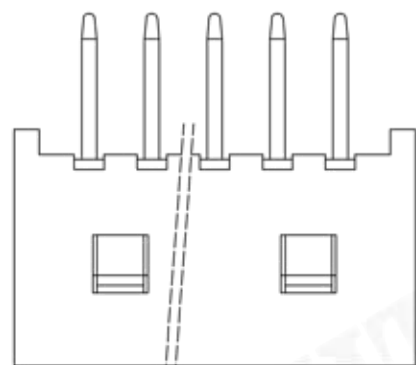
± 0.15

± 0.3

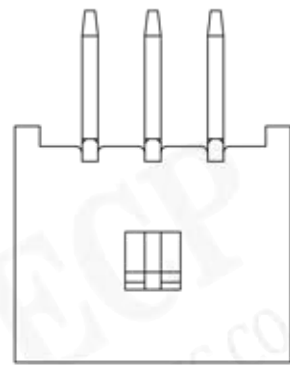
± 0.5

RE-C-XL1-1.25-T2

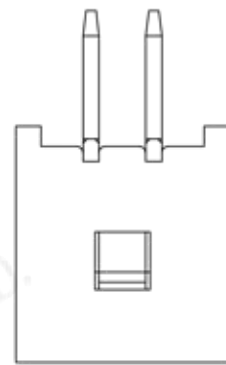
CONNECTOR



4P-25P



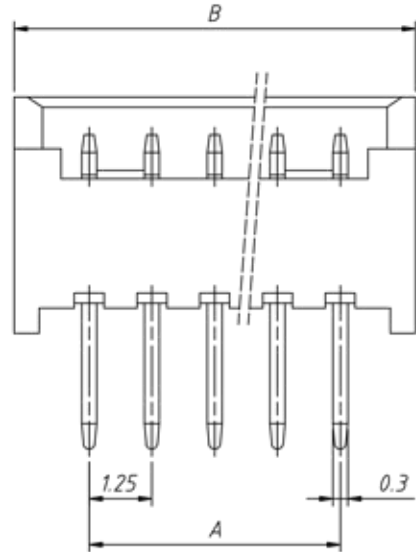
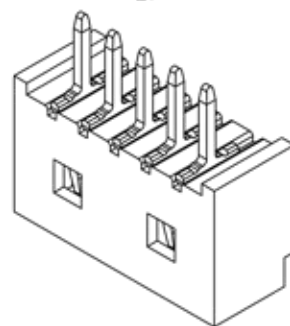
3P



2P



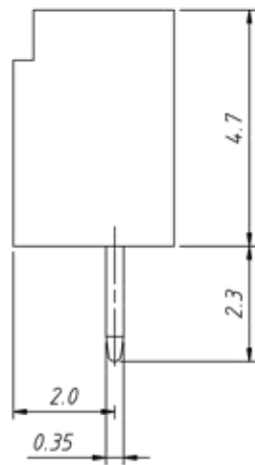
3.20



1.25

A

0.3

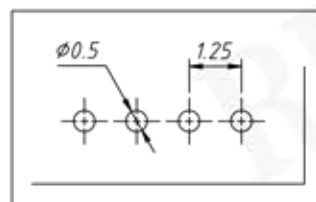


2.0

0.35

4.7

2.3



0.5

1.25

PCB LAYOUT

Circuit	Dimensions(mm)	
	A	B
02	1.25	4.25
03	2.50	5.50
04	3.75	6.75
05	5.00	8.00
06	6.25	9.25
07	7.50	10.50
08	8.75	11.75
09	10.00	13.00
10	11.25	14.25
11	12.50	15.50
12	13.75	16.75
13	15.00	18.00
14	16.25	19.25
15	17.50	20.50
16	18.75	21.75
--	---	---
25	30.00	33.00

Material:

Housing:PA66(UL94V-0/V-2),White

Contacts:Phosphor Bronze,Tin Plated

Electrical Characteristics:

1.Poles: 2 to 25P

2.Current rating: 1.0A

3.Voltage rating: 125V

4.Temperature range: -25°C to +85°C

5.Contact resistance: $\leq 20m\Omega$

6.Insulation resistance: $\geq 100M\Omega$

7.Withstand voltage: 500V AC/minute

8.Applicable wire: AWG #32 to #28

9.Applicable PC board thickness: 0.8mm

Order Information

RE-C-XL1-1.25-XX-S

Type:S=Straight Male pin

PIN Number: 02~25Pin

Pitch: 1.25=1.25mm

Series No.

Type



NINGBO RHT ELECTRONIC CO.,LTD

UNITS:mm

SHEET SIZE:A4

SCALE:---

>0~3

>3~18

>18~50

>50~120

RE-C-XL1-1.25-XX-S

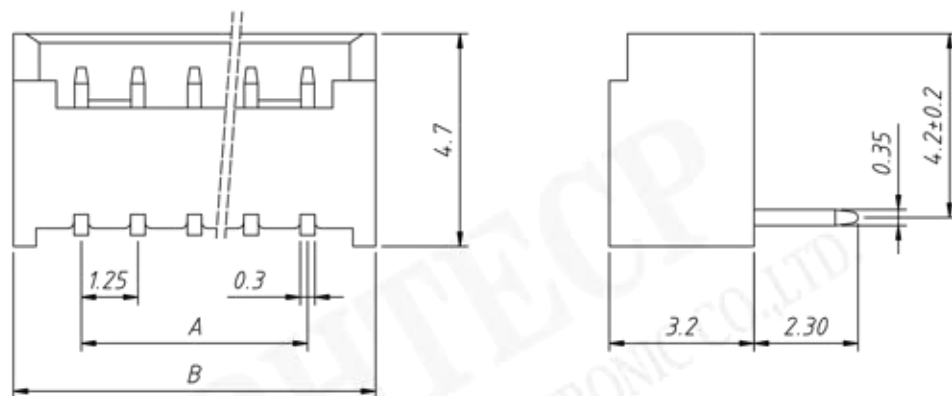
± 0.12

± 0.15

± 0.3

± 0.5

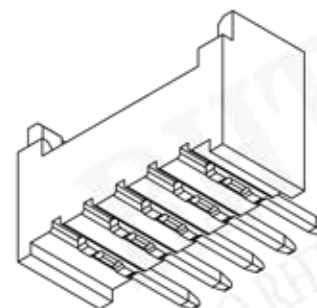
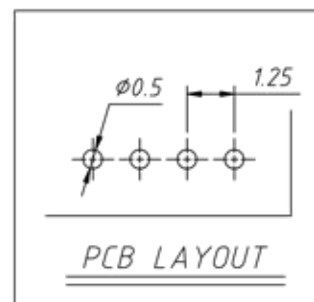
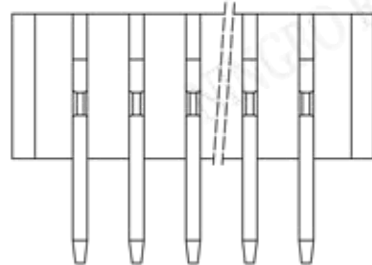
CONNECTOR



Circuit	Dimensions(mm)	
	A	B
02	1.25	4.25
03	2.50	5.50
04	3.75	6.75
05	5.00	8.00
06	6.25	9.25
07	7.50	10.50
08	8.75	11.75
09	10.00	13.00
10	11.25	14.25
11	12.50	15.50
12	13.75	16.75
13	15.00	18.00
14	16.25	19.25
15	17.50	20.50
16	18.75	21.75
--	---	---
25	30.00	33.00

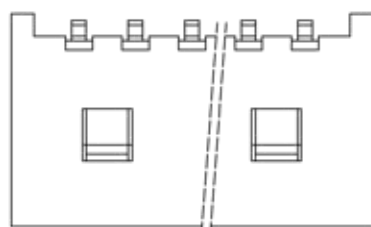
Material:
Housing: PA66(UL94V-0/V-2), White
Contacts: Phosphor Bronze, Tin Plated

- Electrical Characteristics:**
1. Poles: 2 to 25P
 2. Current rating: 1.0A
 3. Voltage rating: 125V
 4. Temperature range: -25°C to +85°C
 5. Contact resistance: $\leq 20m\Omega$
 6. Insulation resistance: $\geq 100M\Omega$
 7. Withstand voltage: 500V AC/minute
 8. Applicable wire: AWG #32 to #28
 9. Applicable PC board thickness: 0.8mm

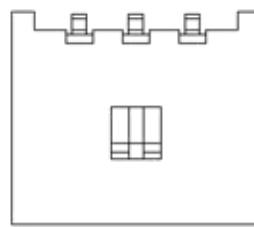


Order Information

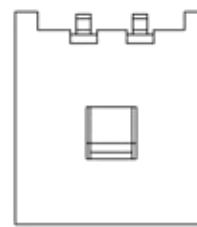
RE-C-XL1-1.25-XX-R



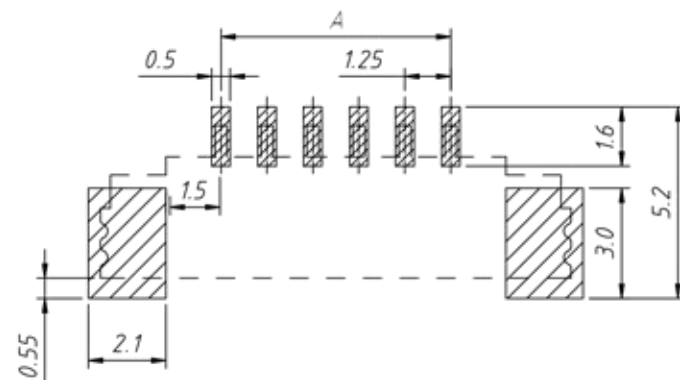
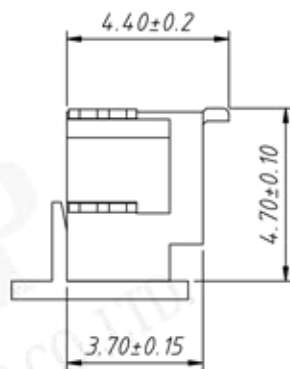
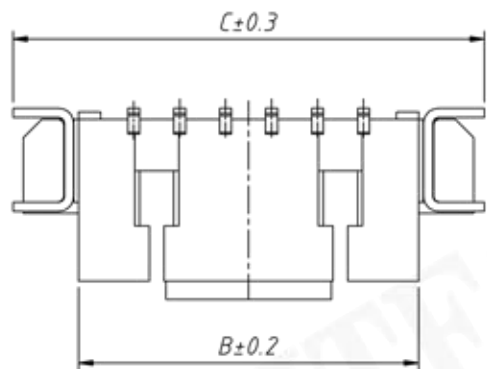
4P-25P



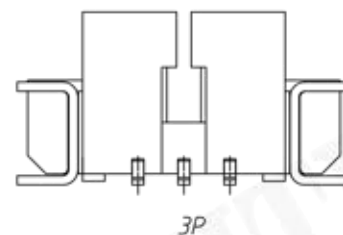
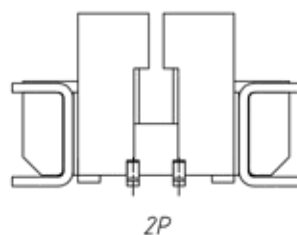
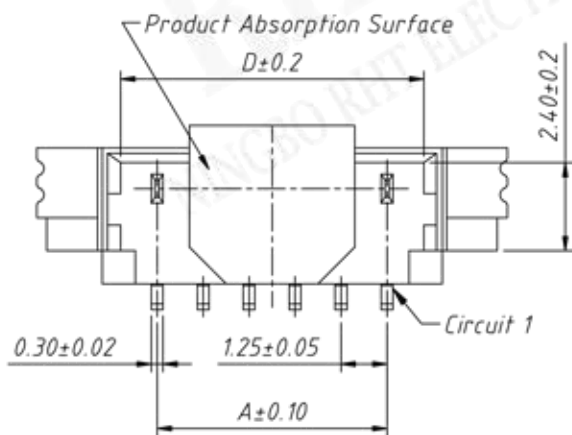
3P



2P



Suggested PCB Layout



Material:

Insulator: LCP UL 94V-0, Beige

Contacts: Phosphor Bronze, Tin Plated

Solder Tab: Brass, Tin Plated

Electrical Specification:

Poles: 02 to 16

Contact resistance: $\leq 20m\Omega$

Insulation resistance: $\geq 100M\Omega$

Rated voltage: 125V AC DC

Rated current: 1.0A AC DC

Withstand Voltage: 500V AC/minute

Temperature Range: $-25^{\circ}C \sim +105^{\circ}C$

Circuit	Dimensions(mm)				Circuit	Dimensions(mm)			
	A	B	C	D		A	B	C	D
02	1.50	4.25	7.75	3.05	10	11.25	14.25	17.75	13.05
03	2.50	5.50	9.00	4.30	11	12.50	15.50	19.00	14.30
04	3.75	6.75	10.25	5.55	12	13.75	16.75	20.25	15.55
05	5.00	8.00	11.50	6.80	13	15.00	18.00	21.50	16.80
06	6.25	9.25	12.75	8.05	14	16.25	19.25	22.75	18.05
07	7.50	10.50	14.00	9.30	15	17.50	20.50	24.00	19.30
08	8.75	11.75	15.25	10.55	16	18.75	21.75	25.25	20.55
09	10.00	13.00	16.50	11.80					

RHTECP NINGBO RHT ELECTRONIC CO.,LTD

UNITS:mm

SHEET SIZE:A4

SCALE:---

RE-C-XL1-1.25-XX-VM

>0~3

>3~18

>18~50

>50~120

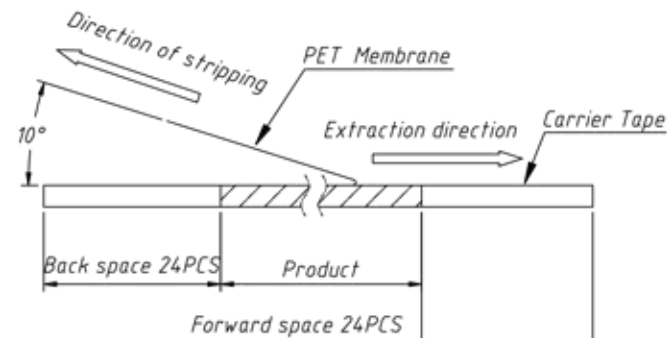
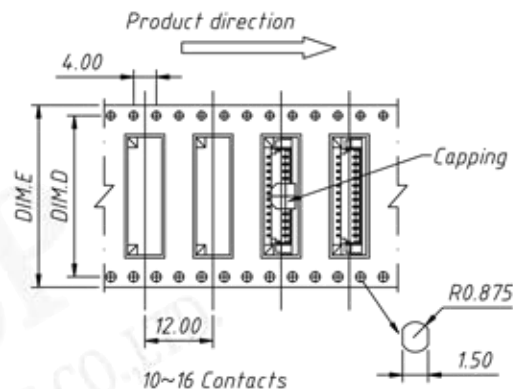
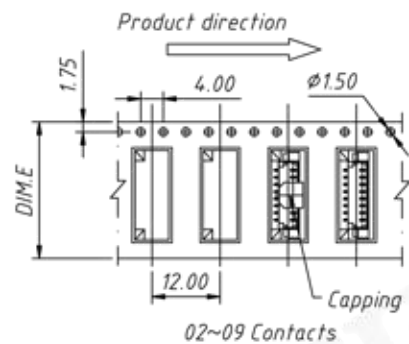
±0.12

±0.15

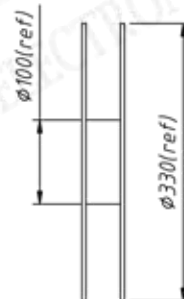
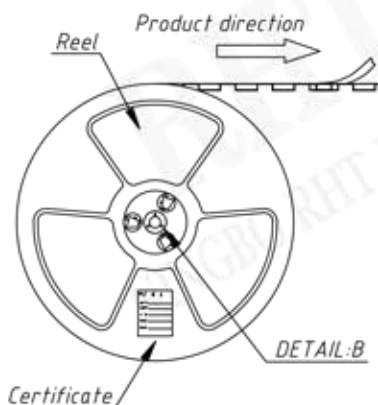
±0.3

±0.5

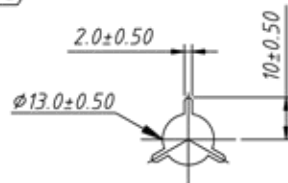
CONNECTOR



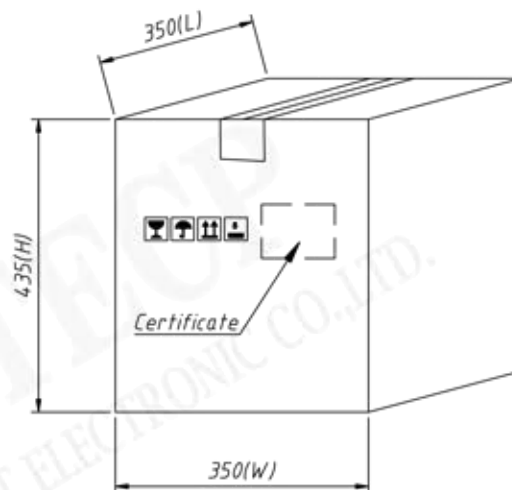
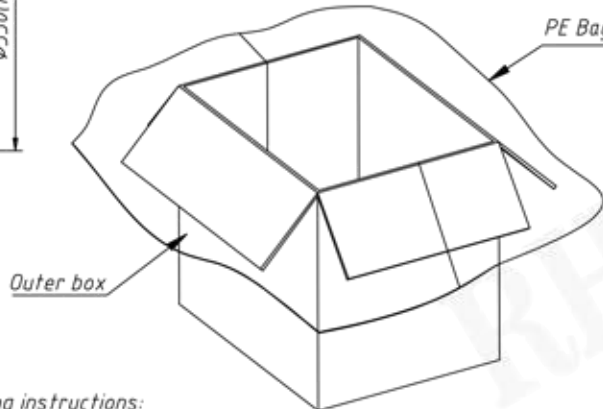
PET Membrane Schematic diagram of stripping



Loading x Disk (Reference List 1)



DETAIL:B



Packaging instructions:

Pack the finished products into reels, each with 1000 PCS.

The product will be packed by pasting a certificate on the reel.

The reel is put into the outer box, and the outer box is fitted with one first.

Large PE bags with qualified certificates affixed on the outer case.

Circuits	DIM.D	DIM.E	Q'ty/Reel	Packing Reel/Caton
02-03 PIN	--	16	1000 PCS	20/Reel
04-09 PIN	--	24	1000 PCS	15/Reel
10-13 PIN	28.4	32	1000 PCS	11/Reel
114-16 PIN	40.4	44	1000 PCS	8/Reel



NINGBO RHT ELECTRONIC CO.,LTD

UNITS:mm

SHEET SIZE:A4

SCALE:---

>0~3

>3~18

>18~50

>50~120

± 0.12

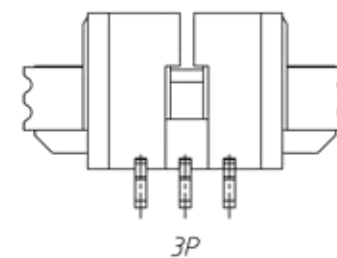
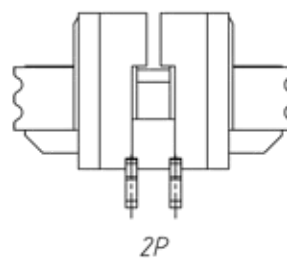
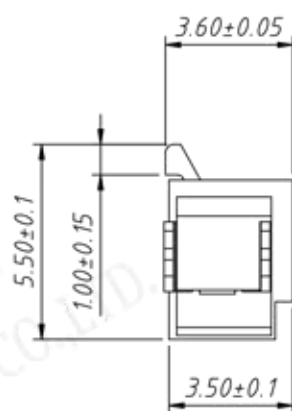
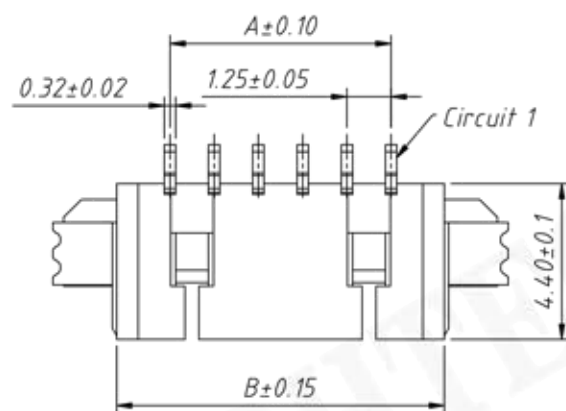
± 0.15

± 0.3

± 0.5

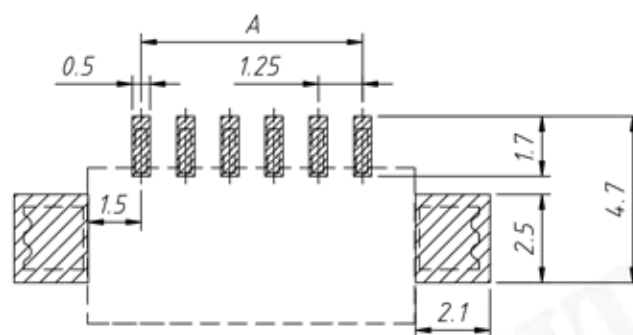
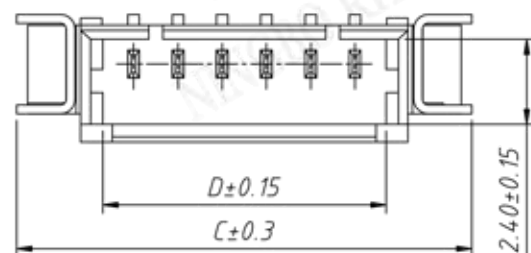
RE-C-XL1-1.25-XX-VM

CONNECTOR

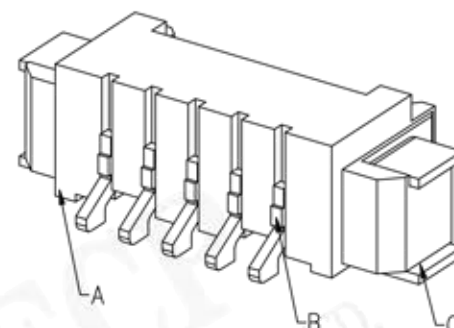


2P

3P



Suggested PCB Layout



Material:

Insulator:LCP UL94V-0,Beige

Contacts:Phosphor Bronze,Tin Plated

Solder Tab:Brass,Tin Plated

Electrical Specification:

Poles: 02 to 16

Contact resistance: $\leq 20m\Omega$

Insulation resistance: $\geq 100M\Omega$

Rated voltage:125V AC DC

Rated current:1.0A AC DC

Withstand Voltage:500V AC/minute

Temperature Range:-25°C~ +105°C

Circuit	Dimensions(mm)				Circuit	Dimensions(mm)			
	A	B	C	D		A	B	C	D
02	1.50	4.25	7.75	3.05	10	11.25	14.25	17.75	13.05
03	2.50	5.50	9.00	4.30	11	12.50	15.50	19.00	14.30
04	3.75	6.75	10.25	5.55	12	13.75	16.75	20.25	15.55
05	5.00	8.00	11.50	6.80	13	15.00	18.00	21.50	16.80
06	6.25	9.25	12.75	8.05	14	16.25	19.25	22.75	18.05
07	7.50	10.50	14.00	9.30	15	17.50	20.50	24.00	19.30
08	8.75	11.75	15.25	10.55	16	18.75	21.75	25.25	20.55
09	10.00	13.00	16.50	11.80					

RHTECP NINGBO RHT ELECTRONIC CO.,LTD

UNITS:mm

SHEET SIZE:A4

SCALE:---

>0~3

>3~18

>18~50

>50~120

±0.12

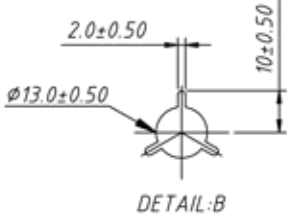
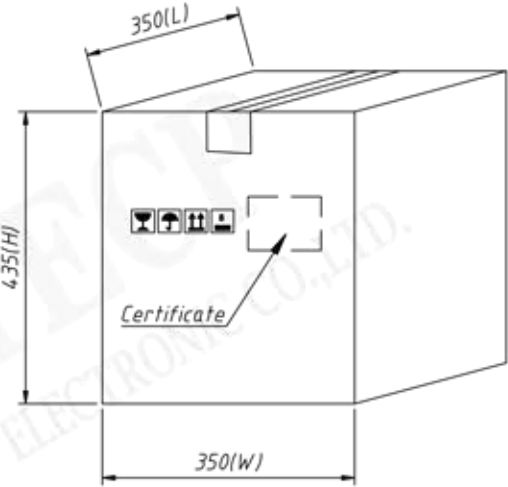
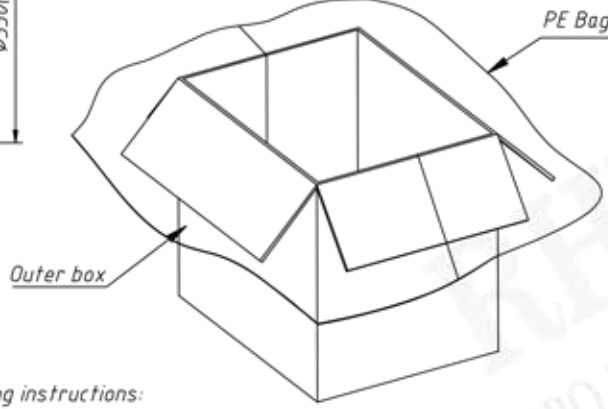
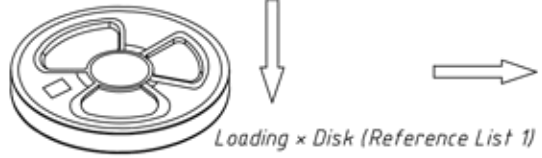
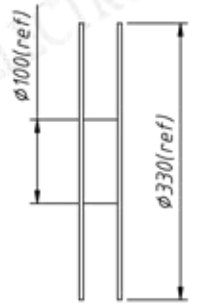
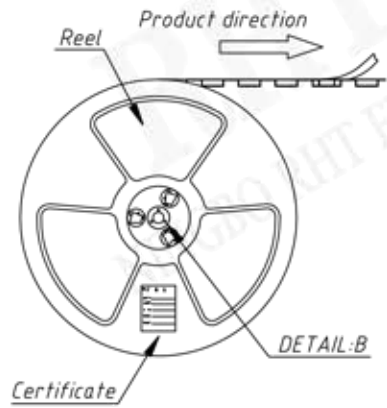
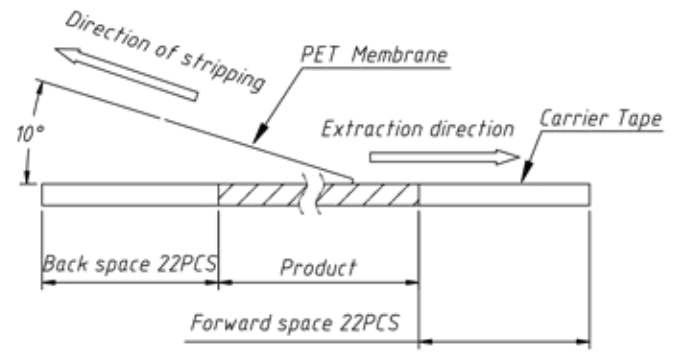
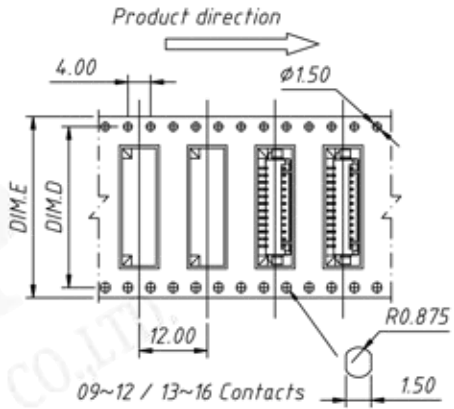
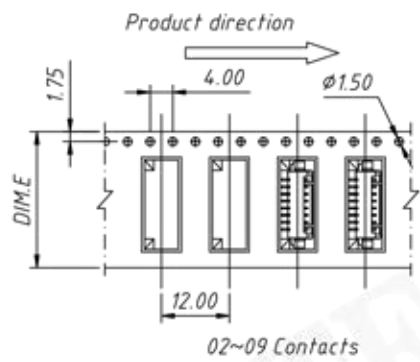
±0.15

±0.3

±0.5

RE-C-XL1-1.25-XX-RM

CONNECTOR



Packaging instructions:
 Pack the finished products into reels, each with 1500 PCS.
 The product will be packed by pasting a certificate on the reel.
 The reel is put into the outer box, and the outer box is fitted with one first.
 Large PE bags with qualified certificates affixed on the outer case.

Circuits	DIM.D	DIM.E	Q'ty/Reel	Packing Reel/Catan
02 PIN	--	12	2000 PCS	25/Reel
03-06 PIN	--	16	1500 PCS	20/Reel
07-14 PIN	--	24	1500 PCS	15/Reel
15-18 PIN	28.4	32	1500 PCS	11/Reel

RHTECP NINGBO RHT ELECTRONIC CO.,LTD

UNITS: mm	SHEET SIZE: A4		SCALE: ---	
>0~3	>3~18	>18~50	>50~120	
±0.12	±0.15	±0.3	±0.5	

RE-C-XL1-1.25-XX-RM
 CONNECTOR