

Material:

Housing: PBT+Glass Filled Polyester

Flammability Rating: UL94V-0

Contacts: Phosphor Bronze

Plating: Gold Plating

Electrical:

Voltage Rating: 125VAC

Current Rating: 1.5A

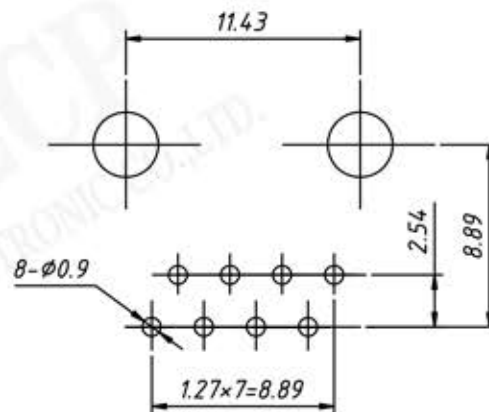
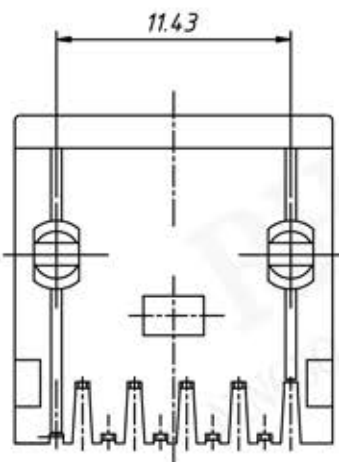
Contact Resistance: 30mΩ Max.

Insulation Resistance: 500MΩ Min.

Dielectric Strength: 1000VAC Rms 50Hz, 1 Min.

Durability: 600 cycles Min.

Operation Temperature: -40°C ~ +70°C



PCB Layout

Order Information

RE - C - 158RA - 8P8C - XX

Contacts: 8P8C

Plating Code:

01-Fu" Gold Plating

02-3u" Gold Plating

03-6u" Gold Plating

04-15u" Gold Plating

05-30u" Gold Plating