

Material:

Housing: Engineering Thermoplastic

Flammability Rating : UL94V-0

Contacts: Phosphor Bronze

Plating: Gold Plating Over Nickel in Contact.

Tin Plating Over Nickel in Solder Area.

Electrical:

Voltage Rating: 125VAC

Current Rating: 1.5A

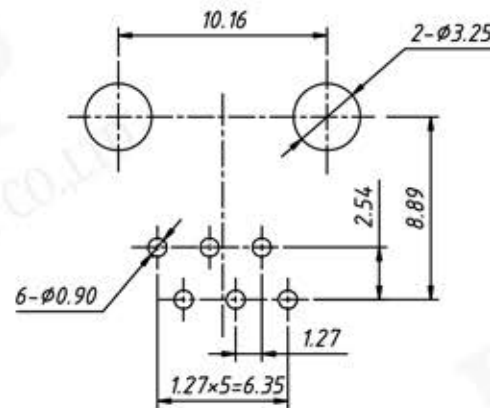
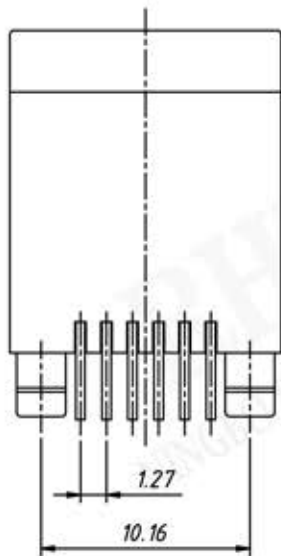
Contact Resistance: 40mΩ Max.

Insulation Resistance: 1000MΩ Min. @500VDC

Dielectric Strength: 1000VAC Rms 60Hz, 1 Min.

Durability: 750 cycles Min.

Operation Temperature: -20°C ~ +75°C



PCB Layout

Order Information

RE - C - 152 - 6P6C - S - 1 - XX

RoHS

Contacts: 6P6C

Color Code: 1-Black

Plating Code:

01-Fu" Gold Plating

02-3u" Gold Plating

03-6u" Gold Plating

04-15u" Gold Plating

05-30u" Gold Plating