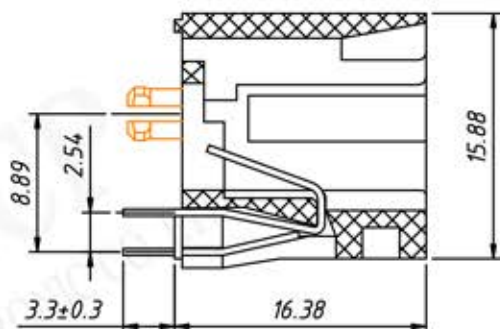
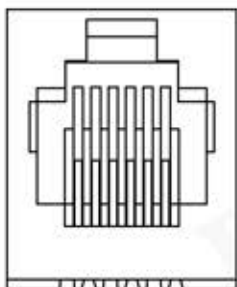
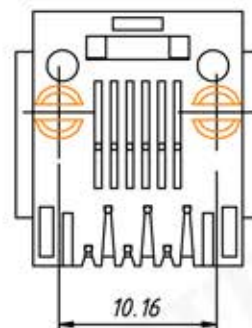


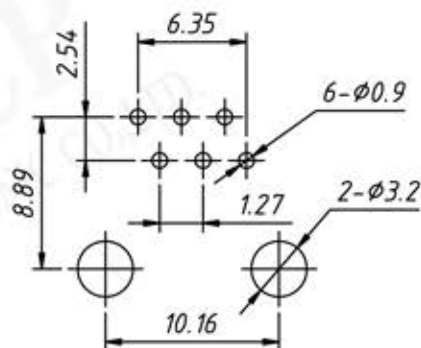
With Panel



SECTION A-A



Without Panel



PCB Layout

**Material:**

Housing: PBT+Glass Filled Polyester

Flammability Rating : UL 94V-0

Contacts: Phosphor Bronze  $\phi 0.46\text{mm}$

Plating: Gold Plating

**Electrical:**

Voltage Rating: 125VAC

Current Rating: 1.5A

Contact Resistance: 30m $\Omega$  Max.

Insulation Resistance: 500M $\Omega$  Min.

Dielectric Strength: 1000VAC Rms 50Hz, 1 Min.

Durability: 600 cycles Min.

Operation Temperature: -40°C ~ +70°C

**Order Information**

RE - C - 154 - 6P6C - X - X - 1 - XX

Contacts: 6P6C

Panel Code: W-with Panel

W/O-without Panel

Peg Code: L-L Peg S-Split Peg

Color Code: 1-Black

Plating Code:

01-Fu" Gold Plating

02-3u" Gold Plating

03-6u" Gold Plating

04-15u" Gold Plating

05-30u" Gold Plating

