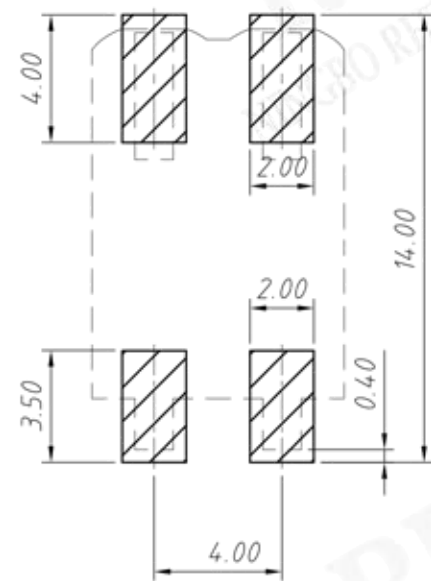
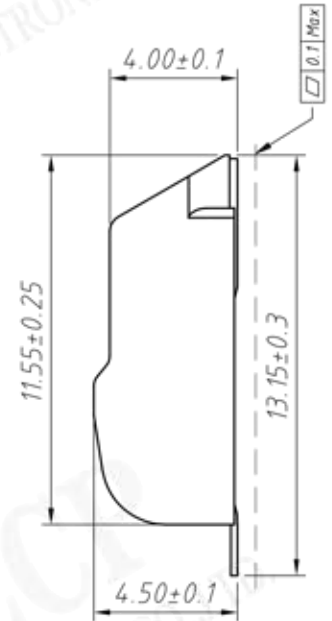
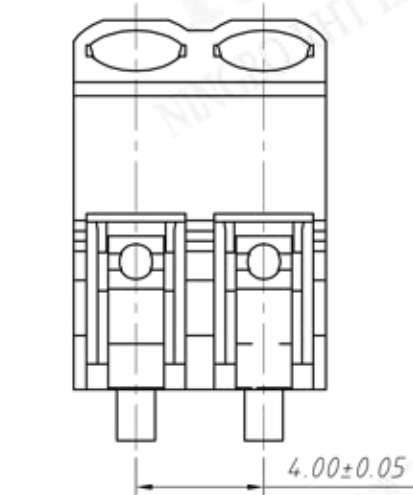
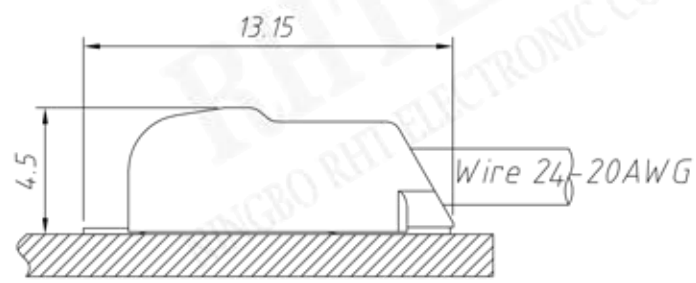


MATERIAL
 Insulator:LCP,UL 94 V-0,Beige
 Contacts:Phosphor Bronze,Tin-plated



Main Specifications
 Poles:02P
 Contact Resistance:≤20mΩ
 Insulation Resistance:≥800MΩ
 Rated Voltage:250V AC DC
 Rated Current:6.0A AC DC
 Withstanding Voltage:800V AC/minute
 Temperature Range: -25 °C ~ +105 °C



Board Layout

Order Information
 RE - C - L13 - 02P
 └──┬──┘
 └──┬──┘
 Number of Poles
 Series No.

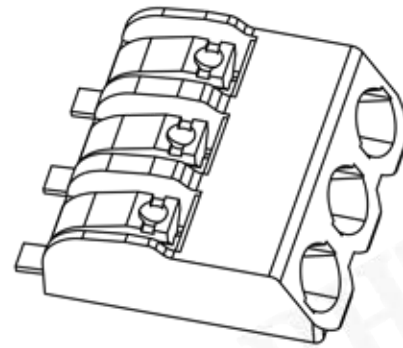
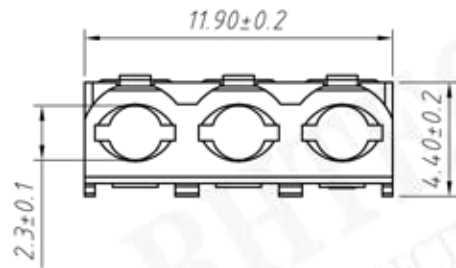


NINGBO RHT ELECTRONIC CO.,LTD

UNITS:mm	SHEET SIZE:A4		SCALE:---
>0~3	>3~18	>18~50	>50~120
±0.12	±0.15	±0.3	±0.5

RE-C-L13-02P

CONNECTORS



MATERIAL

Insulator:LCP,UL 94V-0,Beige

Contacts:Phosphor Bronze,Tin-plated

Main Specifications

Poles:03P

Contact Resistance: $\leq 20m\Omega$

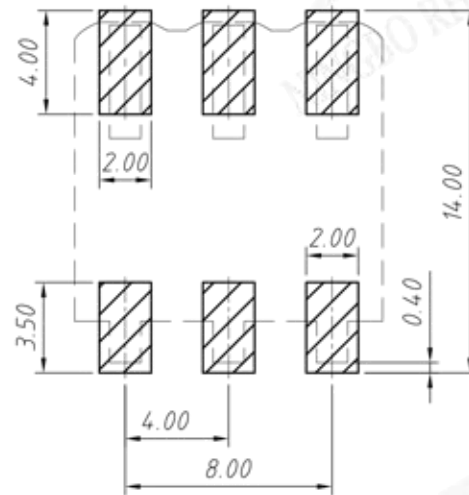
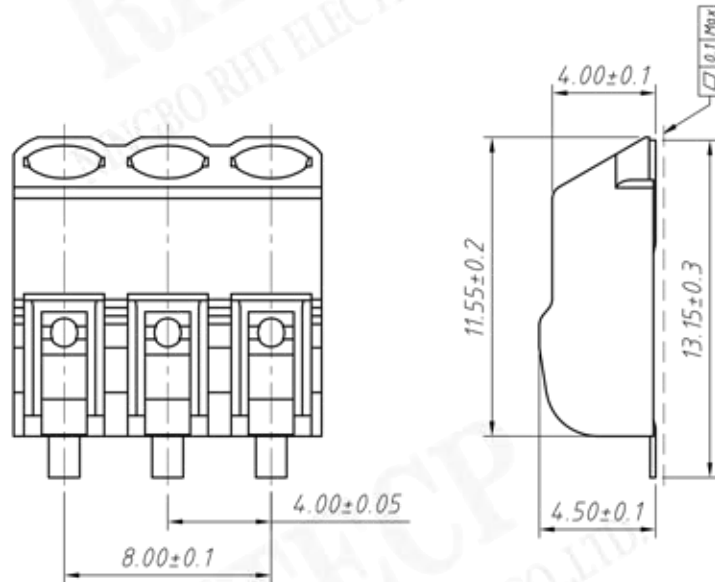
Insulation Resistance: $\geq 800M\Omega$

Rated Voltage:250V AC DC

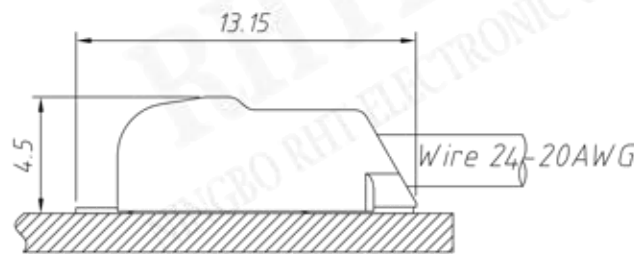
Rated Current:6.0A AC DC

Withstanding Voltage:800V AC/minute

Temperature Range: $-25^{\circ}C \sim +105^{\circ}C$



Board Layout



Installation drawing

Order Information

RE - C - L13 - 03P

Number of Poles

Series No.



NINGBO RHT ELECTRONIC CO.,LTD

UNITS:mm

SHEET SIZE:A4

SCALE:---

>0~3

>3~18

>18~50

>50~120

RE-C-L13-03P

±0.12

±0.15

±0.3

±0.5

CONNECTORS