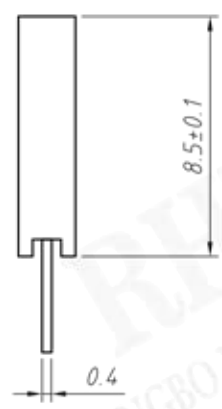
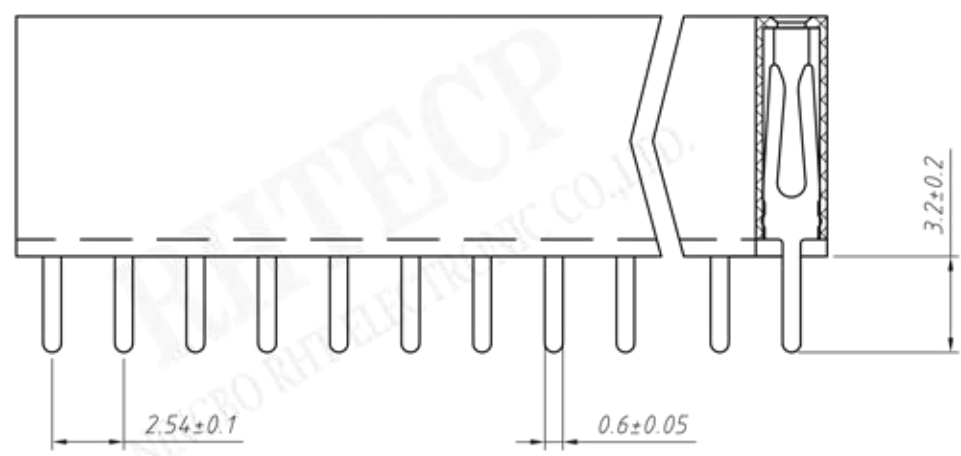


Recommended PCB Hole Layout

Material:
 Standard: PBT/PA6T
 Contact: Brass
 Plating: Au or Sn Over Ni
 Insulator: Polyester, UL94V-0

Electrical Characteristics:
 Rated Current: 3.0AMP
 Contact Resistance: 20mΩ Max
 Withstand Voltage: 1000V AC/DC
 Insulator Resistance: 1000MΩ Min

Mechanical
 Operating Temperature: -40°C ~ +105°C
 Max. Processing Temp: 180°C for 30-60 seconds (200°C for 10 seconds)



Order Information:
 RE-C-208-1-XX-S-B

Pin Header Series
 208: 2.54mm
 Per Row: Single layer
 Pin: No. of Pins (1x40)
 Type: Straight Pin
 Material: A=PBT B=PA6T C=LCP

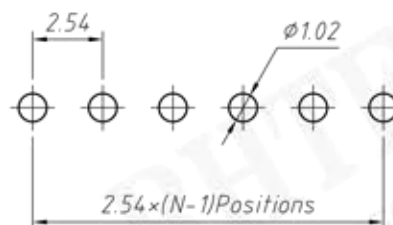
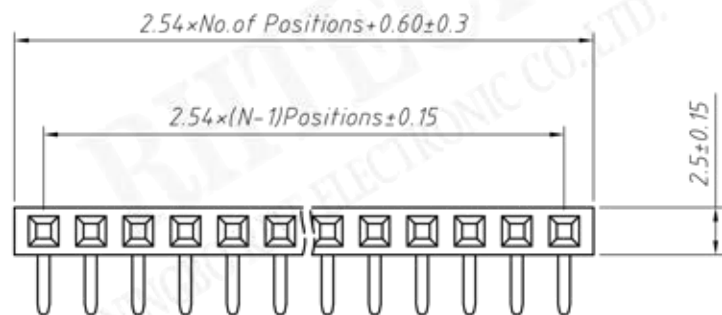


NINGBO RHT ELECTRONIC CO.,LTD

UNITS: mm	SHEET SIZE: A4		SCALE: ---
>0~3	>3~18	>18~50	>50~120
±0.12	±0.15	±0.3	±0.5

RE-C-208-1-XX-S-B

CONNECTORS

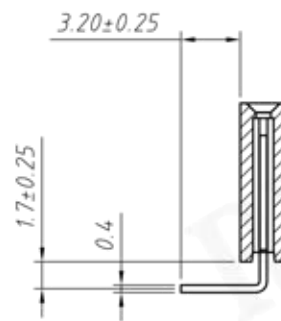
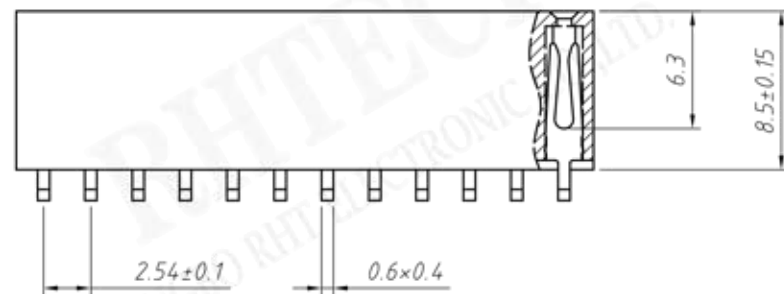


Recommended PCB Hole Layout

Material:
 Standard: PBT/PA6T
 Contact: Brass
 Contact plating: Au or Sn Over Ni
 Nickel Insulator: Polyester, UL94V-0

Electrical Characteristics:
 Rated Current: 3.0AMP
 Contact Resistance: 20mΩ Max
 Withstand Voltage: 1000V AC/DC
 Insulator Resistance: 1000MΩ Min

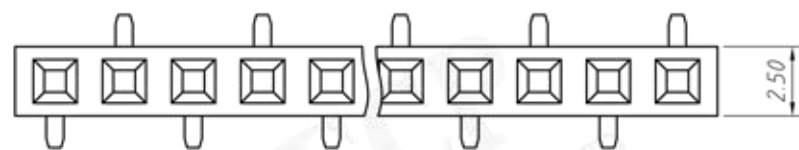
Mechanical
 Operating Temperature: $-40^{\circ}\text{C} \sim +105^{\circ}\text{C}$
 Max. Processing Temp: 180°C for 30-60 seconds (200°C for 10 seconds)



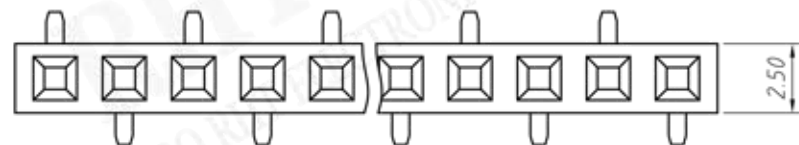
Order Information:

RE-C-208-1-XX-R-B

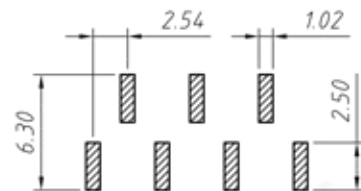
Pin Header Series—
 208: 2.54mm
 Per Row: Single layer
 Pin: No. of Pins (1x40)
 Type: Right Angle Pin
 Material: A=PBT B=PA6T C=LCP



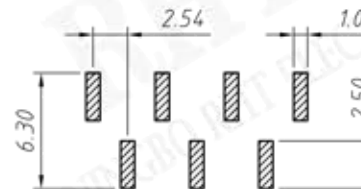
T2 Type



T1 Type



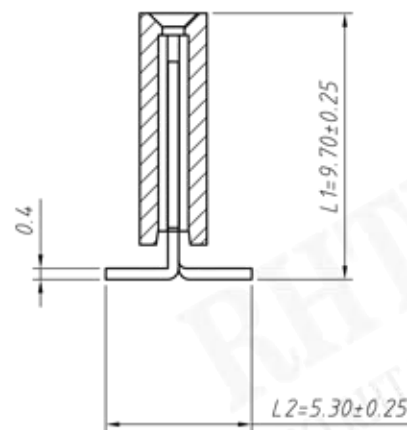
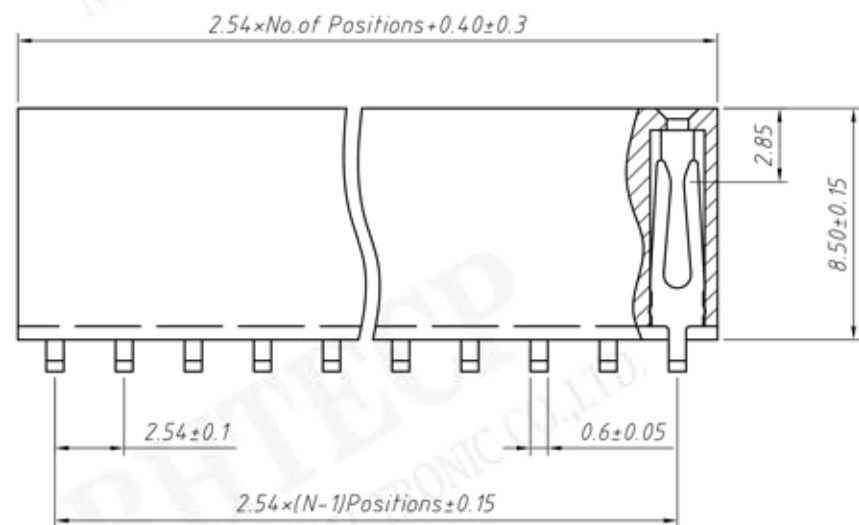
Recommended PCB Hole Layout



Material:
Standard:PA6T
Contact:Brass
Contact plating: Au or Sn over 50u" Ni
Nickel Insulator: Polyester, UL 94 V-0

Electrical Characteristics:
Rated Current: 3.0AMP
Contact Resistance: 20mΩ Max
Withstand Voltage: 1000V AC/DC
Insulator Resistance: 1000MΩ Min

Mechanical
Operating Temperature: -40°C ~ +105°C
Max. Processing Temp: 230°C for 30-60 seconds (260°C for 10 seconds)



Order Information:

RE-C-208-1-XX-T1-L1xL2-N-B-R

Pin Header Series

208:2.54mm

Per Row: Single layer

Pin: No. of Pins (1x40)

SMT Pin: T1 Type, T2 Type

Size: L1xL2

Post: W=With Post N=W/O Post

Material: A=PBT B=PA6T C=LCP

Packing:

A=Tray T=Tube M=Reel+Mylar

P=Tube+Cap R=Reel+Cap

Dimension antitheses list (mm)			
ITEM	L1	L2	Plastic Height
Standard	9.70	5.30	8.50
Nonstandard	---	---	---

RHTECP NINGBO RHT ELECTRONIC CO.,LTD

UNITS:mm

SHEET SIZE:A4

SCALE:---

>0~3

>3~18

>18~50

>50~120

±0.12

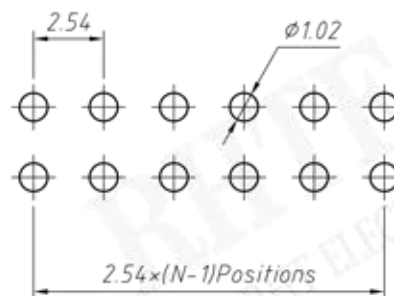
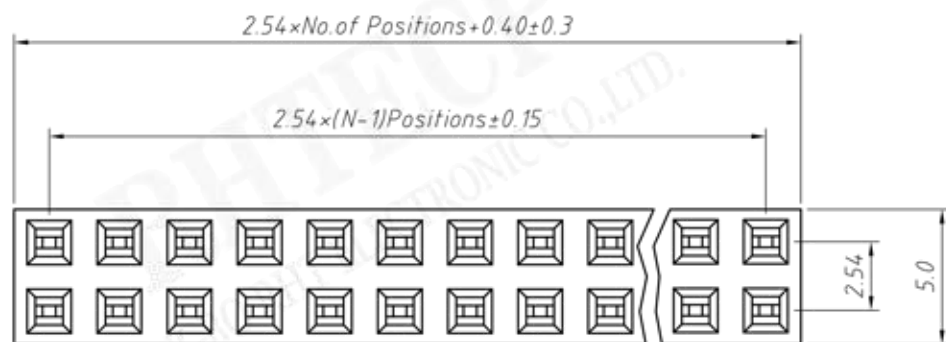
±0.15

±0.3

±0.5

RE-C-208-1-XX-T1-L1xL2-N-B-R

CONNECTORS

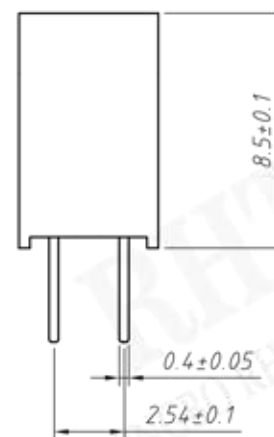
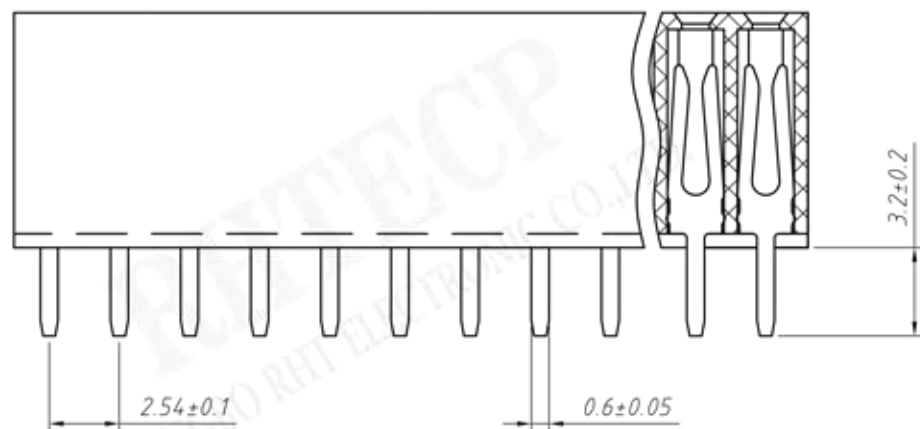


Recommended PCB Hole Layout

Material:
 Standard: PBT/PA6T
 Contact: Brass
 Contact plating: Gold Flash all over
 Nickel Insulator: Polyester, UL94V-0

Electrical Characteristics:
 Rated Current: 3.0AMP
 Contact Resistance: 20mΩ Max
 Withstand Voltage: 1000V AC/DC
 Insulator Resistance: 1000MΩ Min

Mechanical
 Operating Temperature: -40°C ~ +105°C
 Max. Processing Temp: 180°C for 30-60 seconds (200°C for 10 seconds)

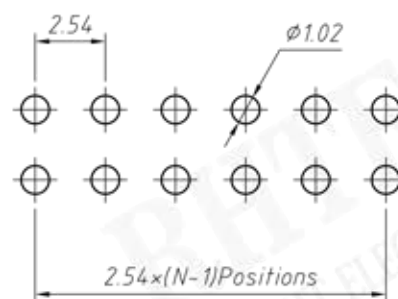
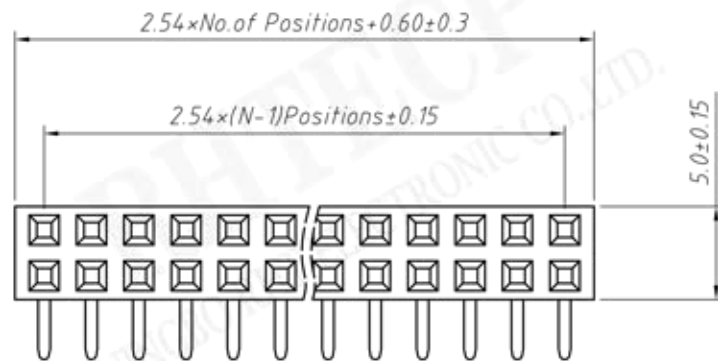


Order Information:

RE-C-208-2-XX-S-B

Pin Header Series
 208: 2.54mm
 Per Row: Double layer
 Pin: No. of Pins (2x40)
 Type: Straight Pin
 Material: A=PBT B=PA6T C=LCP

UNITS: mm	SHEET SIZE: A4		SCALE: ---
>0~3	>3~18	>18~50	>50~120
±0.12	±0.15	±0.3	±0.5

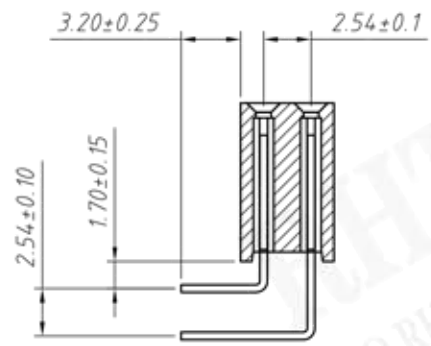
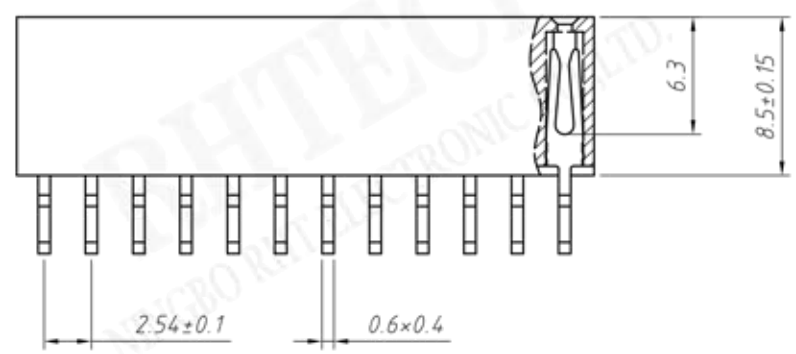


Recommended PCB Hole Layout

Material:
 Standard: PBT/PA6T
 Contact: Brass
 Contact plating: Au or Sn Over Ni
 Nickel Insulator: Polyester, UL94V-0

Electrical Characteristics:
 Rated Current: 3.0AMP
 Contact Resistance: 20mΩ Max
 Withstand Voltage: 1000V AC/DC
 Insulator Resistance: 1000MΩ Min

Mechanical
 Operating Temperature: $-40^{\circ}\text{C} \sim +105^{\circ}\text{C}$
 Max. Processing Temp: 180°C for 30-60 seconds (200°C for 10 seconds)

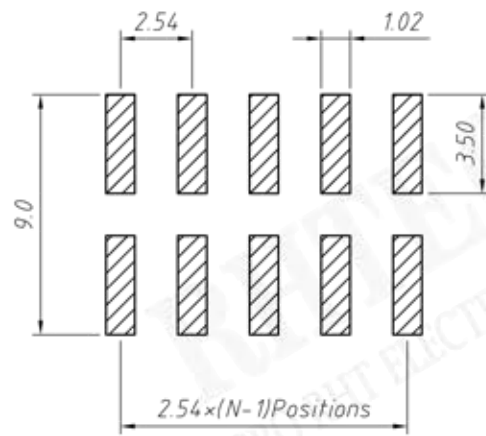
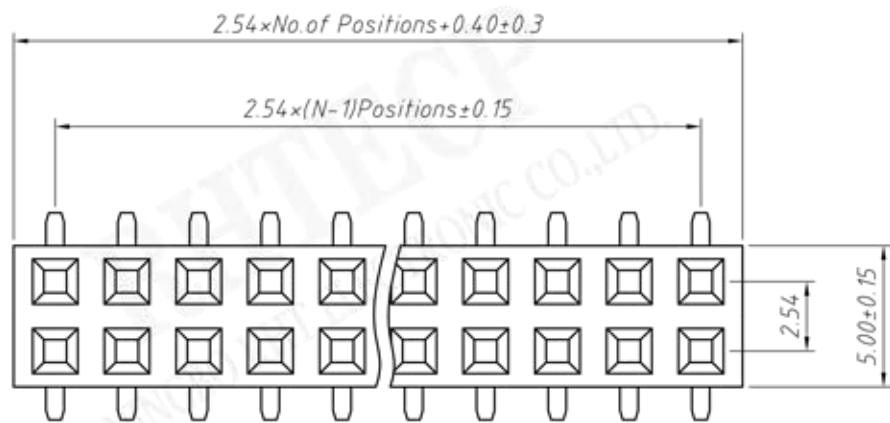


Order Information:

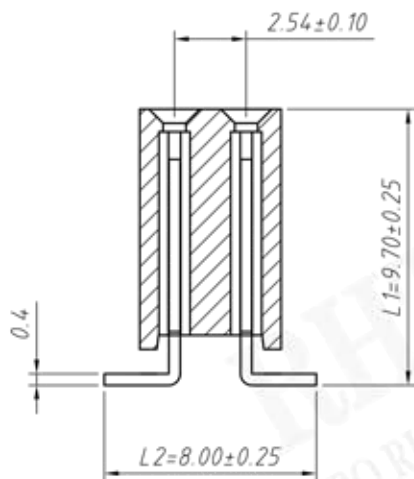
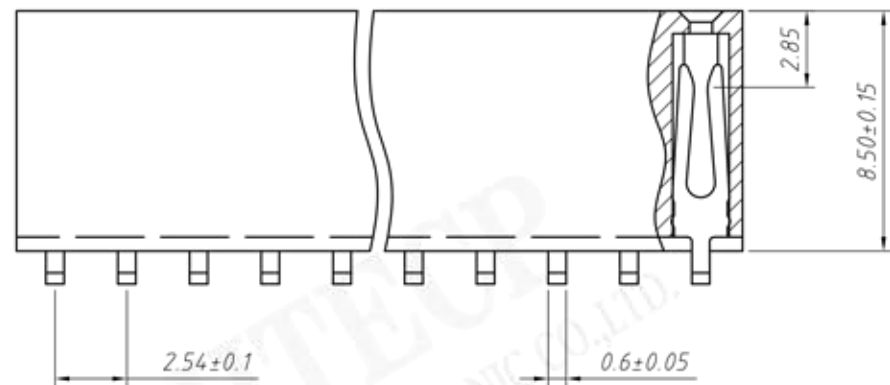
RE-C-208-2-XX-R-B

Pin Header Series
 208: 2.54mm
 Per Row: Double layer
 Pin: No. of Pins (2x40)
 Type: Right Angle Pin
 Material: A=PBT B=PA6T C=LCP

UNITS: mm	SHEET SIZE: A4		SCALE: ---
>0~3	>3~18	>18~50	>50~120
±0.12	±0.15	±0.3	±0.5



Recommended PCB Hole Layout



Material:
 Standard: PA6T
 Contact: Brass
 Contact plating: Au or Sn over 50u" Ni
 Nickel Insulator: Polyester, UL 94 V-0

Electrical Characteristics:
 Rated Current: 3.0AMP
 Contact Resistance: 20mΩ Max
 Withstand Voltage: 1000V AC/DC
 Insulator Resistance: 1000MΩ Min

Mechanical
 Operating Temperature: -40°C ~ +105°C
 Max. Processing Temp: 230°C for 30-60 seconds (260°C for 10 seconds)

Order Information:
 RE-C-208-2-XX-T-L1xL2-B-R

Pin Header Series
 208: 2.54mm
 Per Row: Double layer
 Pin: No. of Pins (2x40)
 SMT Pin:
 T=Without Post, T3=With Post
 Size: L1xL2
 Material: A=PBT B=PA6T C=LCP
 Packing:
 A=Tray T=Tube M=Reel+Mylar
 P=Tube+Cap R=Reel+Cap

Dimension antitheses list (mm)

ITEM	L1	L2	Plastic Height
Standard	9.70	8.00	8.50
Nonstandard	---	---	---



NINGBO RHT ELECTRONIC CO.,LTD

UNITS: mm

SHEET SIZE: A4

SCALE: ---

>0~3

>3~18

>18~50

>50~120

±0.12

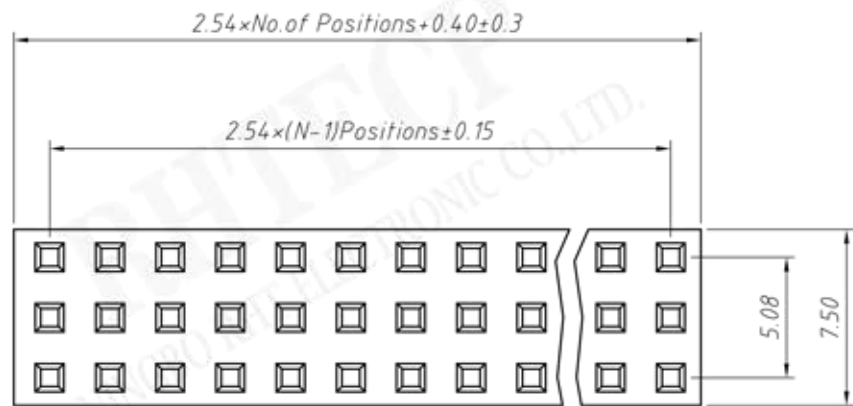
±0.15

±0.3

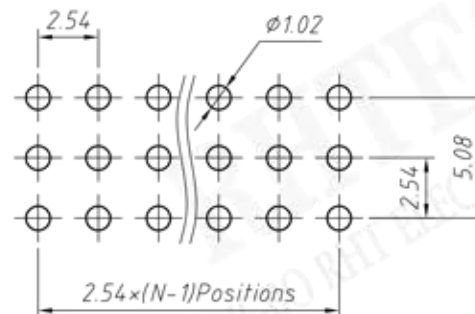
±0.5

RE-C-208-2-XX-T-L1xL2-B-R

CONNECTORS



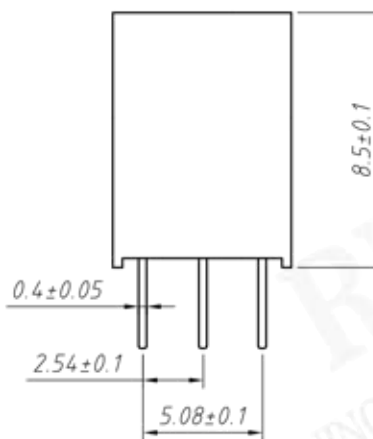
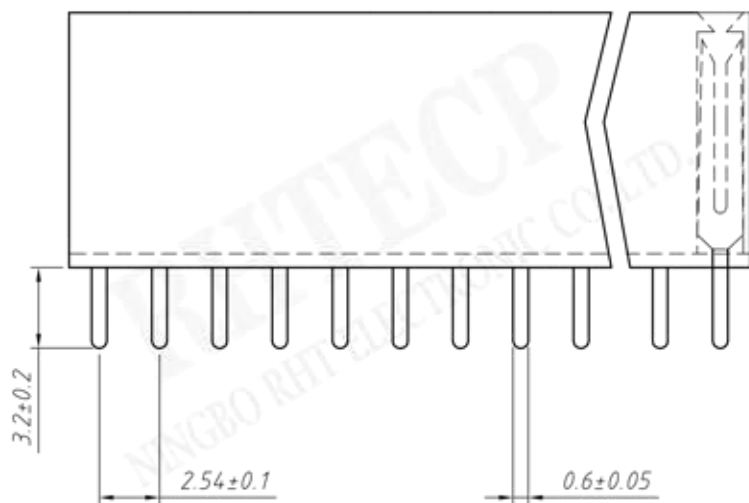
Recommended P.C.Board Layout
PCB TOLERANCE ± 0.05 (TOP VIEW)



Material:
 Standard: PBT/PA6T
 Contact: Phosphor bronze
 Plating: 1u" Min Gold Plating Over All 30u"
 Min Nickel Underplating Over All
 Insulator: Polyester, UL94V-0

Electrical Characteristics:
 Rated Current: 3.0AMP
 Contact Resistance: 20mΩ Max
 Withstand Voltage: 1000V AC/DC
 Insulator Resistance: 1000MΩ Min

Mechanical
 Operating Temperature: $-40^{\circ}\text{C} \sim +105^{\circ}\text{C}$



Order Information:

RE-C-208-3-XX-S-A

Pin Header Series
 208: 2.54mm
 Per Row: Three layer
 Pin: No. of Pins (3x40)
 Type: Straight Pin
 Material: A=PBT B=PA6T C=LCP

RHTECP NINGBO RHT ELECTRONIC CO.,LTD

UNITS: mm

SHEET SIZE: A4

SCALE: ---

RE-C-208-3-XX-S-A

>0~3

>3~18

>18~50

>50~120

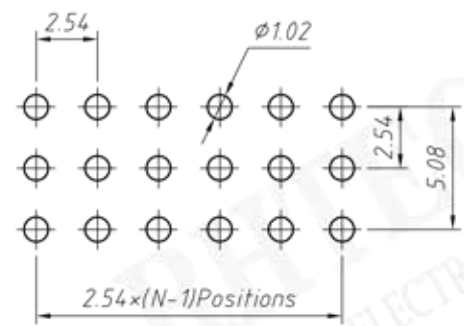
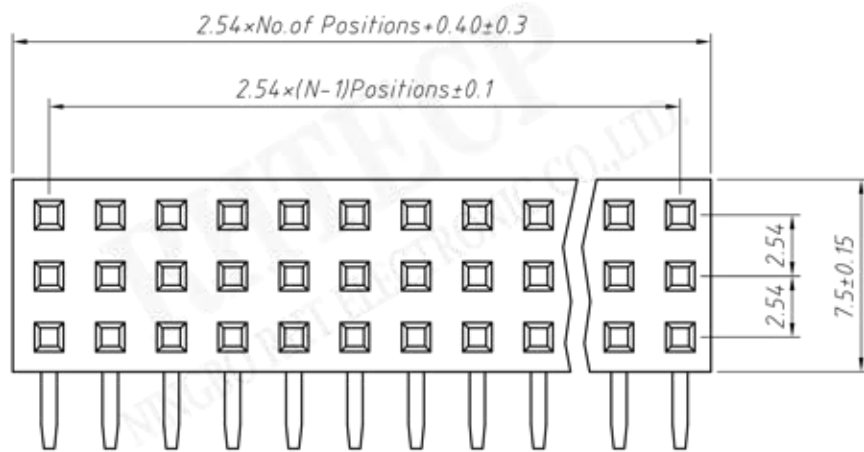
± 0.12

± 0.15

± 0.3

± 0.5

CONNECTORS

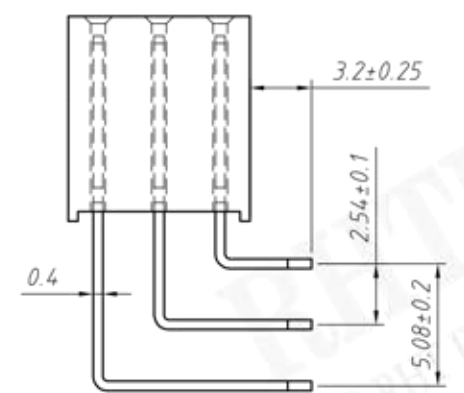
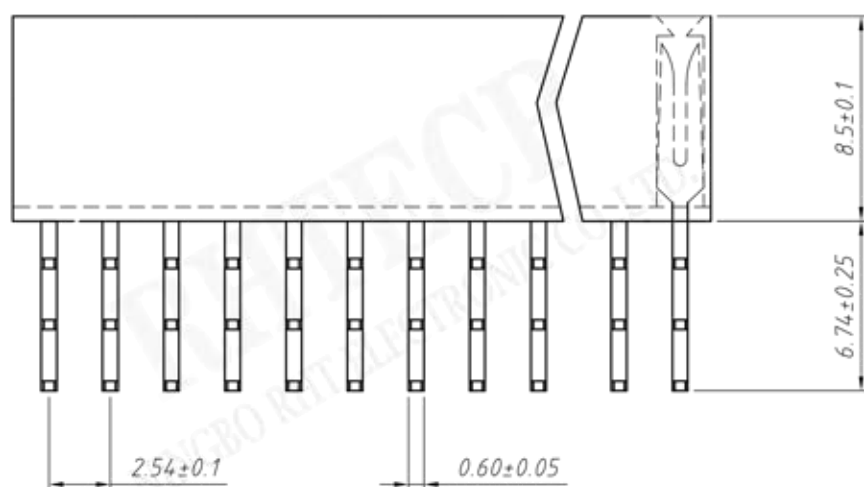


Recommended P.C. Board Layout
PCB TOLERANCE ± 0.05 (TOP VIEW)

Material:
Standard: PBT/PA6T
Contact: Brass
Plating: Au or Sn Over 50u" Ni
Insulator: Polyester, UL94V-0

Electrical Characteristics:
Rated Current: 3.0AMP
Contact Resistance: 20mΩ Max
Withstand Voltage: 1000V AC/DC
Insulator Resistance: 1000MΩ Min

Mechanical
Operating Temperature: -40°C ~ +105°C
Max. Processing Temp: 180°C for 30-60 seconds (200°C for 10 seconds)



Order Information:
RE-C-208-3-XX-R-A

Pin Header Series
208: 2.54mm
Per Row: Three layer
Pin: No. of Pins (3x40)
Type: Right Angle Pin
Material: A=PBT B=PA6T C=LCP

RHTECP NINGBO RHT ELECTRONIC CO.,LTD

UNITS: mm	SHEET SIZE: A4		SCALE: ---
>0~3	>3~18	>18~50	>50~120
±0.12	±0.15	±0.3	±0.5

RE-C-208-3-XX-R-A
CONNECTORS