

Potentiometer

Cermet Potentiometer Series

3296 Cermet Potentiometer Series

Electrical Characteristics

Standard Resistance Range: 10Ω~ 2MΩ

Resistance Tolerance:±10%

Terminal Resistance:≤1% R or 2Ω Max.

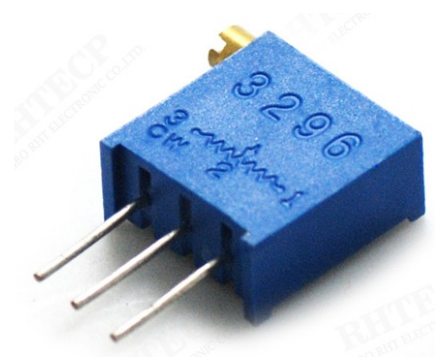
Contact resistance variation:CRV ≤3% R or 5Ω Max

Insulation Resistance: $R_i \geq 1G\Omega$

Withstand Voltage:101.3kPa 600V,8.5kPa 360V

Wiper Current Max.: 100mA

Electrical Travel:30±2 turns nom



Environment Characteristics

Power Rating (300 volts max.):+70°C 0.5W,+125°C 0W

Temperature Range:-55°C ~ +125°C

Temperature Coefficient:±250ppm/°C;±100ppm/°C

Temperature Variation: $\Delta R \leq \pm 2\% R, (U_{ab} / U_{ac}) \leq \pm 1\%$

Vibration:390m/s²,4000 times $\Delta R \leq \pm 1\% R$

Collision:10~500Hz,0.75mm,or 98m/s²,6h, $\Delta R \leq \pm 1\%$, $R^{\Delta}(U_{ab} / U_{ac}) \leq \pm 2\%$

Climate Category: $\Delta R \leq \pm 3\% R, R_i \geq 100M\Omega$

Electrical Endurance at 70°C: 0.5W,1000h, $\Delta R \leq \pm 3\% R$

Mechanical Endurance:200cycles, $\Delta R \leq 10\% R$, CRV ≤3% R or 5Ω

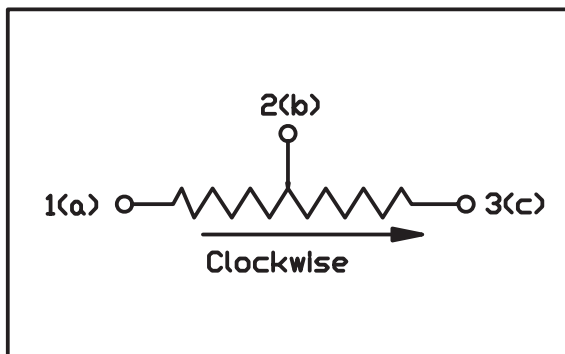
Steady Damp-Heat: $\Delta R \leq \pm 3\% R, R_i \geq 100M\Omega$

Physical Characteristics

Total mechanical travel:30±2 turns nom

Starting torque:≤35mN.m

Standard packaging:50pcs/tube



Resistance (Ω)	Code
10	100
20	200
50	500
100	101
200	201
500	501
1000	102
2000	202
10000	103
20000	203
50000	503
100000	104
200000	204
500000	504
1000000	105
2000000	205

ORDER INFORMATION

Product NO.: 3296 W-103

Pos. NO. _____ 103:Resistance Code
 3296:Model _____ W:Style

Potentiometer

Cermet Potentiometer Series

3296 Cermet Potentiometer Series

