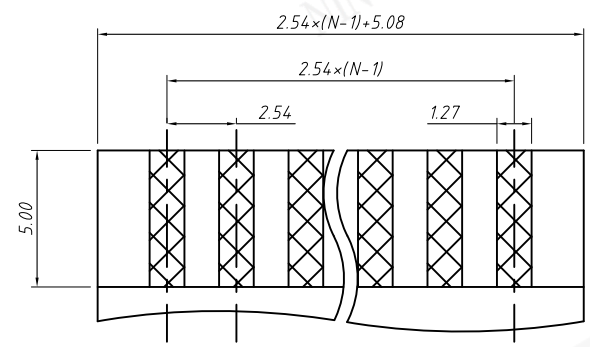
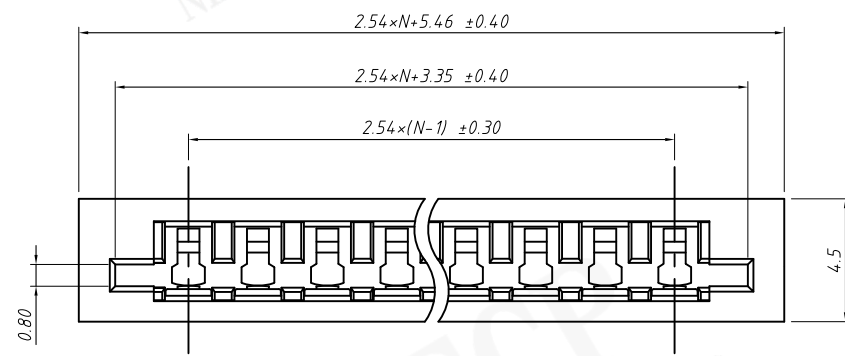


**Material**  
 Insulator: Glass-Reinforced Thermoplastic  
 Contact: Copper Alloy,  
 Tin/Lead Plated Over Nickel

**Electrical**  
 Voltage rating: 250 V  
 Current rating: 1 A  
 Withstanding Voltage: 1000 V  
 Insulation resistance: 5000MΩ.Min.  
 Contact resistance: 25 mΩ.max.

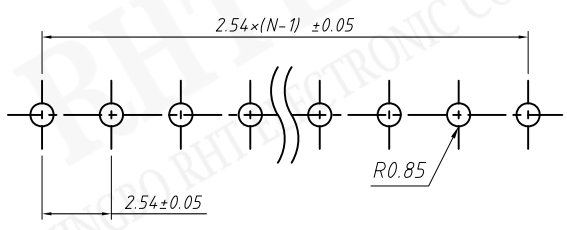
**Mechanical**  
 Temp. Range: -40 °C ~ +105 °C



Proper Cable

**Order Information**

RE - C - 219 - XX - S  
 S - Straight Pin  
 No. of pins (03~21 pin)  
 Series No.

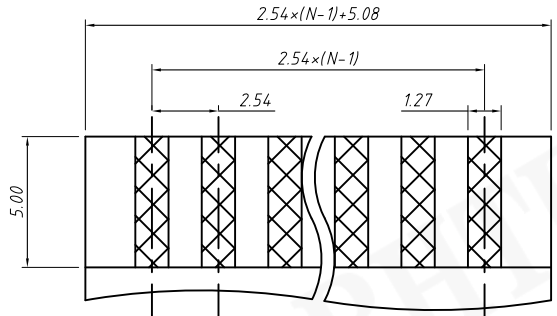
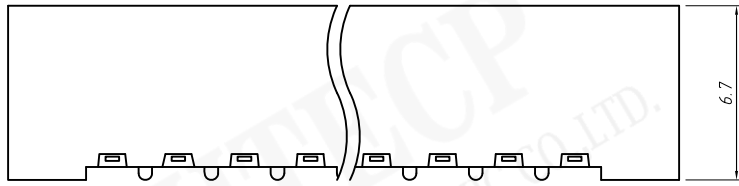


PCB Layout

**RHTECP** NINGBO RHT ELECTRONIC CO.,LTD

| UNITS:mm | SHEET SIZE:A4 |        | SCALE:--- |
|----------|---------------|--------|-----------|
| >0~3     | >3~18         | >18~50 | >50~120   |
| ±0.12    | ±0.15         | ±0.3   | ±0.5      |

RE - C - 219 - XX - S  
 CONNECTORS

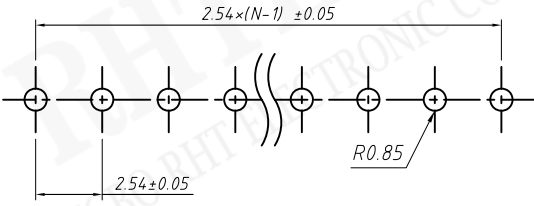
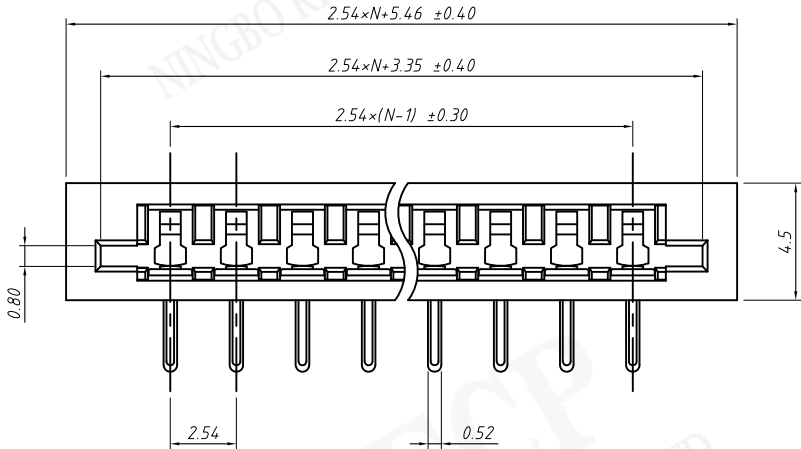
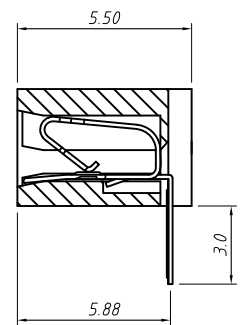


**Material**  
 Insulator: Glass-Reinforced Thermoplastic  
 Contact: Copper Alloy,  
 Tin/Lead Plated Over Nickel

**Electrical**  
 Voltage rating: 250 V  
 Current rating: 1 A  
 Withstanding Voltage: 1000 V  
 Insulation resistance: 5000M $\Omega$ .Min.  
 Contact resistance: 25 m $\Omega$ .max.

**Mechanical**  
 Temp. Range: -40 °C ~ +105 °C

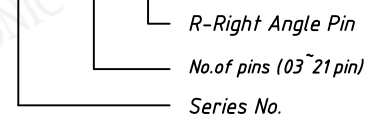
Proper Cable



PCB Layout

**Order Information**

RE - C - 219 - XX - R



| UNITS:mm | SHEET SIZE:A4 |        | SCALE:--- |
|----------|---------------|--------|-----------|
| >0~3     | >3~18         | >18~50 | >50~120   |
| ±0.12    | ±0.15         | ±0.3   | ±0.5      |