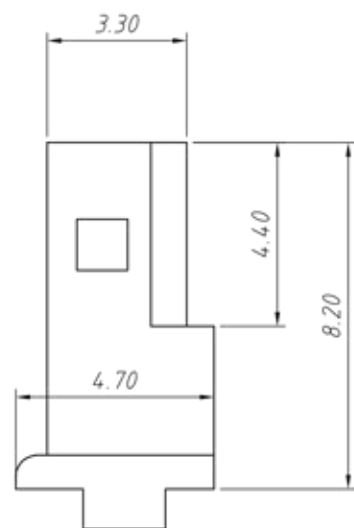
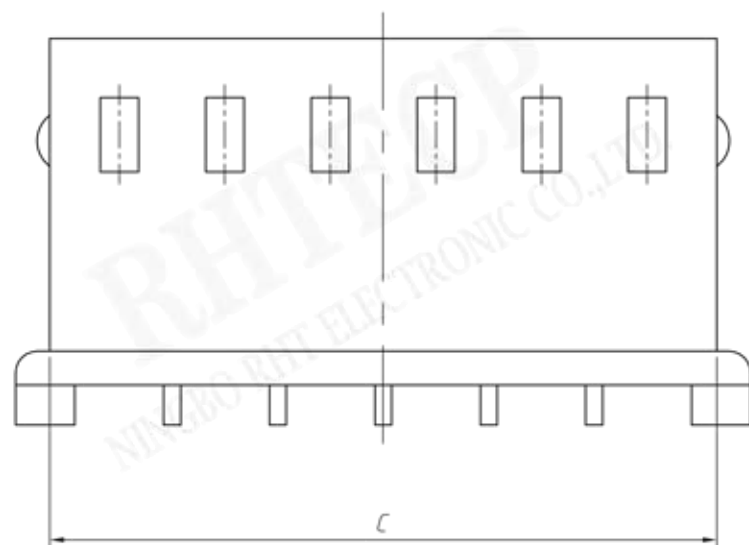


Pin	Dimensions(mm)		
	A	B	C
02	2.50	7.40	5.85
03	5.00	9.90	8.35
04	7.50	12.40	10.85
05	10.00	14.90	13.35
06	12.50	17.40	15.85
07	15.00	19.90	18.35
08	17.50	22.40	20.85
09	20.00	24.90	23.35
10	22.50	27.40	25.85
11	25.00	29.90	28.35
12	27.50	32.40	30.85
13	30.00	34.90	33.35
14	32.50	37.40	35.85
15	35.00	39.90	38.35
16	37.50	42.40	40.85

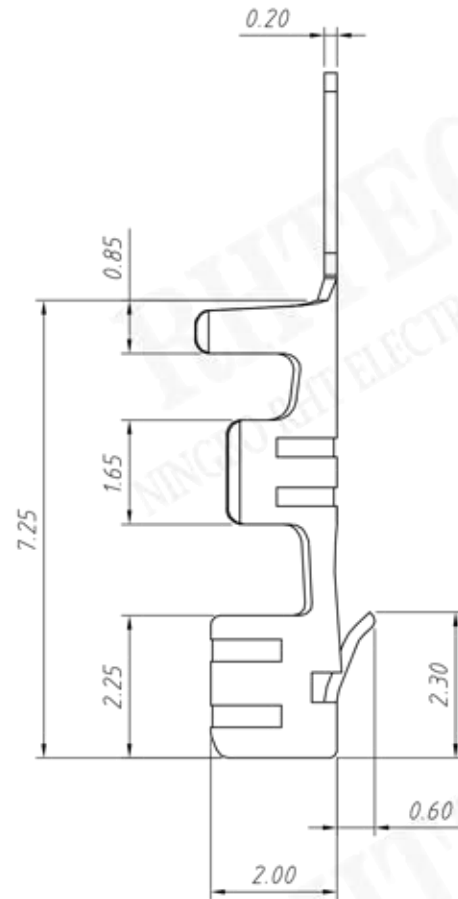
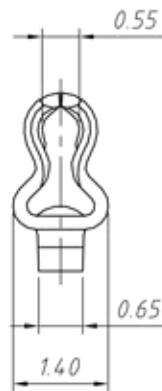
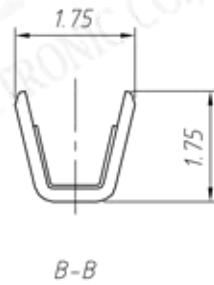
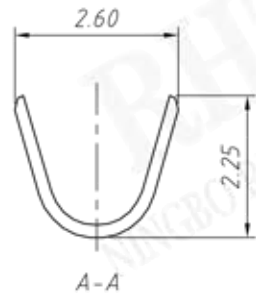
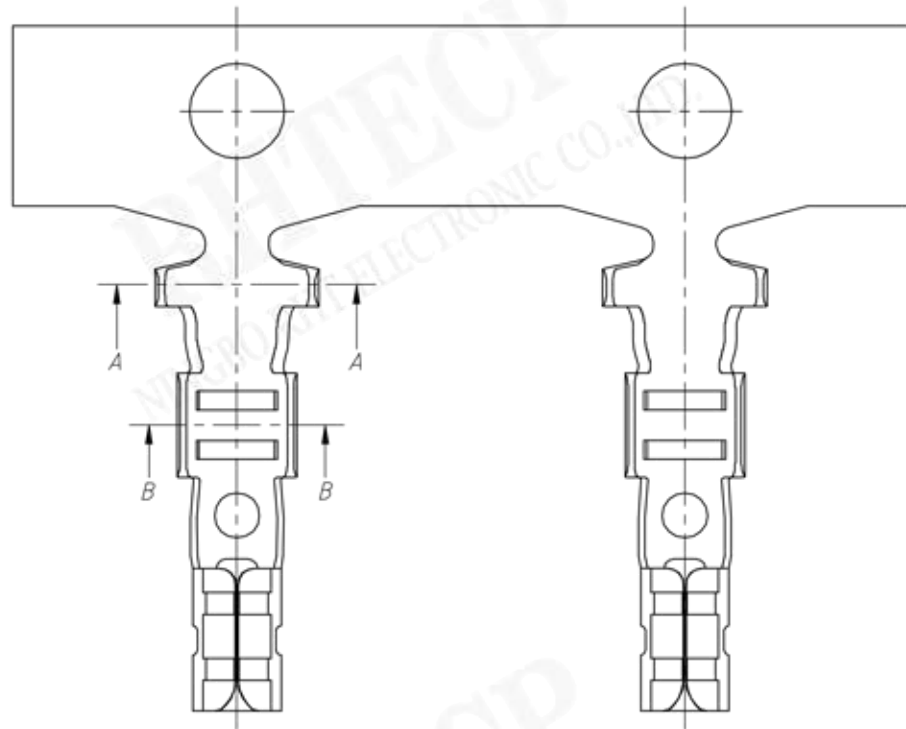


Material:
Housing:PA66,UL94V-0,Natural

Electrical Characteristics:
Rated Current:3.0AMP
Voltage rating:250V AC,DC
Temperature range:-25°C~+85°C
Insulator Resistance:1000MΩ Min
Withstanding Voltage:1000V AC/minute
Contact Resistance:20mΩ Max

Order Information:
RE-C-XL4-2.50-XX-H

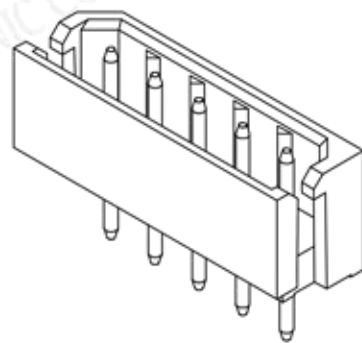
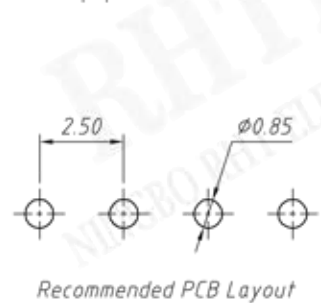
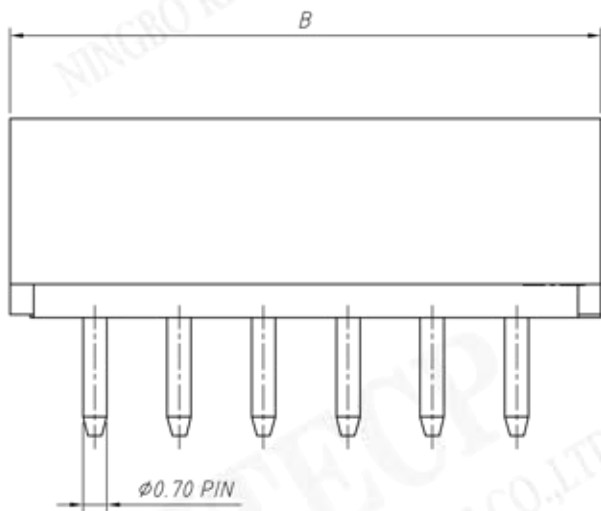
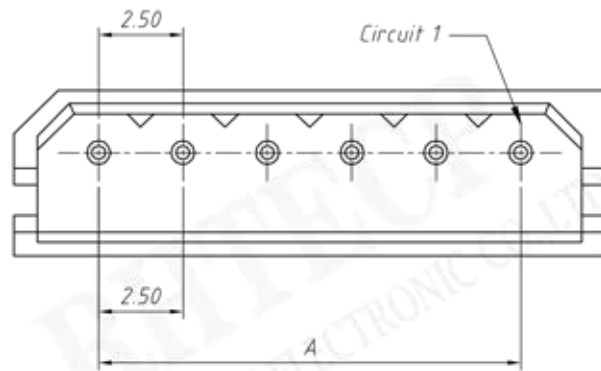
Pitch:2.50mm
XX-No.of 02~16 pins
Type: _____
T-Terminal H-Hosing
S-Straight male pin
R-Right angle male pin



Material:
 Terminal: Phosphor Bronze
 Plating: Tin plated
 Applicable wires: AWG #22 ~ #28
 Insulation O.D.: 1.9mm
 Qty/reel: 10000 pcs

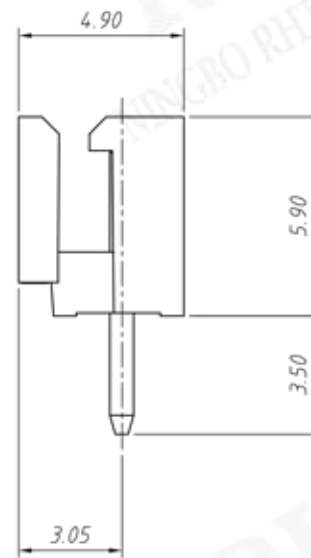
Electrical Characteristics:
 Rated Current: 3.0AMP
 Voltage rating: 250V AC, DC
 Temperature range: -25°C ~ +85°C
 Insulator Resistance: 1000MΩ Min
 Withstanding Voltage: 1000V AC/minute
 Contact Resistance: 20mΩ Max

Order Information:
 RE-C-XL4-2.50-T
 Pitch: 2.50mm
 Type:
 T-Terminal H-Hosing
 S-Straight male pin
 R-Right angle male pin



Material:
 Housing: PA66, UL 94V-0, Natural
 Contact: Brass
 Plating: Tin plate

Electrical Characteristics:
 Rated Current: 3.0AMP
 Voltage rating: 250V AC, DC
 Temperature range: -25°C ~ +85°C
 Insulator Resistance: 1000MΩ Min
 Withstanding Voltage: 1000V AC/minute
 Contact Resistance: 20mΩ Max



Pin	Dimensions (mm)	
	A	B
02	2.50	7.50
03	5.00	10.00
04	7.50	12.50
05	10.00	15.00
06	12.50	17.50
07	15.00	20.00
08	17.50	22.50
09	20.00	25.00
10	22.50	27.50
11	25.00	30.00
12	27.50	32.50
13	30.00	35.00
14	32.50	37.50
15	35.00	40.00
16	37.50	42.50

Order Information:
 RE-C-XL4-2.50-XX-S

Pitch: 2.50mm

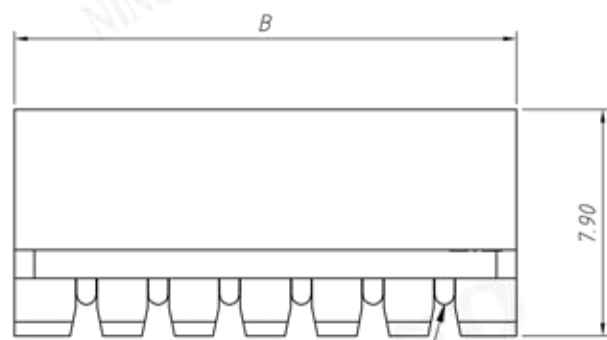
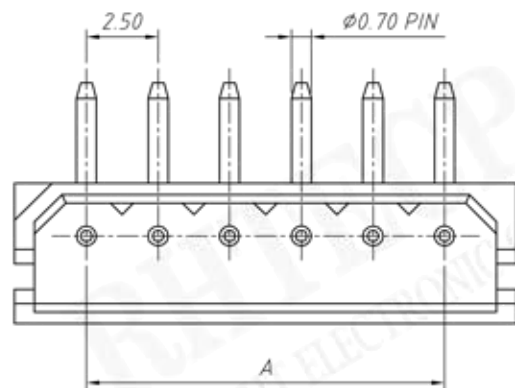
XX-No. of 02 ~ 16 pins

Type:

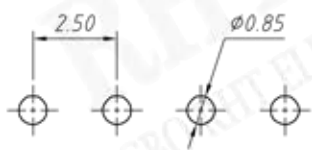
T-Terminal H-Hosing

S-Straight male pin

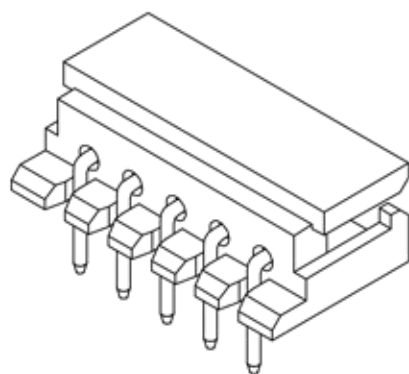
R-Right angle male pin



Circuit 1



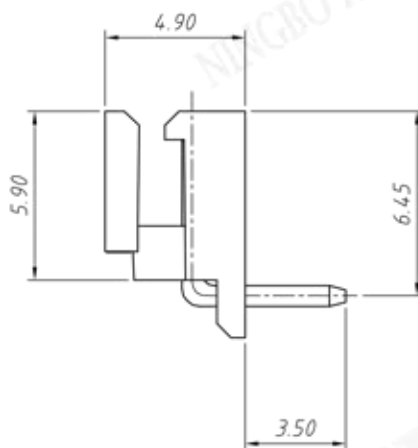
Recommended PCB Layout



Material:
Housing: PA66, UL94V-0, Natural
Contact: Brass
Plating: Tin plate

Electrical Characteristics:
Rated Current: 3.0AMP
Voltage rating: 250V AC, DC
Temperature range: -25°C ~ +85°C
Insulator Resistance: 1000MΩ Min
Withstanding Voltage: 1000V AC/minute
Contact Resistance: 20mΩ Max

Pin	Dimensions (mm)	
	A	B
02	2.50	7.50
03	5.00	10.00
04	7.50	12.50
05	10.00	15.00
06	12.50	17.50
07	15.00	20.00
08	17.50	22.50
09	20.00	25.00
10	22.50	27.50
11	25.00	30.00
12	27.50	32.50
13	30.00	35.00
14	32.50	37.50
15	35.00	40.00
16	37.50	42.50



Order Information:

RE-C-XL4-2.50-XX-R

Pitch: 2.50mm

XX-No. of 02~16 pins

Type:

T-Terminal H-Hosing

S-Straight male pin

R-Right angle male pin