

PCB Layout

**Material:**

Housing: PBT+Glass Filled Polyester

Flammability Rating : UL94V-0

Contacts: Phosphor Bronze

Plating: Gold Plating

**Electrical:**

Voltage Rating: 125VAC

Current Rating: 1.5A

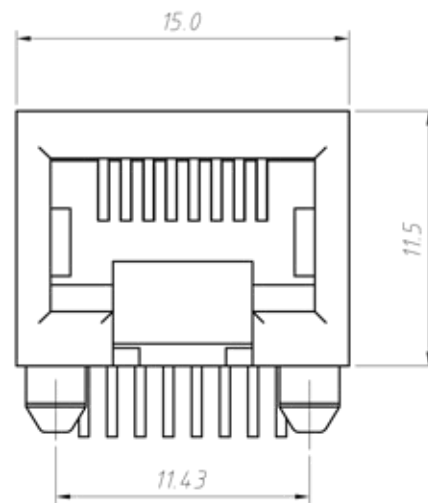
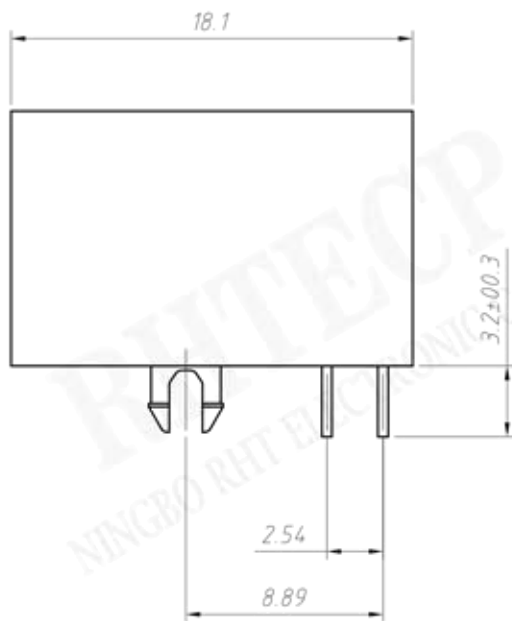
Contact Resistance: 30mΩ Max.

Insulation Resistance: 500MΩ Min.

Dielectric Strength: 1000VAC Rms 50Hz,1 Min.

Durability: 600 cycles Min.

Operation Temperature:-40°C~+70°C



**Order Information**

RE - C - 311 - 8P8C - X - XX

Contacts: 8P8C

Color Code:

1-Black

2-Gray

Plating Code:

01-Fu" Gold Plating

02-3u" Gold Plating

03-6u" Gold Plating

04-15u" Gold Plating

05-30u" Gold Plating



NINGBO RHT ELECTRONIC CO.,LTD

UNITS:mm

SHEET SIZE:A4

SCALE:---

RE - C - 311 - 8P8C - X - XX

>0~3

>3~18

>18~50

>50~120

±0.12

±0.15

±0.3

±0.5

CONNECTORS