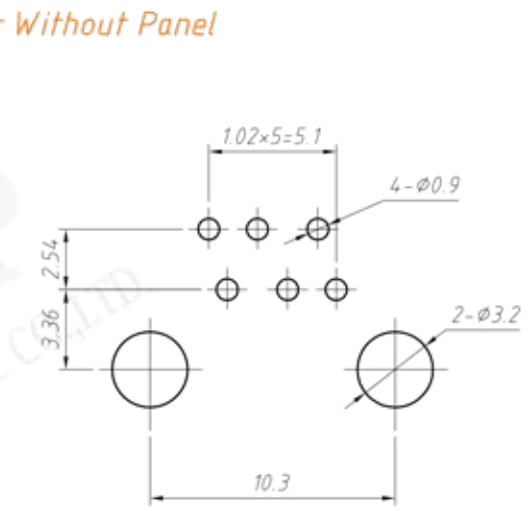
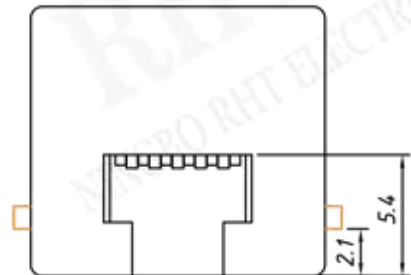
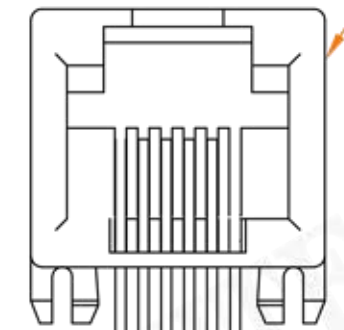


Material:
 Housing: PBT+Glass Filled Polyester
 Flammability Rating: UL94V-0
 Contacts: Phosphor Bronze $\phi 0.46\text{mm}$
 Plating: Gold Plating

Electrical:
 Voltage Rating: 125VAC
 Current Rating: 1.5A
 Contact Resistance: $30\text{m}\Omega$ Max.
 Insulation Resistance: $500\text{M}\Omega$ Min.
 Dielectric Strength: 1000VAC Rms 50Hz, 1 Min.
 Durability: 600 cycles Min.
 Operation Temperature: $-40^{\circ}\text{C} \sim +70^{\circ}\text{C}$



Order Information

RE - C - 317 - 6P6C - X - 1 - XX

Contacts: 6P6C

Panel Code:

W-With Panel

W/O-Without Panel

Plating Code:

01-Fu" Gold Plating

02-3u" Gold Plating

03-6u" Gold Plating

04-15u" Gold Plating

05-30u" Gold Plating



NINGBO RHT ELECTRONIC CO.,LTD

UNITS:mm	SHEET SIZE:A4	SCALE:---
>0~3	>3~18	>18~50
±0.12	±0.15	±0.3
		±0.5

RE - C - 317 - 6P6C - X - 1 - XX

CONNECTORS