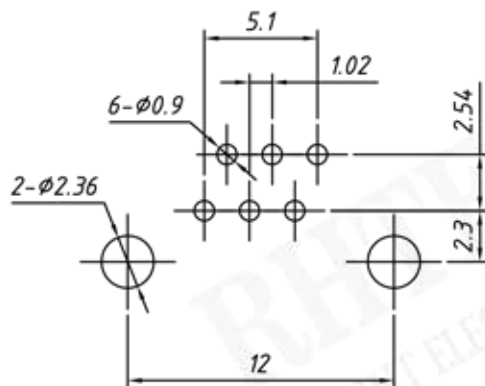
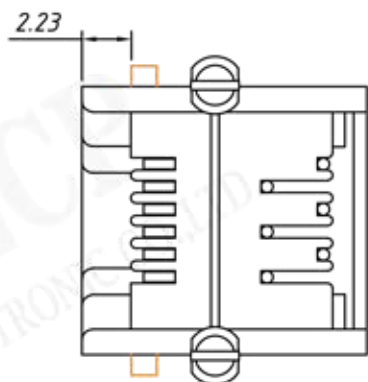


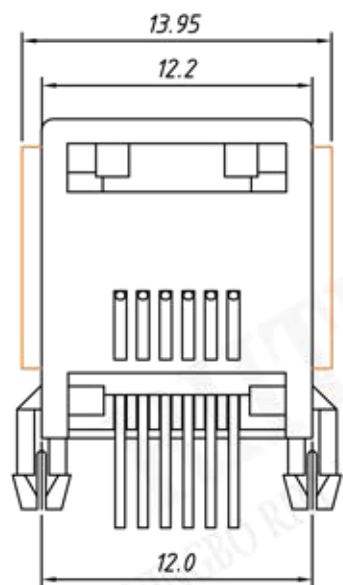
Without Panel



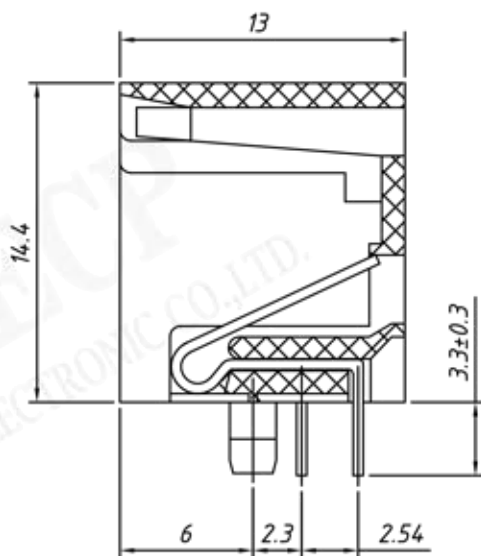
PCB Layout

**Material:**  
**Housing:** PBT+Glass Filled Polyester  
**Flammability Rating:** UL94V-0  
**Contacts:** Phosphor Bronze  $\phi 0.46\text{mm}$   
**Plating:** Gold Plating

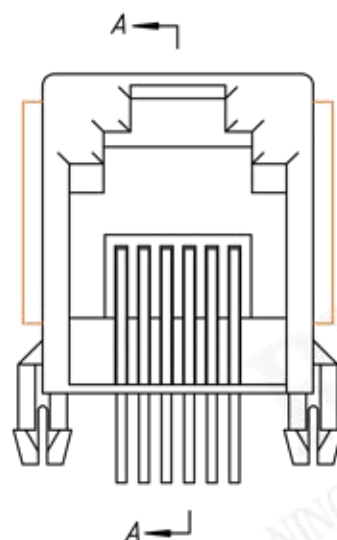
**Electrical:**  
**Voltage Rating:** 125VAC  
**Current Rating:** 1.5A  
**Contact Resistance:**  $30\text{m}\Omega$  Max.  
**Insulation Resistance:**  $500\text{M}\Omega$  Min.  
**Dielectric Strength:** 1000VAC Rms 50Hz, 1 Min.  
**Durability:** 600 cycles Min.  
**Operation Temperature:**  $-40^{\circ}\text{C} \sim +70^{\circ}\text{C}$



With Panel



SECTION A-A



**Order Information**

RE - C - 124 - 6P6C - W - 1 - XX

**Contacts:** 6P6C  
**Panel:** W-With Panel  
 W/O-Without Panel  
**Color Code:**  
 1-Black  
 2-Gray  
**Plating Code:**  
 01-Fu" Gold Plating  
 02-3u" Gold Plating  
 03-6u" Gold Plating  
 04-15u" Gold Plating  
 05-30u" Gold Plating

UNITS:mm	SHEET SIZE:A4	SCALE:---
>0~3	>3~18	>18~50
±0.12	±0.15	±0.3
		±0.5