

## Side level sensor

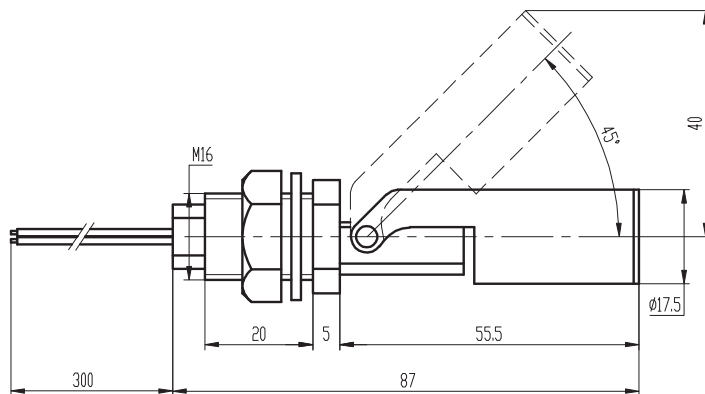
RE-SE-MR-L5 Side mounted liquid level switch

### Material:

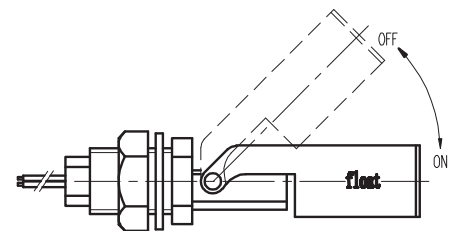
- Float ball:PP
- Float body:PP
- Cap nut:PP
- O-ring:Rubber
- Wire:1015 22# black
- Filling:epoxy glue
- Reed switch:229

### Electrical Specification:

- Contact rating:50W
- Max switching current:DC350/AC300
- Breakdown voltage:600 min
- Max switching voltage:DC0.7/AC0.5
- Max carry current:2.5A
- Contact resistance:100 max
- Insulation resistance: $10^{10}$  min
- Get an electric shock life: $10^7$
- Applicable temperature:-15°C~+85°C



### Movement explanation



### Movement explanation:

1. When the float is in  $20 \pm 2$ , the reed switch will be closed.
2. When the float is in  $25 \pm 2$ , the reed switch will be open.

## ORDER INFORMATION

Product NO.: RE-SE-MR-L5

