

Stainless Steel Level Sensors

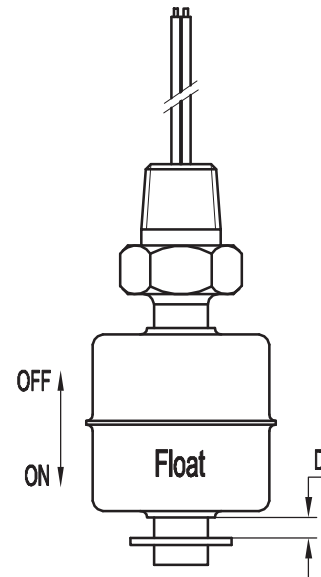
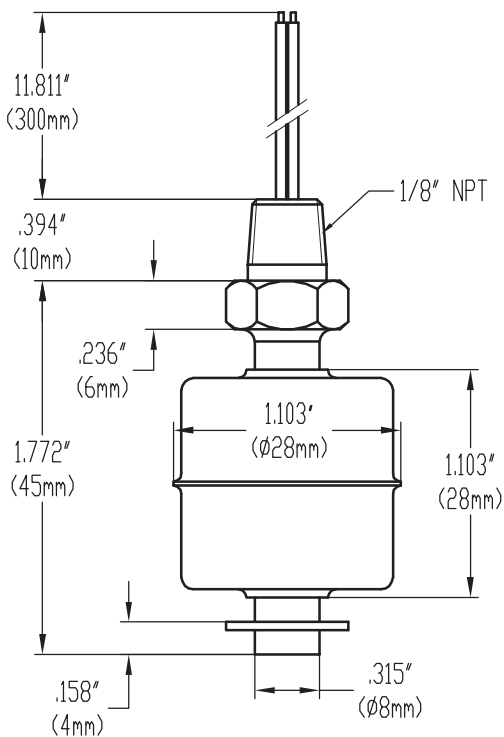
RE-SE-MR1045-S Stainless Steel Level Sensors

Material:

Float ball:SUS304
 Float body:SUS304
 E-ring:SUS304
 Wire:1015 22# black
 Filling:epoxy glue
 Reed switch:229

Electrical Specification:

Contact rating:50W
 Max switching current:DC350/AC300
 Breakdown voltage:600 min
 Max switching voltage:DC0.7/AC0.5
 Max carry current:2.5A
 Contact resistance:100 max
 Insulation resistance:10¹⁰ min
 Get an electric shock life:10⁷
 Applicable temperature:-15°C~+125°C



Movement explanation:
 When the float drops to the D position in the position between D=3±1mm, the reed switches will be closed

ORDER INFORMATION

Product NO.: RE-SE-MR1045-S

