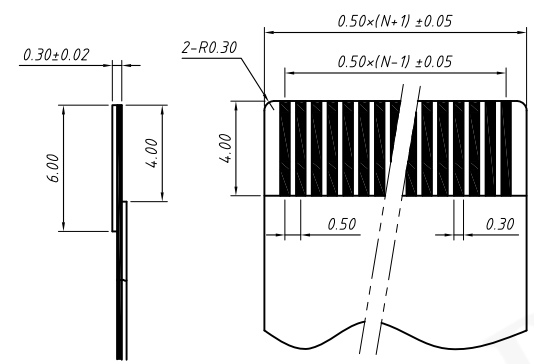
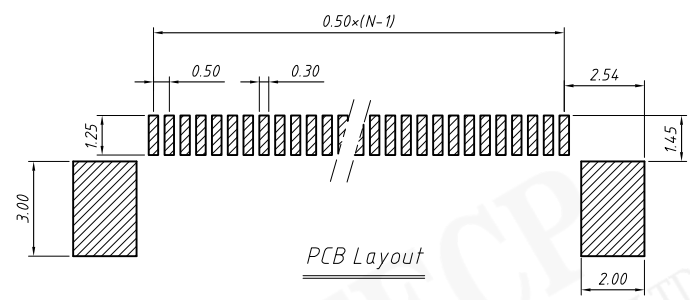


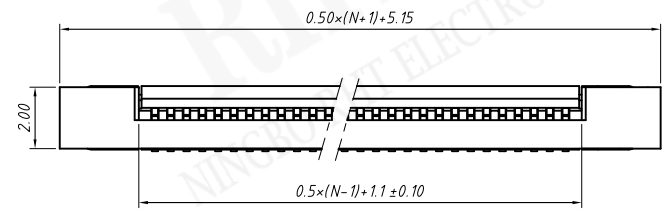
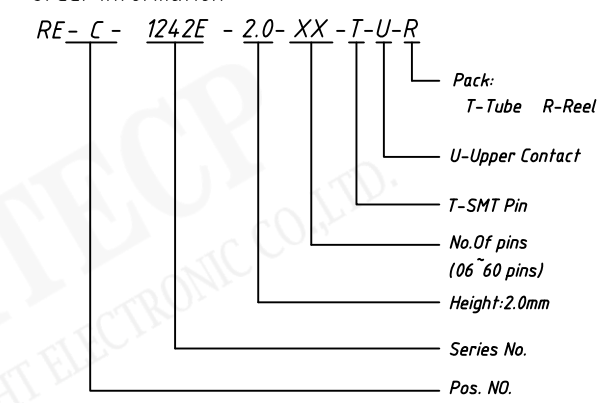
**Material**  
 Housing: LCP UL94V-0  
 Terminal: Phosphor Bronze Tin-plated  
 Fitting Nial: Phosphor Bronze Tin-plated

**Electrical**  
 Voltage rating: 50 V  
 Current rating: 0.4 A  
 Withstanding Voltage: 200 V  
 Insulation resistance: 500MΩ.Min.  
 Contact resistance: 20 mΩ.Max.

**Mechanical**  
 Temp. Range: -25 °C ~ +85 °C



**Order Information**

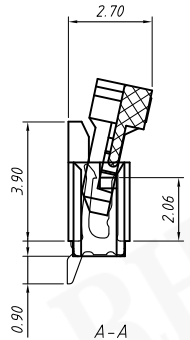
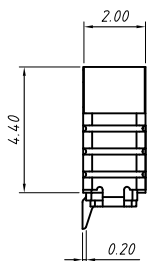
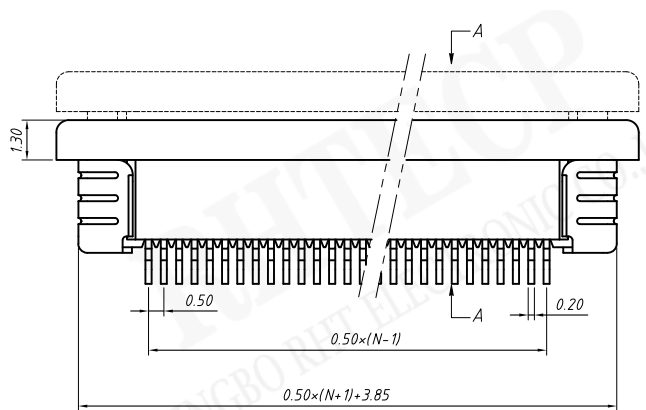


**RHTECP** NINGBO RHT ELECTRONIC CO.,LTD

UNITS:mm	SHEET SIZE:A4		SCALE:---
>0~3	>3~18	>18~50	>50~120
±0.12	±0.15	±0.3	±0.5

RE - C - 1242E - 2.0 - XX - T - U - R

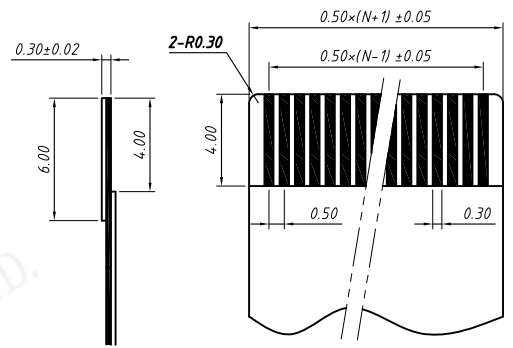
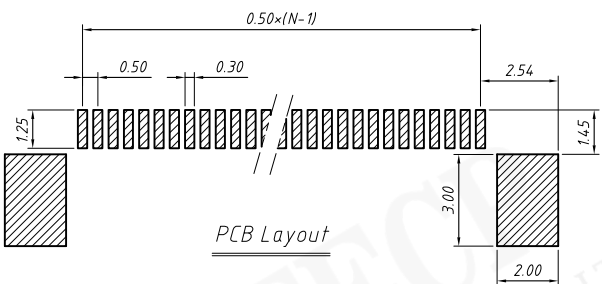
CONNECTOR



**Material**  
 Housing: LCP UL94V-0  
 Terminal: Phosphor Bronze Tin-plated  
 Fitting Nial: Phosphor Bronze Tin-plated

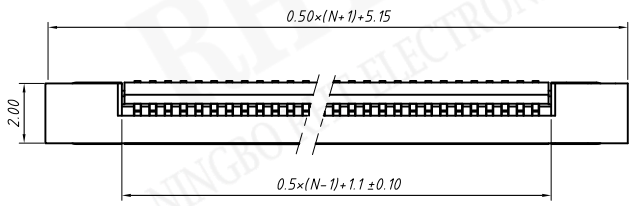
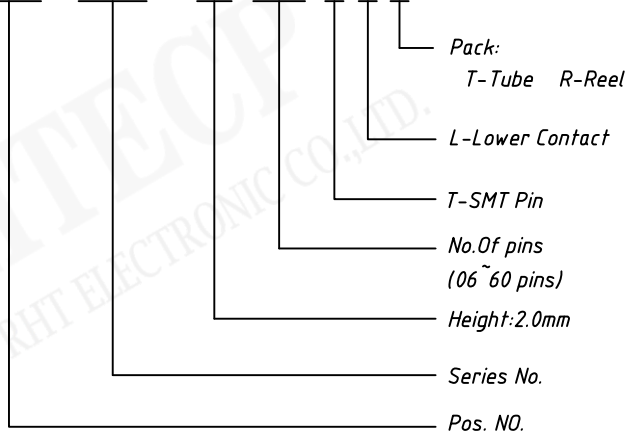
**Electrical**  
 Voltage rating: 50 V  
 Current rating: 0.4 A  
 Withstanding Voltage: 200 V  
 Insulation resistance: 500MΩ.Min.  
 Contact resistance: 20 mΩ.Max.

**Mechanical**  
 Temp. Range: -25 °C ~ +85 °C



**Order Information**

RE-C-1242E-2.0-XX-T-L-R



NINGBO RHT ELECTRONIC CO.,LTD

UNITS:mm	SHEET SIZE:A4	SCALE:---
>0~3	>3~18	>18~50
±0.12	±0.15	±0.3
		±0.5

RE-C-1242E-2.0-XX-T-U-R

CONNECTOR