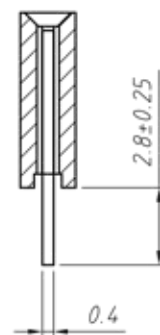
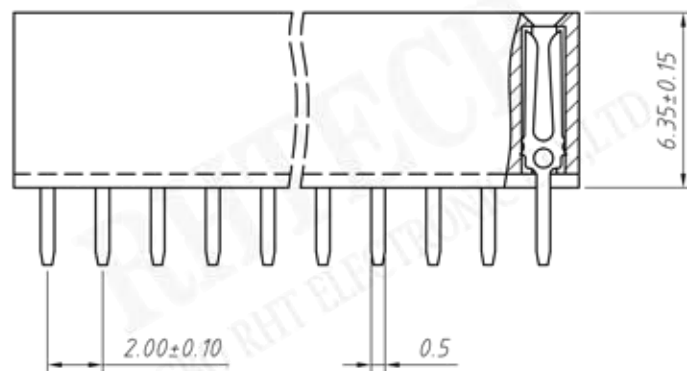


Recommended P.C.B Layout (Top Side)
(PCB BOARD TOLERANCE ± 0.05)

Material:
 Standard: PBT/PA6T
 Contact: Brass
 Plating: Au or Sn Over Ni
 Insulator: Polyester, UL 94V-0

Electrical Characteristics:
 Rated Current: 1.5AMP
 Contact Resistance: 20mΩ Max
 Withstand Voltage: 500V AC/DC
 Insulator Resistance: 1000MΩ Min

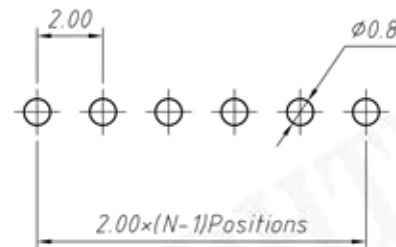
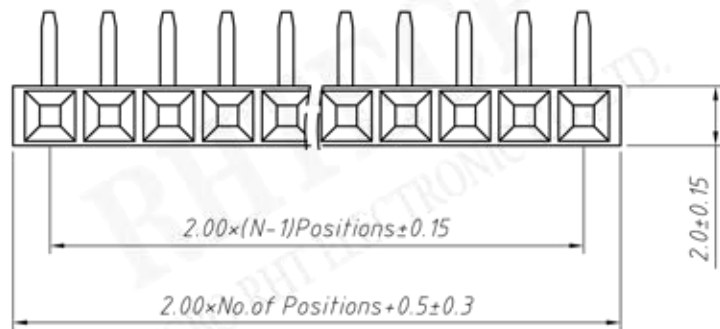
Mechanical
 Operating Temperature: -40°C ~ +105°C
 Max. Processing Temp: 230°C for 30-60 seconds (260°C for 10 seconds)



Order Information:
 RE-C-208B-6.35-1-XX-S-B

Female Header
 Series 208B: 2.00mm
 Plastics Height: 6.35mm
 Per Row: Single layer
 Pin: No. of Pins (1x40)
 Type: Straight Pin
 Material: A=PBT B=PA6T C=LCP

UNITS:mm	SHEET SIZE:A4		SCALE:---
>0~3	>3~18	>18~50	>50~120
±0.12	±0.15	±0.3	±0.5

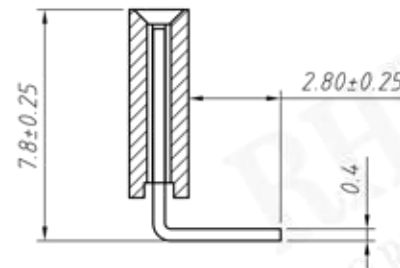
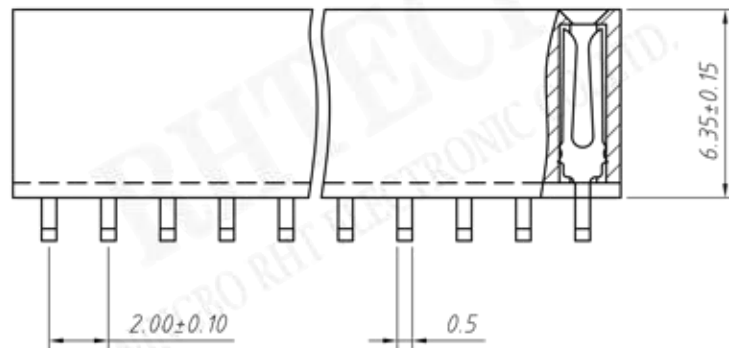


Recommended P.C.B Layout (Top Side)
(PCB BOARD TOLERANCE ± 0.05)

Material:
Standard: PBT/PA6T
Contact: Brass
Plating: Au or Sn Over Ni
Insulator: Polyester, UL94V-0

Electrical Characteristics:
Rated Current: 15AMP
Contact Resistance: 20mΩ Max
Withstand Voltage: 500V AC/DC
Insulator Resistance: 1000MΩ Min

Mechanical
Operating Temperature: -40°C ~ +105°C
Max. Processing Temp: 230°C for 30-60 seconds (260°C for 10 seconds)



Order Information:
RE - C - 208B - 6.35 - 1 - XX - R - B

Female Header
Series 208B: 2.00mm
Plastics Height: 6.35mm
Per Row: Single layer
Pin: No. of Pins (1x40)
Type: Right Angle Pin
Material: A=PBT B=PA6T C=LCP

RHTECP NINGBO RHT ELECTRONIC CO.,LTD

UNITS: mm

SHEET SIZE: A4

SCALE: ---

RE - C - 208B - 6.35 - 1 - XX - R - B

>0~3

>3~18

>18~50

>50~120

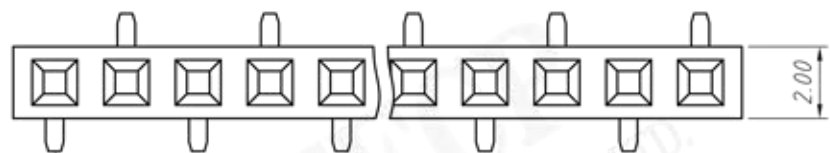
±0.12

±0.15

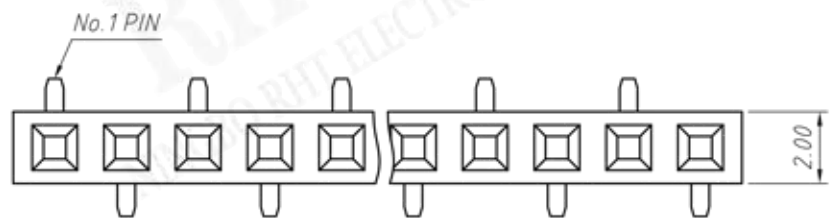
±0.3

±0.5

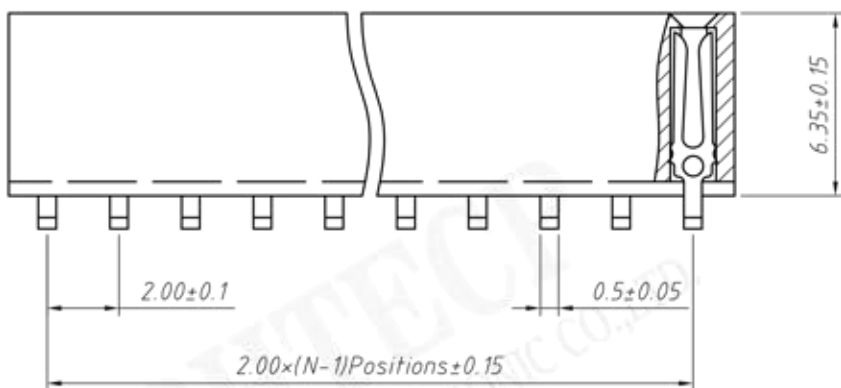
CONNECTORS



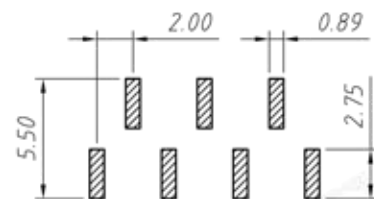
T2 Type



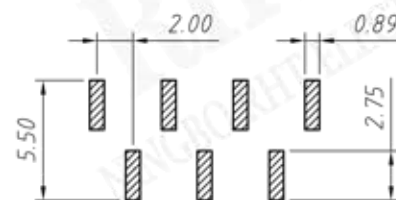
T1 Type



Dimension antitheses list (mm)			
ITEM	L1	L2	Plastic Height
Standard	7.00	4.50	6.35
Nonstandard	---	---	---



Recommended PCB Hole Layout



Material:
 Standard:PA6T
 Contact:Brass
 Contact plating: Au or Sn over Ni
 Nickellinsulator: Polyester, UL94V-0

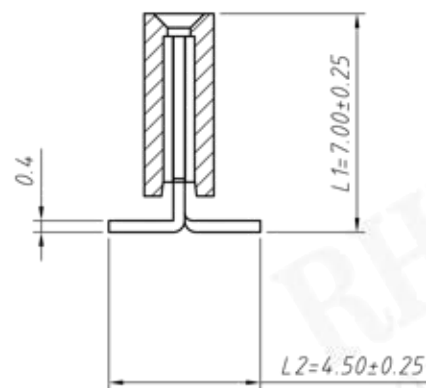
Electrical Characteristics:
 Rated Current: 1.5AMP
 Contact Resistance: 20mΩ Max
 Withstand Voltage: 500V AC/DC
 Insulator Resistance: 1000MΩ Min

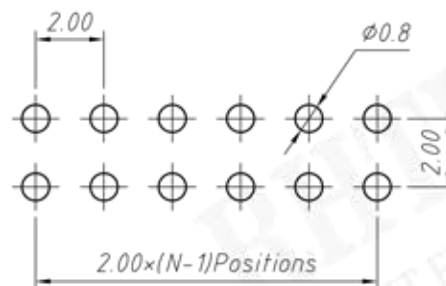
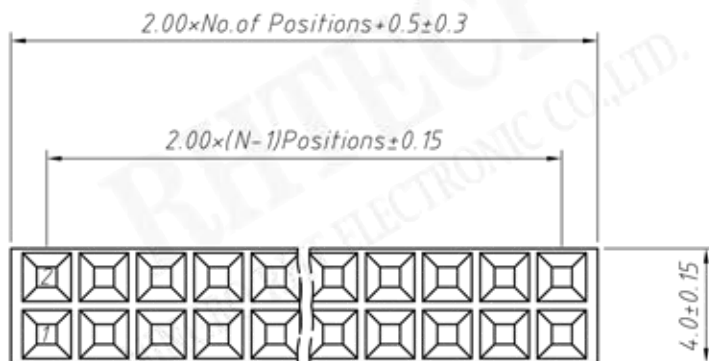
Mechanical
 Operating Temperature: -40°C ~ +105°C
 Max. Processing Temp: 230°C for 30-60 seconds (260°C for 10 seconds)

Order Information:

RE - C - 208B - 6.35 - 1 - XX - T1 - L1 x L2 - N - B - R

Female Header Series
 208B: 2.00mm
 Plastics Height: 6.35mm
 Per Row: Single layer
 Pin: No. of Pins (1x40)
 SMT Pin: T1 Type, T2 Type
 Size: L1 x L2
 Post: N=W/O Post
 Material: A=PBT B=PA6T C=LCP
 Packing:
 A=Tray T=Tube M=Reel+Mylar
 P=Tube+Cap R=Reel+Cap



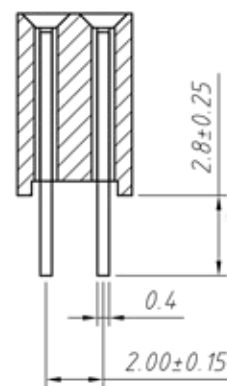
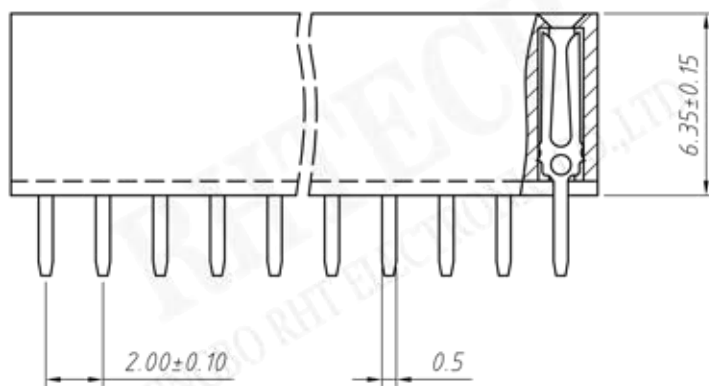


Recommended P.C.B Layout (Top Side)
(PCB BOARD TOLERANCE ± 0.05)

Material:
 Standard: PBT/PA6T
 Contact: Brass
 Plating: Au or Sn Over Ni
 Insulator: Polyester, UL 94 V-0

Electrical Characteristics:
 Rated Current: 1.5AMP
 Contact Resistance: $20m\Omega$ Max
 Withstand Voltage: 500V AC/DC
 Insulator Resistance: $1000M\Omega$ Min

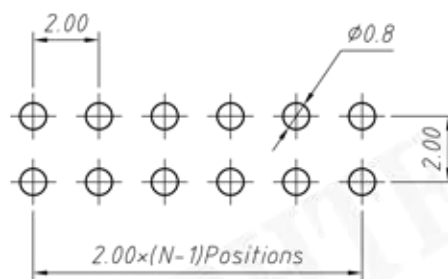
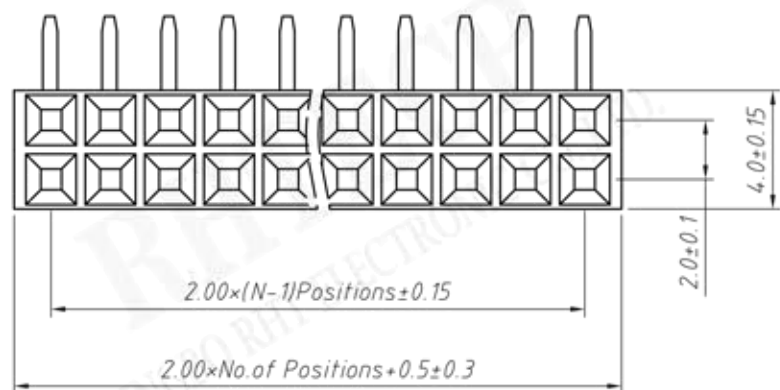
Mechanical
 Operating Temperature: $-40^{\circ}\text{C} \sim +105^{\circ}\text{C}$
 Max. Processing Temp: 230°C for 30-60 seconds (260°C for 10 seconds)



Order Information:
 RE - C - 208B - 6.35 - 2 - XX - S - B

Female Header
 Series 208B: 2.00mm
 Plastics Height: 6.35mm
 Per Row: Double layer
 Pin: No. of Pins (02 ~ 80)
 Type: Straight Pin
 Material: A=PBT B=PA6T C=LCP

UNITS: mm	SHEET SIZE: A4		SCALE: ---
>0~3	>3~18	>18~50	>50~120
± 0.12	± 0.15	± 0.3	± 0.5

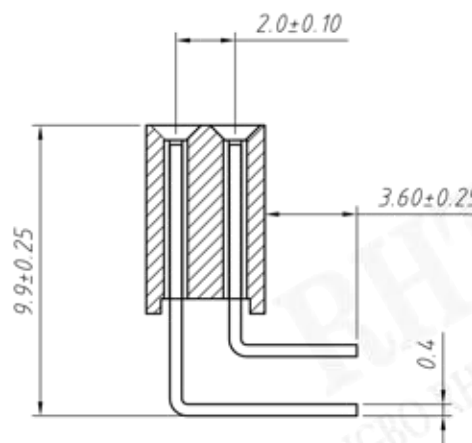
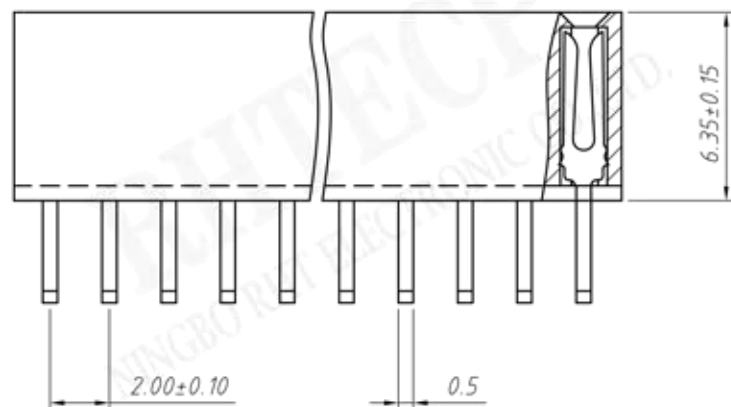


Recommended P.C.B Layout (Top Side)
(PCB BOARD TOLERANCE ± 0.05)

Material:
Standard: PBT/PA6T
Contact: Brass
Plating: Au or Sn Over Ni
Insulator: Polyester, UL94V-0

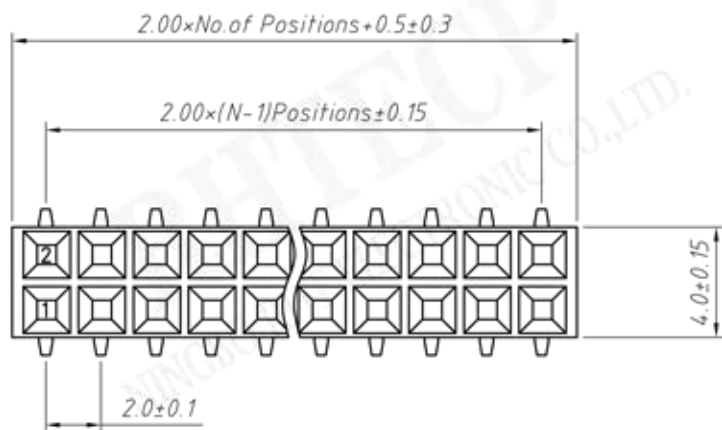
Electrical Characteristics:
Rated Current: 1.5AMP
Contact Resistance: $20m\Omega$ Max
Withstand Voltage: 500V AC/DC
Insulator Resistance: $1000M\Omega$ Min

Mechanical
Operating Temperature: $-40^{\circ}\text{C} \sim +105^{\circ}\text{C}$
Max. Processing Temp: 230°C for 30-60 seconds (260°C for 10 seconds)

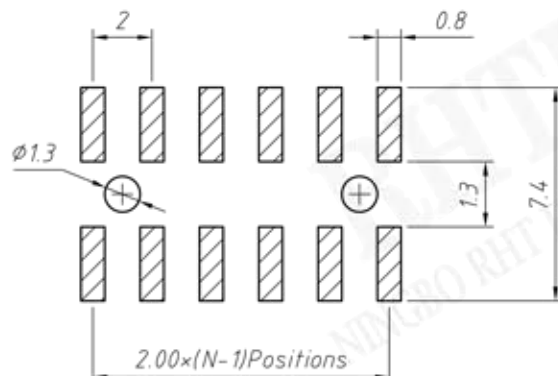


Order Information:
 $RE - C - 208B - 6.35 - 2 - XX - R - B$

Female Header
Series 208B: 2.00mm
Plastics Height: 6.35mm
Per Row: Double layer
Pin: No. of Pins (02~80)
Type: Right Angle Pin
Material: A=PBT B=PA6T C=LCP



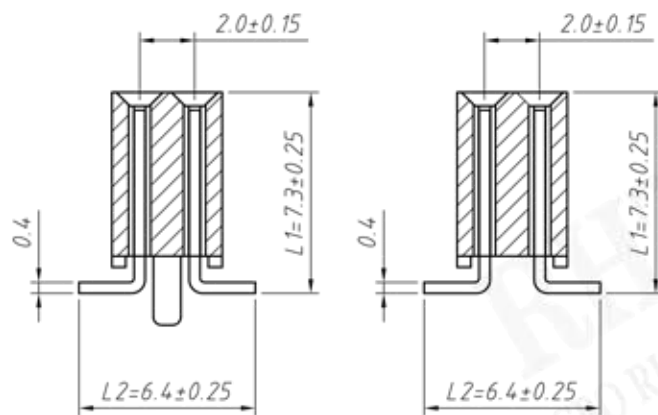
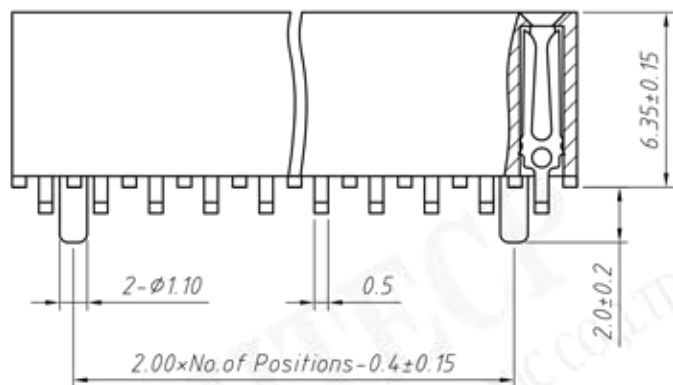
Recommended P.C.B Layout (Top Side)
(PCB BOARD TOLERANCE ±0.05)



Material:
Standard: PA6T
Contact: Brass
Contact plating: Au or Sn over Ni
Nickel Insulator: Polyester, UL94V-0

Electrical Characteristics:
Rated Current: 1.5AMP
Contact Resistance: 20mΩ Max
Withstand Voltage: 500V AC/DC
Insulator Resistance: 1000MΩ Min

Mechanical
Operating Temperature: -40°C ~ +105°C
Max. Processing Temp: 230°C for 30-60 seconds (260°C for 10 seconds)



T3=With Post

T=Without Post

Order Information:

RE - C - 208B - 6.35 - 2 - XX - T - L1 x L2 - B - R

Pin Header Series
208B: 2.00mm
Plastics Height: 6.35mm
Per Row: Double layer
Pin: No. of Pins (02~80)

SMT: T=Without Post, T3=With Post

Size: L1 x L2

Material: A=PBT B=PA6T C=LCP

Packing:

A=Tray T=Tube M=Reel+Mylar
P=Tube+Cap R=Reel+Cap

Dimension antitheses list (mm)			
ITEM	L1	L2	Plastic Height
Standard	7.30	6.40	6.35
Nonstandard	---	---	---



NINGBO RHT ELECTRONIC CO.,LTD

UNITS: mm

SHEET SIZE: A4

SCALE: ---

>0~3

>3~18

>18~50

>50~120

±0.12

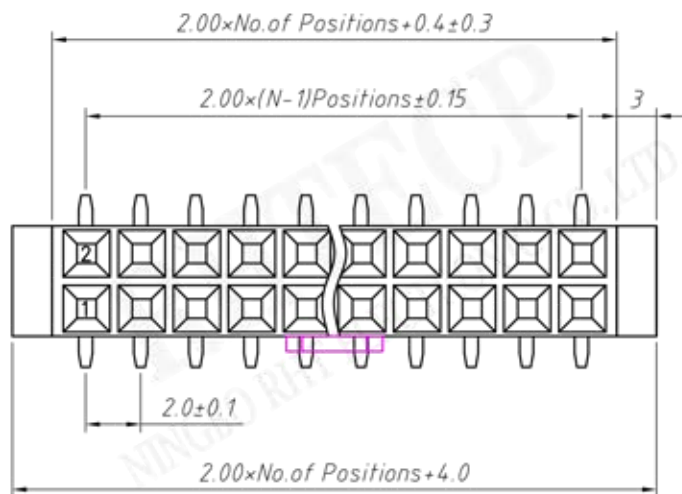
±0.15

±0.3

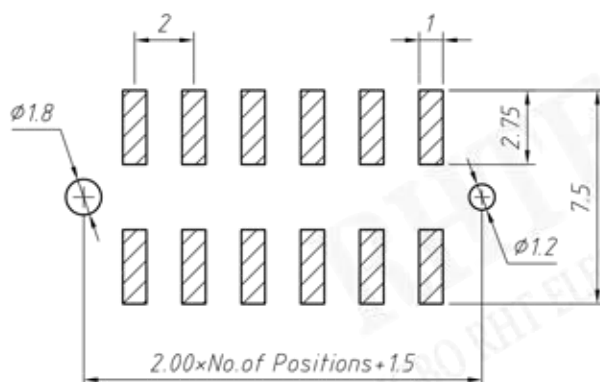
±0.5

RE - C - 208B - 6.35 - 2 - XX - T - L1 x L2 - B - R

CONNECTORS



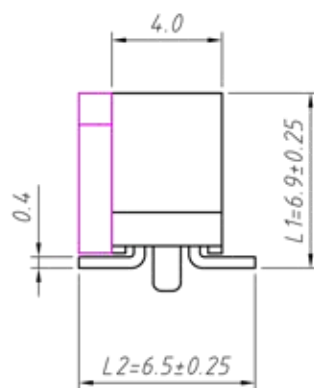
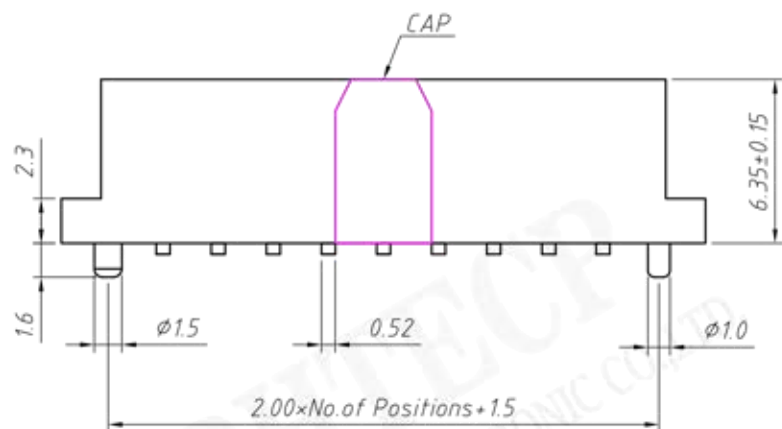
Recommended P.C.B Layout (Top Side)
(PCB BOARD TOLERANCE ± 0.05)



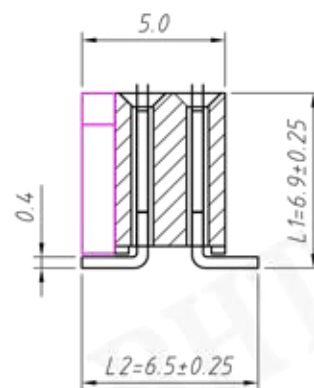
Material:
Standard: PA6T
Contact: Brass
Contact plating: Au or Sn over Ni
Nickel Insulator: Polyester, UL 94V-0

Electrical Characteristics:
Rated Current: 1.5AMP
Contact Resistance: 20mΩ Max
Withstand Voltage: 500V AC/DC
Insulator Resistance: 1000MΩ Min

Mechanical
Operating Temperature: -40°C ~ +105°C
Max. Processing Temp: 230°C for 30-60 seconds (260°C for 10 seconds)



T3=With Post



T=Without Post

Order Information:

RE - C - 208B - 6.35 - 2 - XX - T4 - L1 x L2 - B - R

Pin Header Series
208B: 2.00mm
Plastics Height: 6.35mm
Per Row: Double layer
Pin: No. of Pins (02~80)
SMT Type: T4=With External Post
Size: L1 x L2
Material: A=PBT B=PA6T C=LCP
Packing:
A=Tray T=Tube M=Reel+Mylar
P=Tube+Cap R=Reel+Cap

Dimension antitheses list (mm)

ITEM	L1	L2	Plastic Height
Standard	6.9	6.5	6.35
Nonstandard	---	---	---

RHTECP NINGBO RHT ELECTRONIC CO.,LTD

UNITS: mm

SHEET SIZE: A4

SCALE: ---

>0~3

>3~18

>18~50

>50~120

±0.12

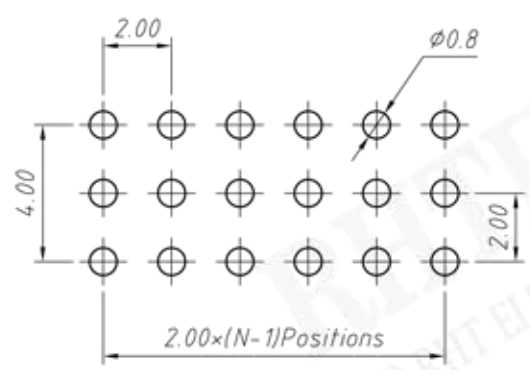
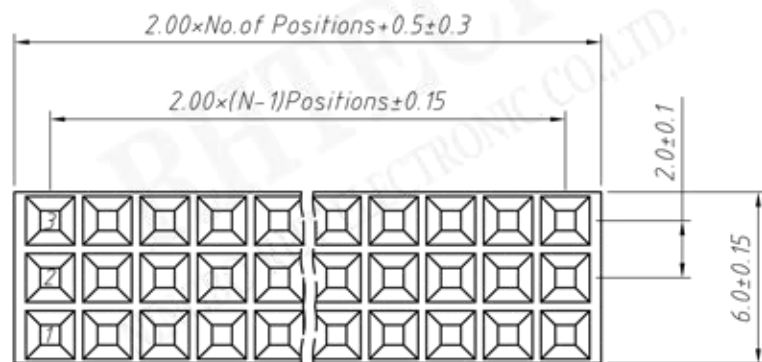
±0.15

±0.3

±0.5

RE - C - 208B - 6.35 - 2 - XX - T4 - L1 x L2 - B - R

CONNECTORS

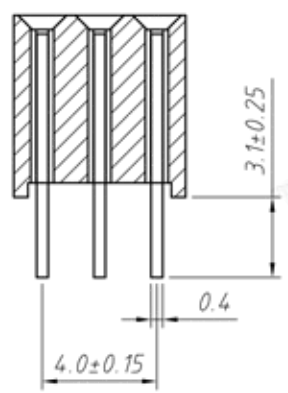
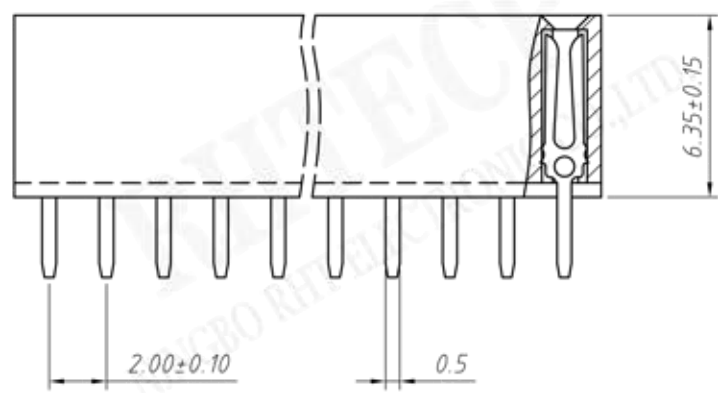


Recommended P.C.B Layout (Top Side)
(PCB BOARD TOLERANCE ± 0.05)

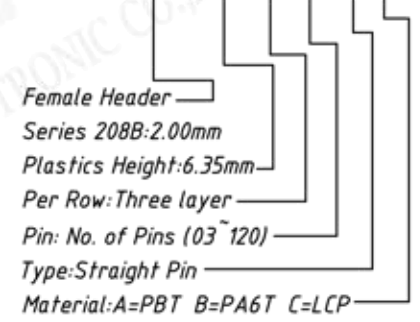
Material:
 Standard: PBT/PA6T
 Contact: Brass
 Plating: Au or Sn Over Ni
 Insulator: Polyester, UL 94V-0

Electrical Characteristics:
 Rated Current: 1.5AMP
 Contact Resistance: $20m\Omega$ Max
 Withstand Voltage: 500V AC/DC
 Insulator Resistance: $1000M\Omega$ Min

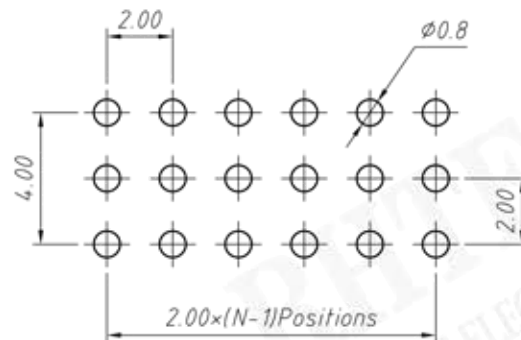
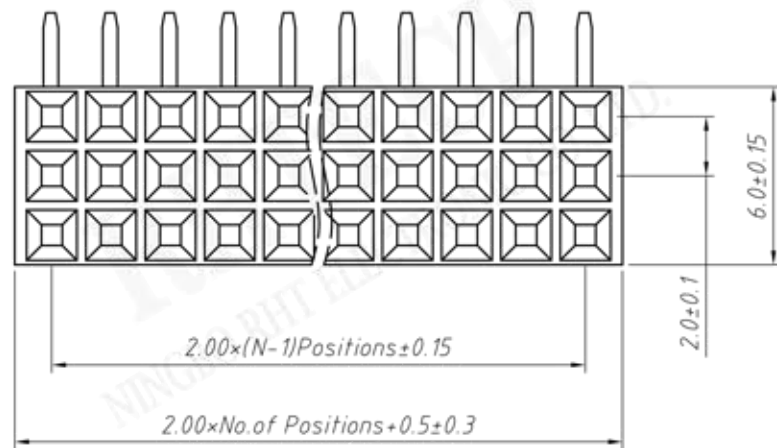
Mechanical
 Operating Temperature: $-40^{\circ}\text{C} \sim +105^{\circ}\text{C}$
 Max. Processing Temp: 230°C for 30-60 seconds (260°C for 10 seconds)



Order Information:
 RE-C-208B-6.35-3-XX-S-B



UNITS: mm	SHEET SIZE: A4		SCALE: ---
>0~3	>3~18	>18~50	>50~120
± 0.12	± 0.15	± 0.3	± 0.5

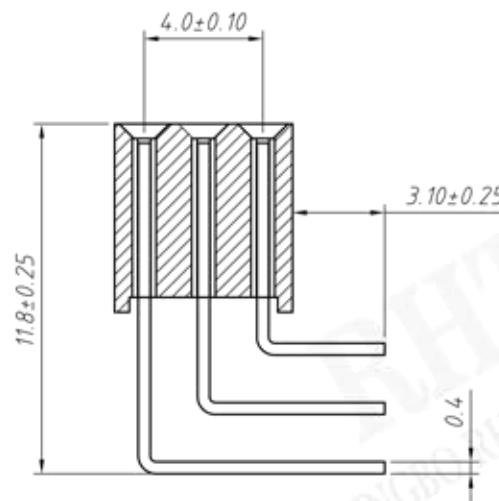
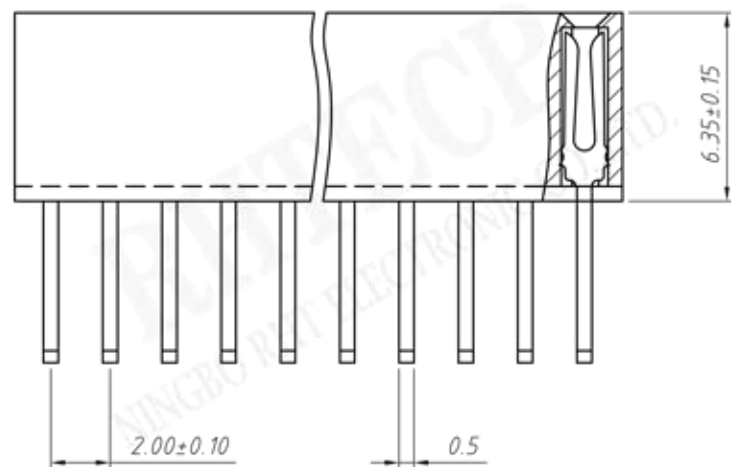


Recommended P.C.B Layout (Top Side)
(PCB BOARD TOLERANCE ± 0.05)

Material:
Standard: PBT/PA6T
Contact: Brass
Plating: Au or Sn Over Ni
Insulator: Polyester, UL94V-0

Electrical Characteristics:
Rated Current: 1.5AMP
Contact Resistance: $20m\Omega$ Max
Withstand Voltage: 500V AC/DC
Insulator Resistance: $1000M\Omega$ Min

Mechanical
Operating Temperature: $-40^{\circ}\text{C} \sim +105^{\circ}\text{C}$
Max. Processing Temp: 230°C for 30-60 seconds (260°C for 10 seconds)



Order Information:
RE-C-208B-6.35-3-XX-R-B

Female Header
Series 208B: 2.00mm
Plastics Height: 6.35mm
Per Row: Three layer
Pin: No. of Pins ($03 \sim 120$)
Type: Right Angle Pin
Material: A=PBT B=PA6T C=LCP

RHTECP NINGBO RHT ELECTRONIC CO.,LTD

UNITS: mm

SHEET SIZE: A4

SCALE: ---

>0~3

>3~18

>18~50

>50~120

RE-C-208B-6.35-3-XX-R-B

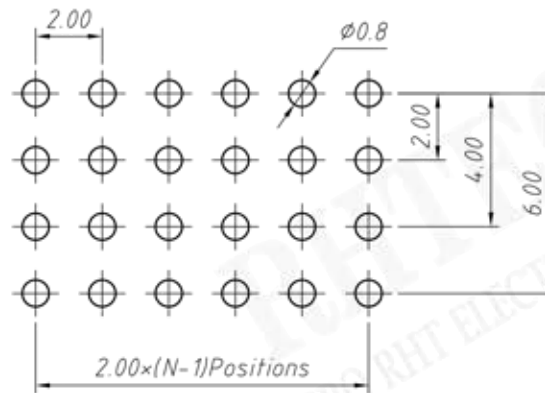
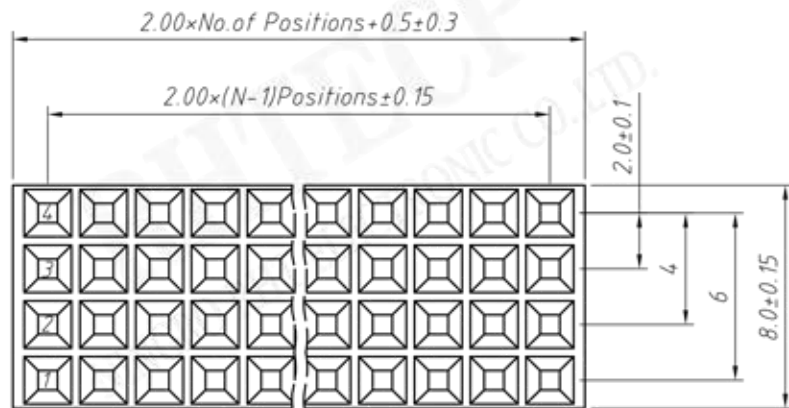
± 0.12

± 0.15

± 0.3

± 0.5

CONNECTORS

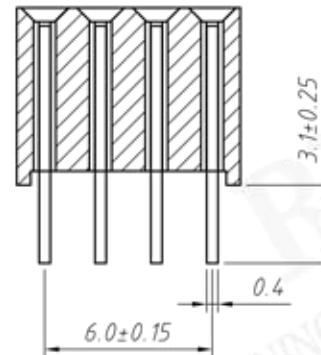
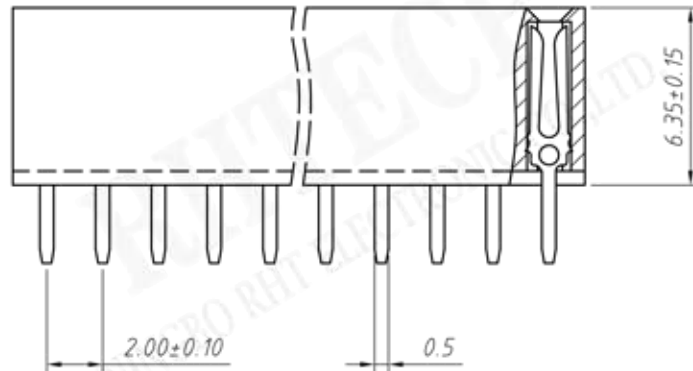


Recommended P.C.B Layout (Top Side)
(PCB BOARD TOLERANCE ± 0.05)

Material:
 Standard: PBT/PA6T
 Contact: Brass
 Plating: Au or Sn Over Ni
 Insulator: Polyester, UL94V-0

Electrical Characteristics:
 Rated Current: 1.5AMP
 Contact Resistance: 20mΩ Max
 Withstand Voltage: 500V AC/DC
 Insulator Resistance: 1000MΩ Min

Mechanical
 Operating Temperature: -40°C ~ +105°C
 Max. Processing Temp: 230°C for 30-60 seconds (260°C for 10 seconds)



Order Information:
 RE - C - 208B - 6.35 - 4 - XX - S - B

Female Header
 Series 208B: 2.00mm
 Plastics Height: 6.35mm
 Per Row: Four layer
 Pin: No. of Pins (04 ~ 160)
 Type: Straight Pin
 Material: A=PBT B=PA6T C=LCP

UNITS: mm	SHEET SIZE: A4		SCALE: ---
>0~3	>3~18	>18~50	>50~120
±0.12	±0.15	±0.3	±0.5