

Material:  
 Body:PC+ABS  
 Contact:Brass, Tin Pated

Electrical Characteristics:  
 Fuse 5×20mm  
 Pitch 22.4mm  
 Rated Load:5A 250V.AC  
 Contact Resistance: ≤5mΩ  
 Insulation Resistance: ≥500MΩ  
 Withstand Voltage:AC 1000V(50Hz)/Min



NINGBO RHT ELECTRONIC CO.,LTD

UNITS:mm

SHEET SIZE:A4

SCALE:---

RE-F-1096

>0~3

>3~18

>18~50

>50~120

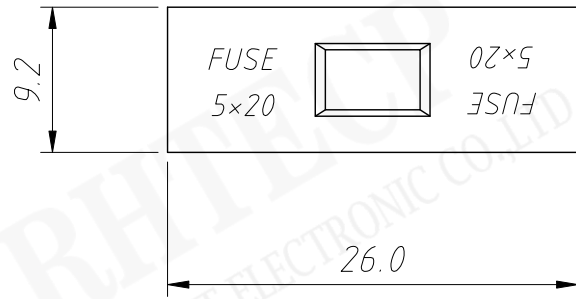
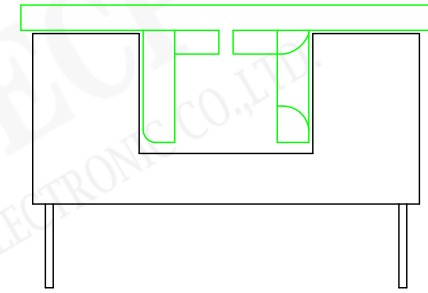
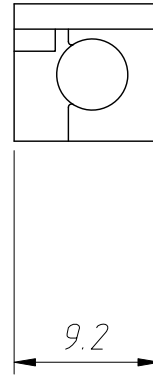
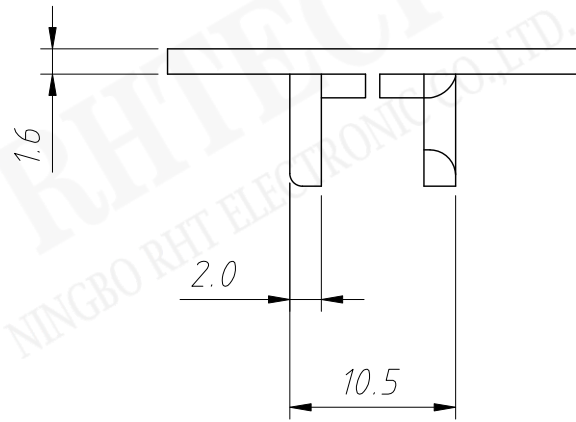
±0.12

±0.15

±0.3

±0.5

FUSE HOLDER



**RHTECP** NINGBO RHT ELECTRONIC CO.,LTD

UNITS:mm

SHEET SIZE:A4

SCALE:----

RE-F-1096

>0~3

>3~18

>18~50

>50~120

±0.12

±0.15

±0.3

±0.5

FUSE HOLDER