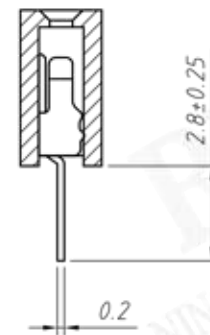
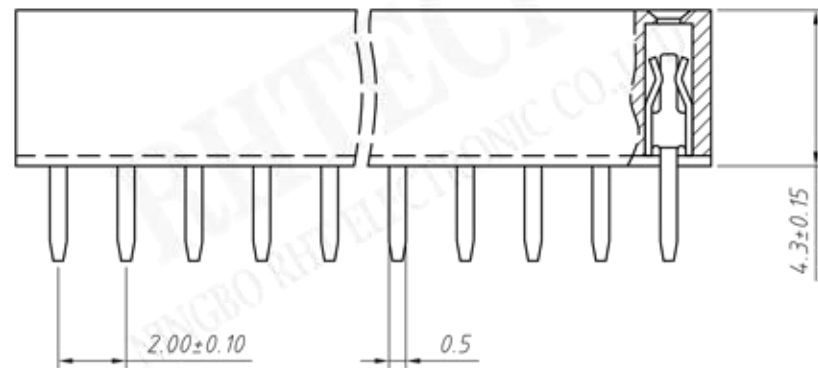


Recommended P.C.B Layout (Top Side)
(PCB BOARD TOLERANCE ± 0.05)

Material:
 Standard: PBT/PA6T
 Contact: Brass
 Plating: Au or Sn Over Ni
 Insulator: Polyester, UL94V-0

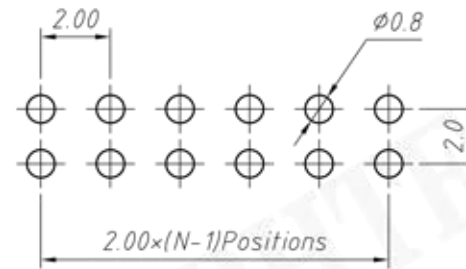
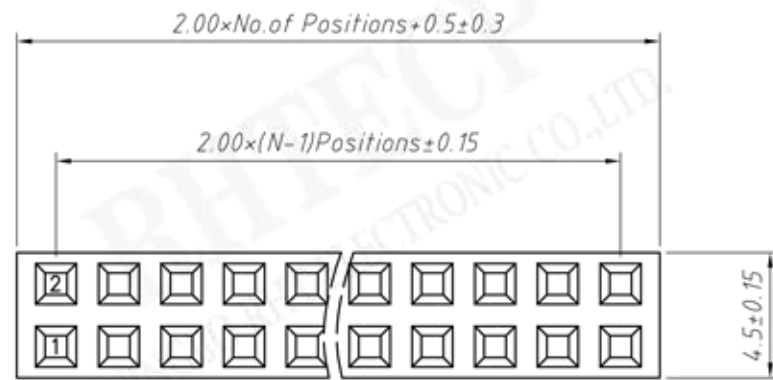
Electrical Characteristics:
 Rated Current: 1.5AMP
 Contact Resistance: 20m Ω Max
 Withstand Voltage: 500V AC/DC
 Insulator Resistance: 1000M Ω Min

Mechanical
 Operating Temperature: $-40^{\circ}\text{C} \sim +105^{\circ}\text{C}$
 Max. Processing Temp: 230°C for 30-60 seconds (260°C for 10 seconds)



Order Information:
 RE-C-208B-4.3-1-XX-S-B

Female Header
 Series 208B: 2.00mm
 Plastics Height: 4.3mm
 Per Row: Single layer
 Pin: No. of Pins (1x40)
 Type: Straight Pin
 Material: A=PBT B=PA6T C=LCP

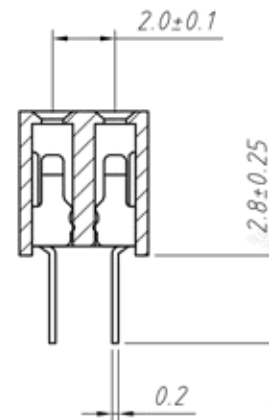
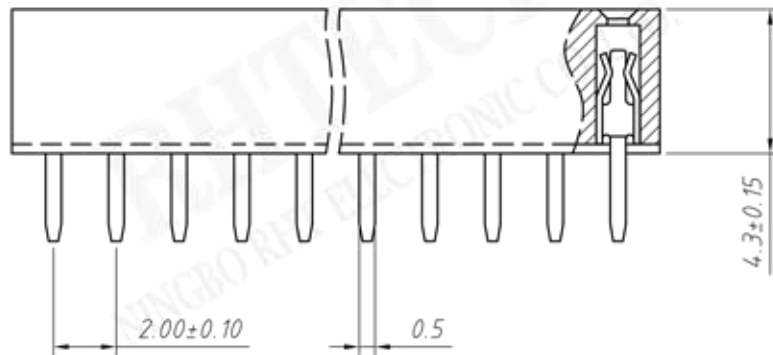


Recommended P.C.B Layout (Top Side)
(PCB BOARD TOLERANCE ±0.05)

Material:
Standard:PBT/PA6T
Contact:Brass
Plating: Au or Sn Over Ni
Insulator: Polyester, UL94V-0

Electrical Characteristics:
Rated Current: 1.5AMP
Contact Resistance: 20mΩ Max
Withstand Voltage: 500V AC/DC
Insulator Resistance: 1000MΩ Min

Mechanical
Operating Temperature: -40°C ~ +105°C
Max.Processing Temp: 230°C for 30-60 seconds (260°C for 10 seconds)



Order Information:
RE-C-208B-4.3-2-XX-S-B

Female Header

Series 208B: 2.00mm

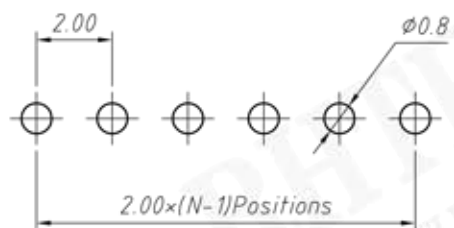
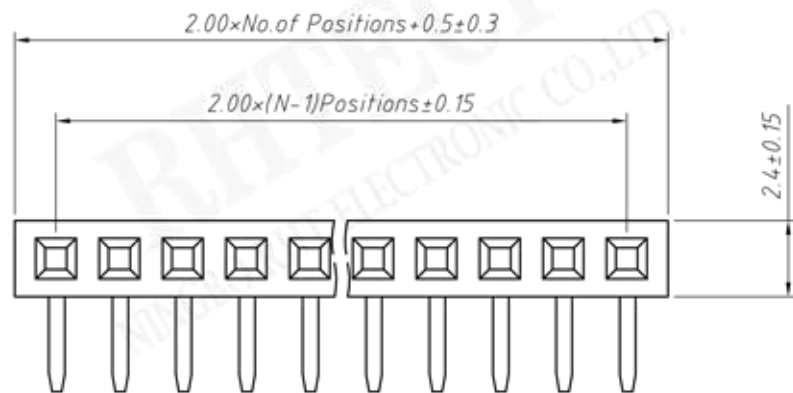
Plastics Height: 4.3mm

Per Row: Double layer

Pin: No. of Pins (02~80)

Type: Straight Pin

Material: A=PBT B=PA6T C=LCP

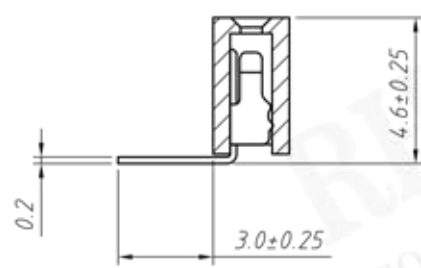
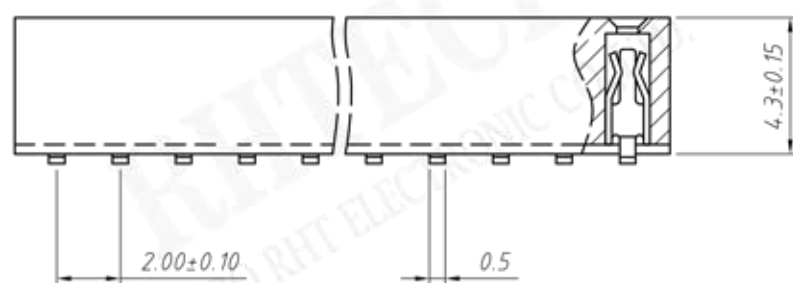


Recommended P.C.B Layout (Top Side)
(PCB BOARD TOLERANCE ±0.05)

Material:
Standard: PBT/PA6T
Contact: Brass
Plating: Au or Sn Over Ni
Insulator: Polyester, UL94V-0

Electrical Characteristics:
Rated Current: 1.5AMP
Contact Resistance: 20mΩ Max
Withstand Voltage: 500V AC/DC
Insulator Resistance: 1000MΩ Min

Mechanical
Operating Temperature: -40°C ~ +105°C
Max. Processing Temp: 230°C for 30-60 seconds (260°C for 10 seconds)



Order Information:
RE - C - 208B - 4.3 - 1 - XX - R1 - B

Female Header
Series 208B: 2.00mm
Plastics Height: 4.3mm
Per Row: Single layer
Pin: No. of Pins (1x40)
Right Angle Pin: R1 Type
Material: A=PBT B=PA6T C=LCP

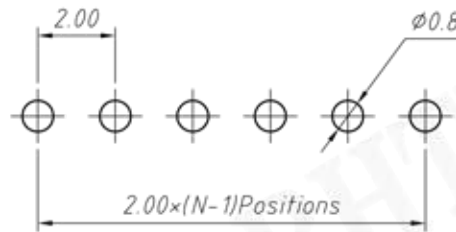
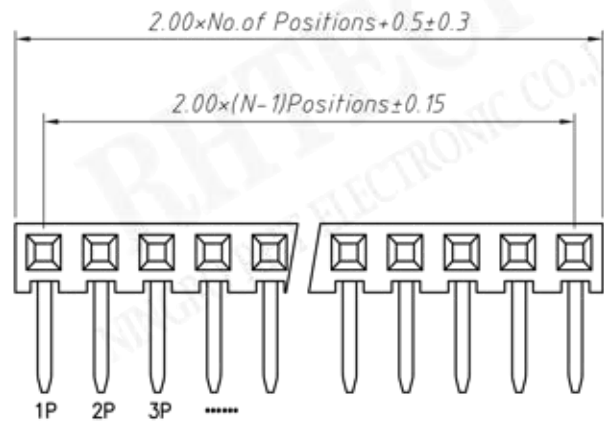


NINGBO RHT ELECTRONIC CO.,LTD

UNITS: mm	SHEET SIZE: A4		SCALE: ---
>0~3	>3~18	>18~50	>50~120
±0.12	±0.15	±0.3	±0.5

RE - C - 208B - 4.3 - 1 - XX - R1 - B

CONNECTORS

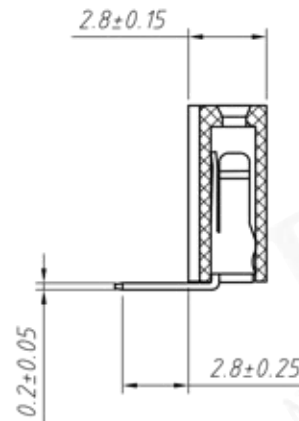
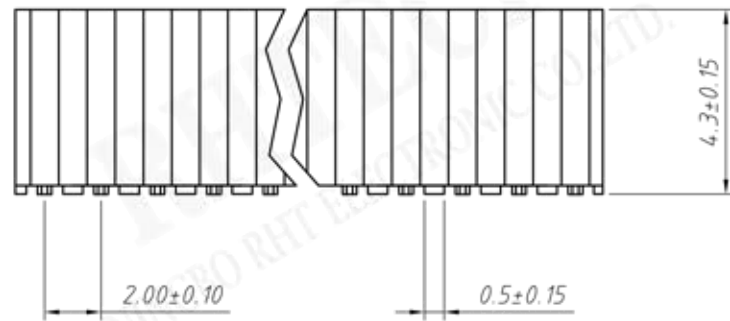


Recommended P.C.B Layout (Top Side)
(PCB BOARD TOLERANCE ± 0.05)

Material:
 Standard: PBT/PA6T
 Contact: Brass
 Plating: Au or Sn Over Ni
 Insulator: Polyester, UL94V-0

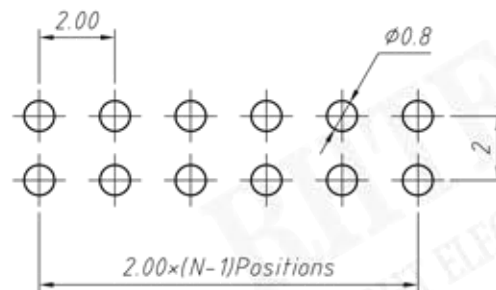
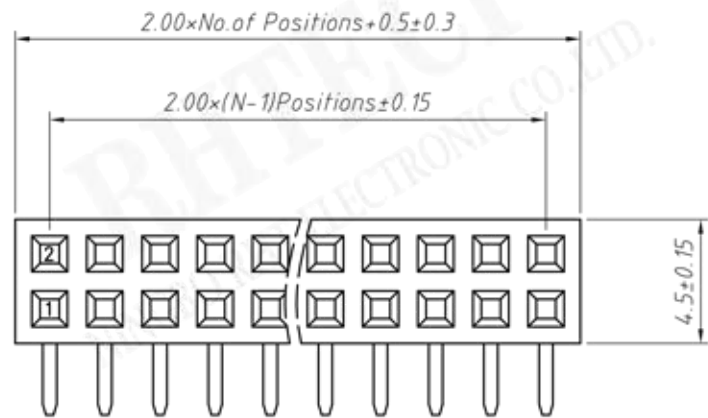
Electrical Characteristics:
 Rated Current: 1.5AMP
 Contact Resistance: 20m Ω Max
 Withstand Voltage: 500V AC/DC
 Insulator Resistance: 1000M Ω Min

Mechanical
 Operating Temperature: $-40^{\circ}\text{C} \sim +105^{\circ}\text{C}$
 Max. Processing Temp: 230°C for 30-60 seconds (260°C for 10 seconds)



Order Information:
 RE - C - 208B - 4.3 - 1 - XX - R2 - B

Female Header
 Series 208B: 2.00mm
 Plastics Height: 4.3mm
 Per Row: Single layer
 Pin: No. of Pins (1x40)
 Right Angle Pin: R2 Type
 Material: A=PBT B=PA6T C=LCP

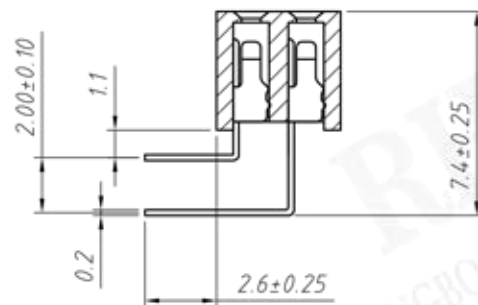
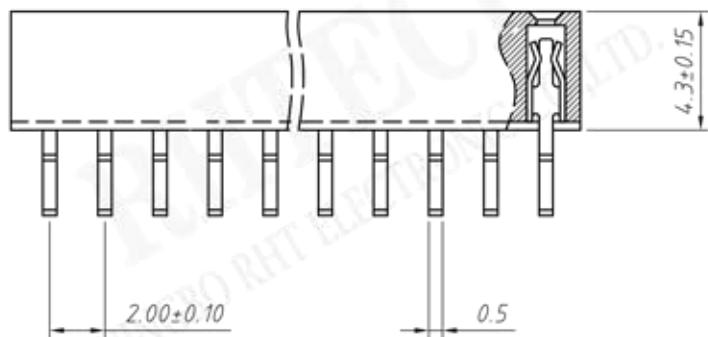


Recommended P.C.B Layout (Top Side)
(PCB BOARD TOLERANCE ±0.05)

Material:
Standard: PBT/PA6T
Contact: Brass
Plating: Au or Sn Over Ni
Insulator: Polyester, UL94V-0

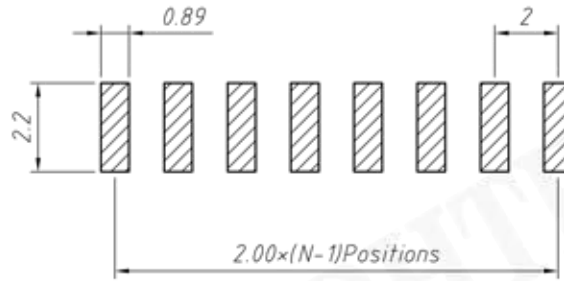
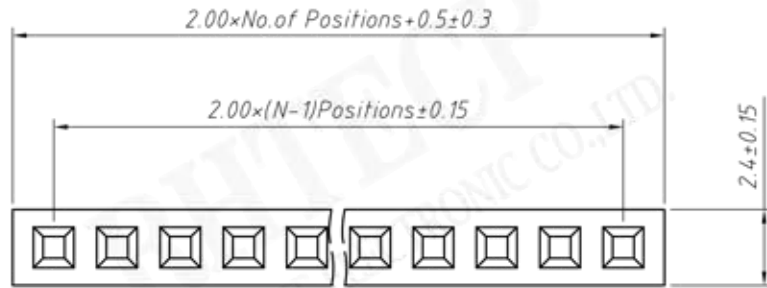
Electrical Characteristics:
Rated Current: 1.5AMP
Contact Resistance: 20mΩ Max
Withstand Voltage: 500V AC/DC
Insulator Resistance: 1000MΩ Min

Mechanical
Operating Temperature: -40°C ~ +105°C
Max. Processing Temp: 230°C for 30-60 seconds (260°C for 10 seconds)

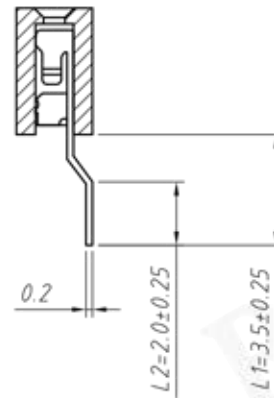
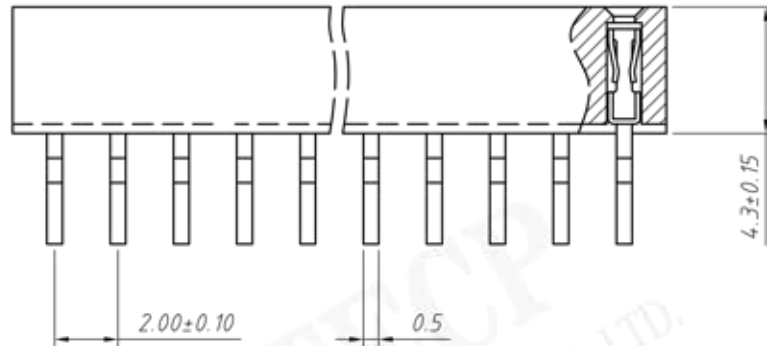


Order Information:
RE - C - 208B - 4.3 - 2 - XX - R - B

Female Header
Series 208B: 2.00mm
Plastics Height: 4.3mm
Per Row: Double layer
Pin: No. of Pins (02~80)
Type: Right Angle Pin
Material: A=PBT B=PA6T C=LCP



Recommended P.C.B Layout (Top Side)
(PCB BOARD TOLERANCE ± 0.05)



Dimension antitheses list (mm)			
ITEM	L1	L2	Plastic Height
Standard	3.50	2.00	4.30
Nonstandard	---	---	---

Material:
Standard: PA6T
Contact: Phosphor Bronze
Plating: Au or Sn Over Ni
Insulator: Polyester, UL 94 V-0

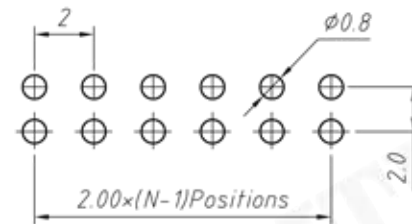
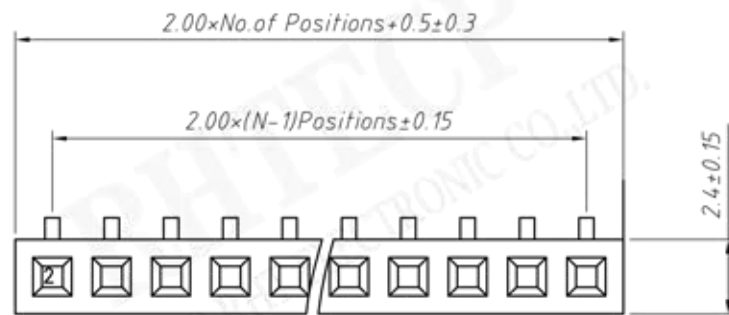
Electrical Characteristics:
Rated Current: 1.5AMP
Contact Resistance: 20mΩ Max
Withstand Voltage: 500V AC/DC
Insulator Resistance: 1000MΩ Min

Mechanical
Operating Temperature: -40°C ~ +105°C
Max. Processing Temp: 230°C for 30-60 seconds (260°C for 10 seconds)

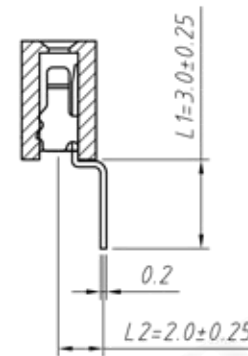
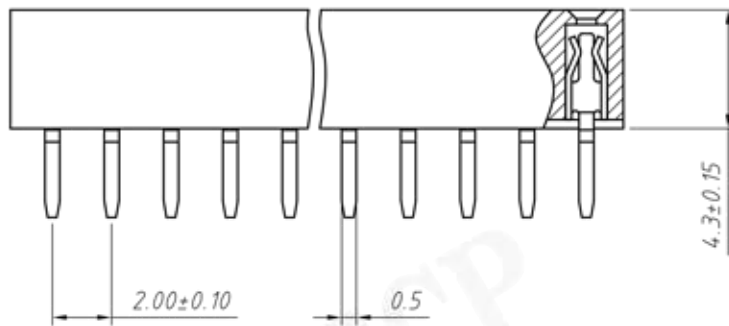
Order Information:

RE - C - 208B - 4.3 - 1 - XX - RM - L1 x L2 - N - B - R

Female Header
Series 208B: 2.00mm
Plastics Height: 4.3mm
Per Row: Single layer
Pin: No. of Pins (1x40)
SMT Type: Horizontal SMT
Size: L1 x L2
Post: W=With Post N=Without Post
Material: A=PBT B=PA6T C=LCP
Packing:
A=Tray T=Tube M=Reel+Mylar
P=Tube+Cap R=Reel+Cap



Recommended P.C.B Layout (Top Side)
(PCB BOARD TOLERANCE ± 0.05)



Material:
Standard: PBT/PA6T
Contact: Brass
Plating: Au or Sn Over Ni
Insulator: Polyester, UL94V-0

Electrical Characteristics:
Rated Current: 1.5AMP
Contact Resistance: 20mΩ Max
Withstand Voltage: 500V AC/DC
Insulator Resistance: 1000MΩ Min

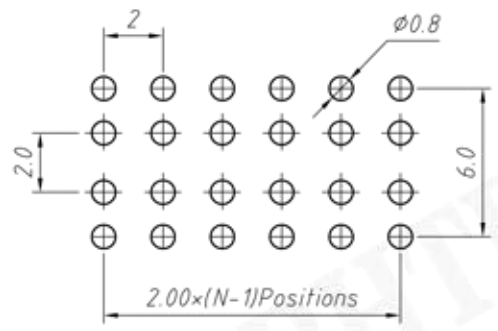
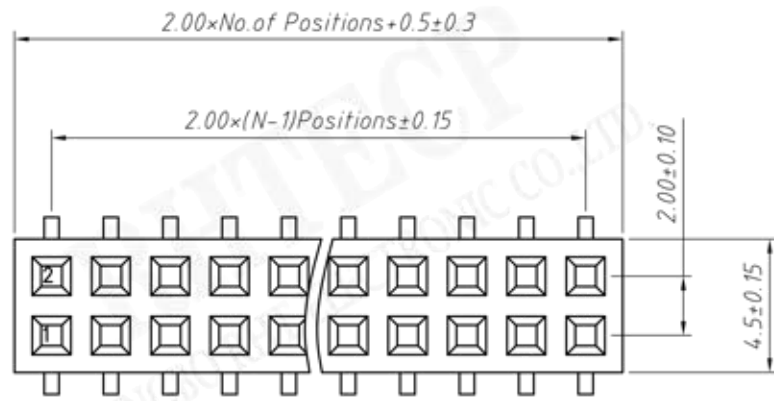
Mechanical
Operating Temperature: -40°C ~ +105°C
Max. Processing Temp: 230°C for 30-60 seconds (260°C for 10 seconds)

Order Information:
RE - C - 208B - 4.3 - 1 - XX - W - L1 x L2 - B

Female Header
Series 208B: 2.00mm
Plastics Height: 4.3mm
Per Row: Single layer
Pin: No. of Pins (1x40)
Type: Bottom Entry
Size: L1 x L2
Material: A=PBT B=PA6T C=LCP

Dimension antitheses list (mm)

ITEM	L1	L2	Plastic Height
Standard	3.00	2.00	4.30
Nonstandard	---	---	---

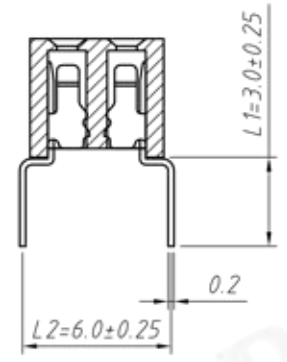
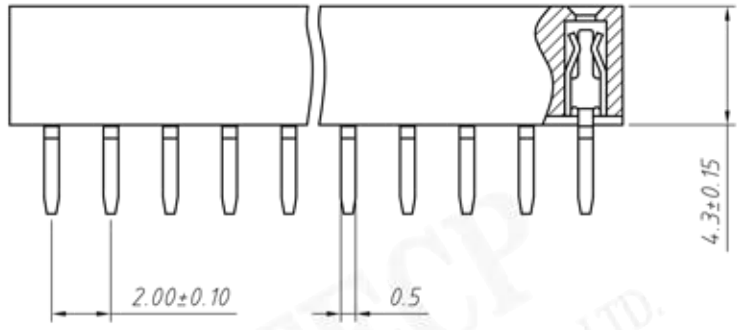


Recommended P.C.B Layout (Top Side)
(PCB BOARD TOLERANCE ±0.05)

Material:
 Standard: PBT/PA6T
 Contact: Brass
 Plating: Au or Sn Over Ni
 Insulator: Polyester, UL94V-0

Electrical Characteristics:
 Rated Current: 1.5AMP
 Contact Resistance: 20mΩ Max
 Withstand Voltage: 500V AC/DC
 Insulator Resistance: 1000MΩ Min

Mechanical
 Operating Temperature: -40°C ~ +105°C
 Max. Processing Temp: 230°C for 30-60 seconds (260°C for 10 seconds)



Order Information:
 RE - C - 208B - 4.3 - 2 - XX - W - L1 x L2 - B

Female Header
 Series 208B: 2.00mm
 Plastics Height: 4.3mm
 Per Row: Double layer
 Pin: No. of Pins (02~80)
 Type: Bottom Entry
 Size: L1 x L2
 Material: A=PBT B=PA6T C=LCP

Dimension antitheses list (mm)			
ITEM	L1	L2	Plastic Height
Standard	3.00	6.00	4.30
Nonstandard	---	---	---

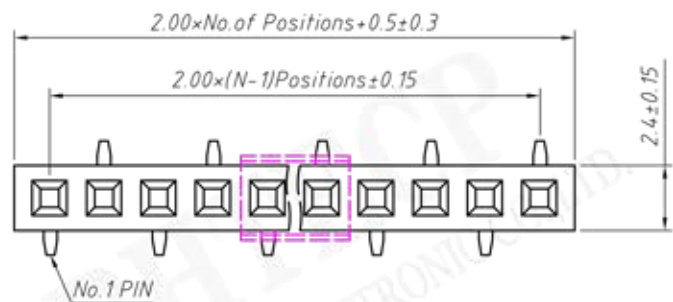


NINGBO RHT ELECTRONIC CO.,LTD

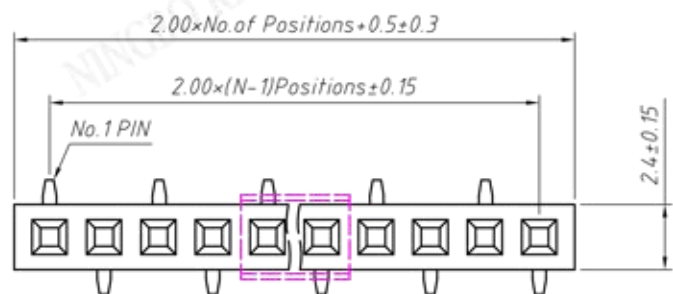
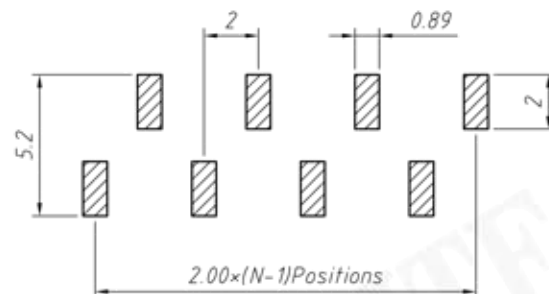
UNITS: mm	SHEET SIZE: A4		SCALE: ---
>0~3	>3~18	>18~50	>50~120
±0.12	±0.15	±0.3	±0.5

RE - C - 208B - 4.3 - 2 - XX - W - L1 x L2 - B

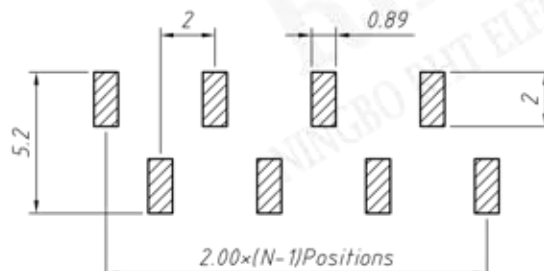
CONNECTORS



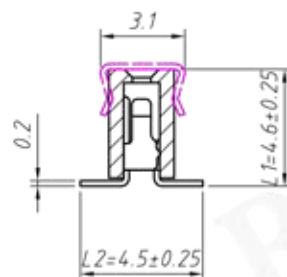
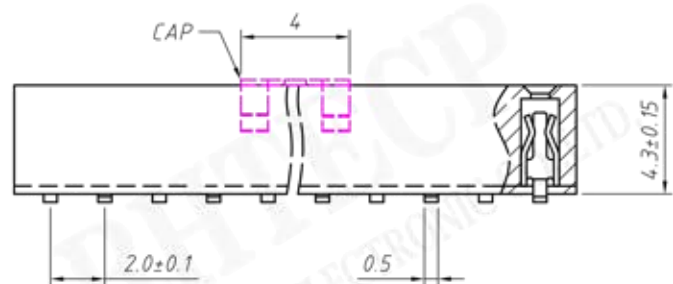
T2 Type



T1 Type



Recommended P.C.B Layout (Top Side)
(PCB BOARD TOLERANCE ± 0.05)



Material:
Standard: PA6T
Contact: Brass
Contact plating: Au or Sn over Ni
Nickel Insulator: Polyester, UL 94 V-0

Electrical Characteristics:
Rated Current: 1.5AMP
Contact Resistance: 20mΩ Max
Withstand Voltage: 500V AC/DC
Insulator Resistance: 1000MΩ Min

Mechanical
Operating Temperature: -40°C ~ +105°C
Max. Processing Temp: 230°C for 30-60 seconds (260°C for 10 seconds)

Order Information:
RE - C - 208B - 4.3 - 1 - XX - T1 - L1 x L2 - N - B - R

Pin Header Series
208B: 2.00mm
Plastics Height: 4.3mm
Per Row: Single layer
Pin: No. of Pins (1x40)
SMT Pin: T1 Type, T2 Type
Size: L1 x L2
Post: W=With Post N=Without Post
Material: A=PBT B=PA6T C=LCP
Packing:
A=Tray T=Tube M=Reel+Mylar
P=Tube+Cap R=Reel+Cap

Dimension antitheses list (mm)			
ITEM	L1	L2	Plastic Height
Standard	4.60	4.50	4.30
Nonstandard	---	---	---



NINGBO RHT ELECTRONIC CO.,LTD

UNITS: mm

SHEET SIZE: A4

SCALE: ---

>0~3

>3~18

>18~50

>50~120

±0.12

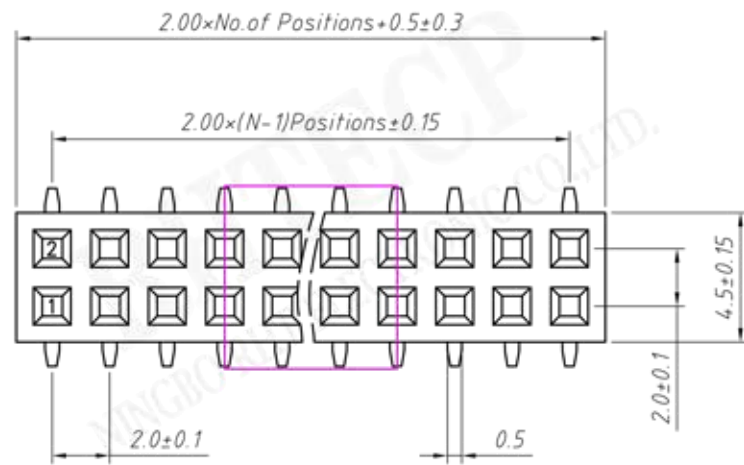
±0.15

±0.3

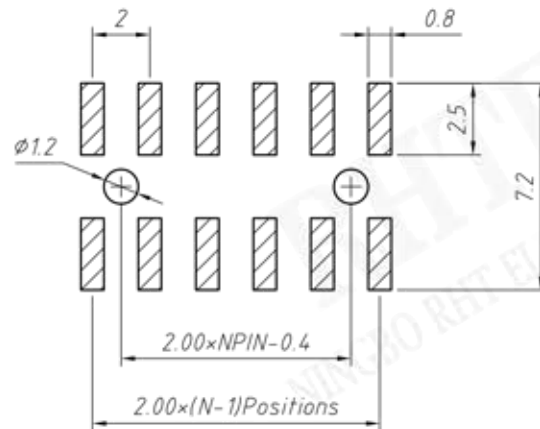
±0.5

RE - C - 208B - 4.3 - 1 - XX - T1 - L1 x L2 - N - B - R

CONNECTORS



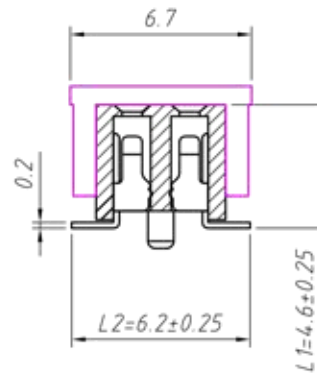
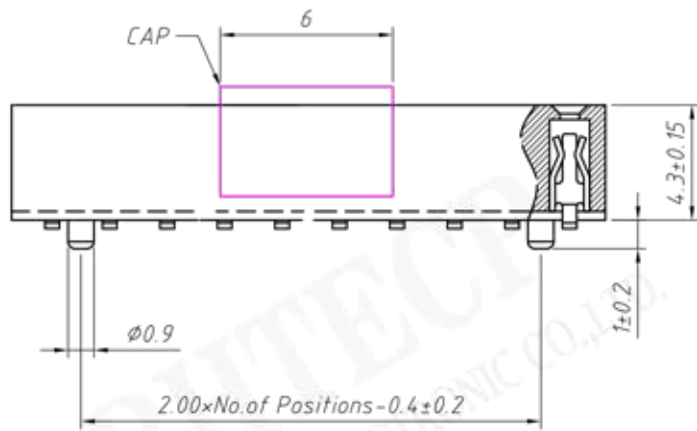
Recommended P.C.B Layout (Top Side)
(PCB BOARD TOLERANCE ± 0.05)



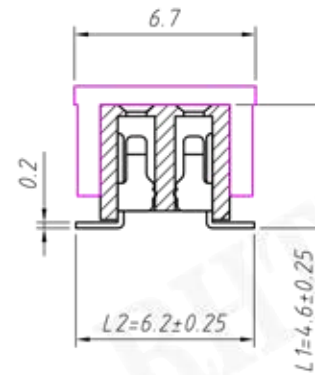
Material:
Standard: PA6T
Contact: Brass
Contact plating: Au or Sn over Ni
Nickel Insulator: Polyester, UL94V-0

Electrical Characteristics:
Rated Current: 1.5AMP
Contact Resistance: 20mΩ Max
Withstand Voltage: 500V AC/DC
Insulator Resistance: 1000MΩ Min

Mechanical
Operating Temperature: -40°C ~ +105°C
Max. Processing Temp: 230°C for 30-60 seconds (260°C for 10 seconds)



T3=With Post



T=Without Post

Order Information:

RE - C - 208B - 4.3 - 2 - XX - T - L1 x L2 - B - R

Pin Header Series
208B: 2.00mm
Plastics Height: 4.3mm
Per Row: Double layer
Pin: No. of Pins (02~80)
SMT: T=Without Post, T3=With Post
Size: L1 x L2
Material: A=PBT B=PA6T C=LCP
Packing:
A=Tray T=Tube M=Reel+Mylar
P=Tube+Cap R=Reel+Cap

Dimension antitheses list (mm)			
ITEM	L1	L2	Plastic Height
Standard	4.60	6.20	4.30
Nonstandard	---	---	---