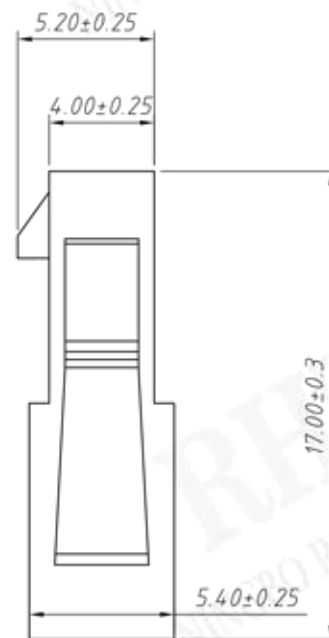
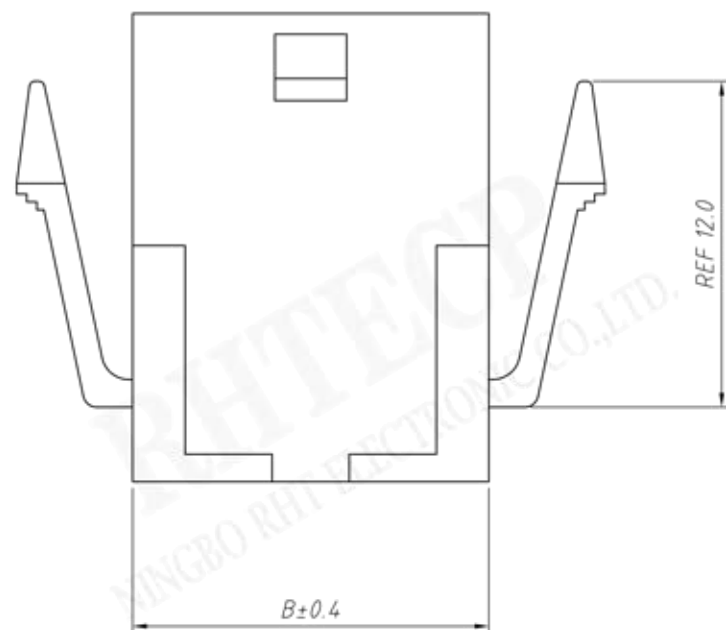


Material:
Housing:PA66,UL94V-2

Electrical Characteristics:
Rated Current:5.0AMP
Voltage rating:250V AC,DC
Temperature range:-25°C ~ +85°C
Insulator Resistance:1000MΩ Min
Withstanding Voltage:1500V AC/minute
Contact Resistance:10mΩ Max

Pin	Dimensions(mm)	
	A	B
02	3.00	7.00
03	6.00	10.00
04	9.00	13.00
05	12.00	16.00
06	15.00	19.00
07	18.00	22.00
08	21.00	25.00
09	24.00	28.00
10	27.00	31.00
11	30.00	34.00
12	33.00	37.00



Order Information:

RE - C - XM1 - 3.00 - 1x02 - FH

Pitch:3.00mm

Pins:

1-Single layer

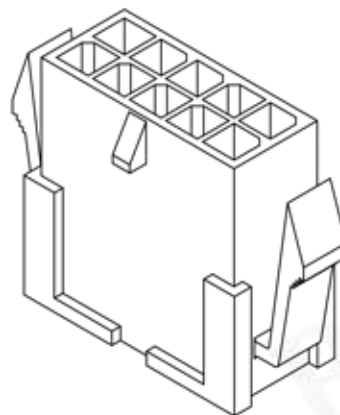
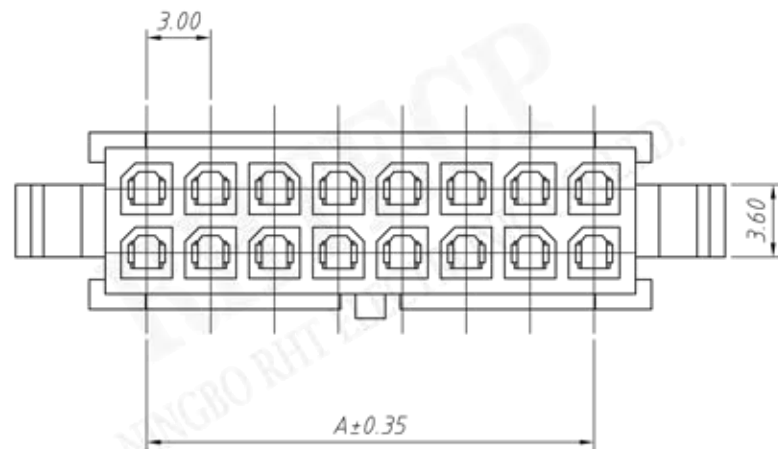
2-Double layer

XX-No.of 02~12 pins

Type:

MH / FH / FHN-Hosing

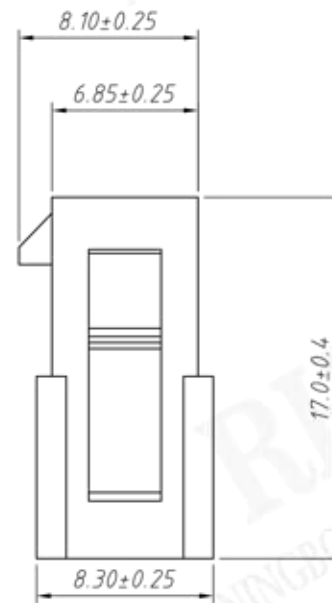
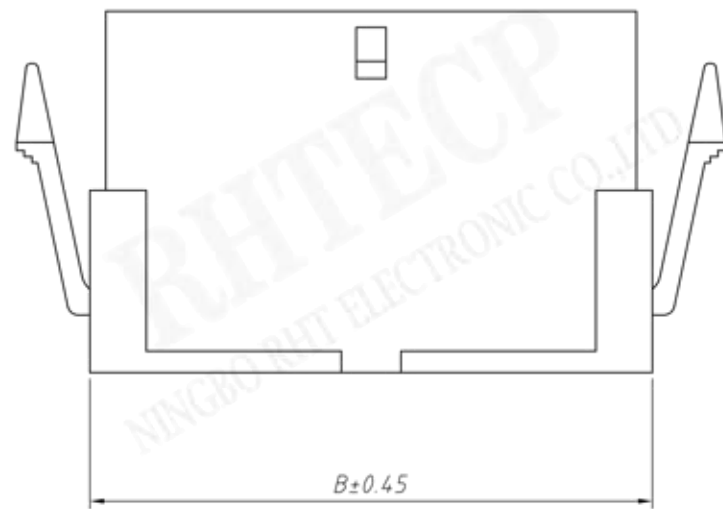
MT / FT-Terminal



Material:
Housing:PA66,UL 94V-2

Electrical Characteristics:
Rated Current:5.0AMP
Voltage rating:250V AC,DC
Temperature range:-25°C ~ + 85°C
Insulator Resistance:1000MΩ Min
Withstanding Voltage:1500V AC/minute
Contact Resistance:10mΩ Max

Pin	Dimensions(mm)	
	A	B
2×01	---	5.35
2×02	3.00	8.35
2×03	6.00	11.35
2×04	9.00	14.35
2×05	12.00	17.35
2×06	15.00	20.35
2×07	18.00	23.35
2×08	21.00	26.35
2×09	24.00	29.35
2×10	27.00	32.35
2×11	30.00	35.35
2×12	33.00	38.35



Order Information:

RE - C - XM1 - 3.00 - 2×01 - FH

Pitch:3.00mm

Pins:

1-Single layer

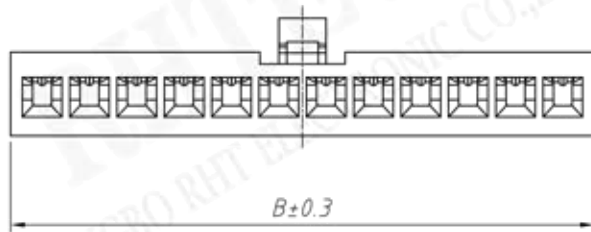
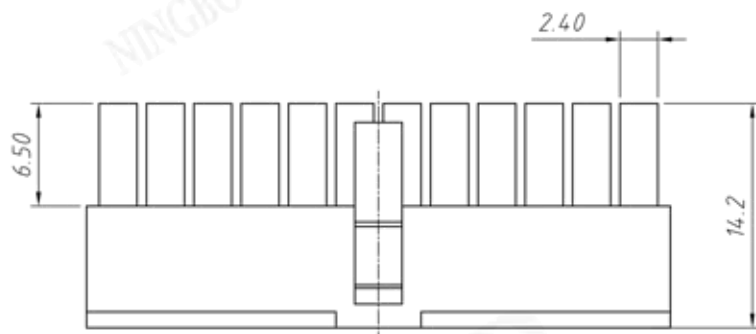
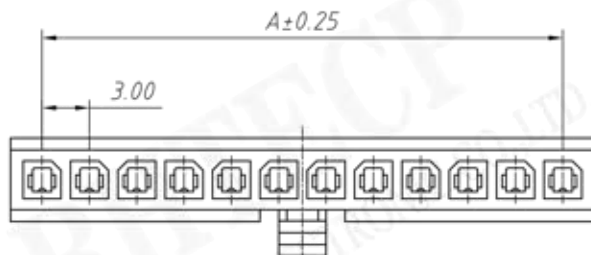
2-Double layer

XX-No.of 01 ~ 12 pins

Type:

MH / FH / FHN-Hosing

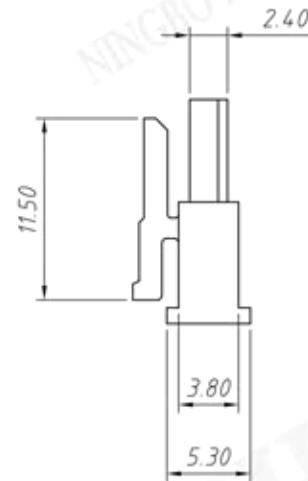
MT / FT-Terminal



Material:
Housing:PA66,UL 94V-0/2

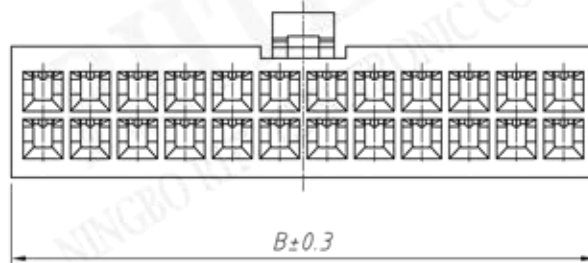
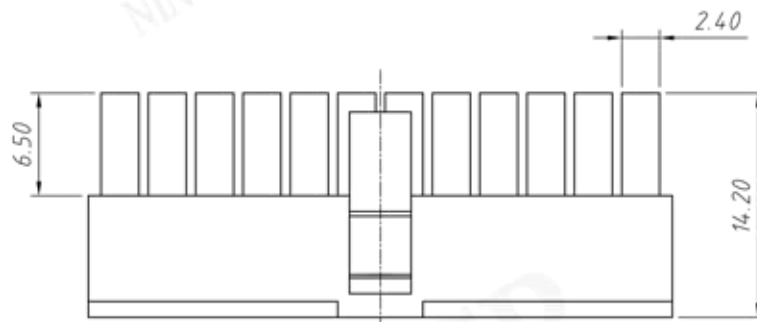
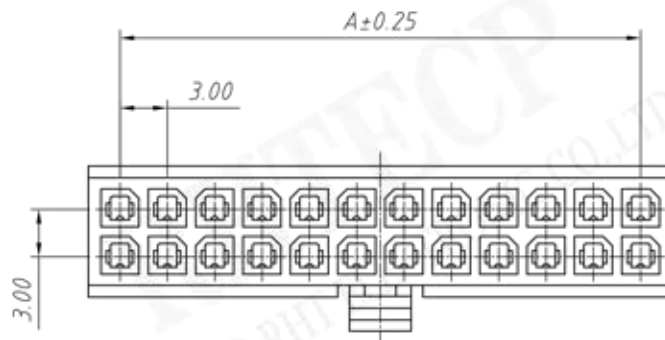
Electrical Characteristics:
Rated Current:5.0AMP
Voltage rating:250V AC,DC
Temperature range:-25°C ~ +85°C
Insulator Resistance:1000MΩ Min
Withstanding Voltage:1500V AC/minute
Contact Resistance:10mΩ Max

Pin	Dimensions(mm)	
	A	B
02	3.00	7.00
03	6.00	10.00
04	9.00	13.00
05	12.00	16.00
06	15.00	19.00
07	18.00	22.00
08	21.00	25.00
09	24.00	28.00
10	27.00	31.00
11	30.00	34.00
12	33.00	37.00



Order Information:
RE-C-XM1-3.00-1x02-MH

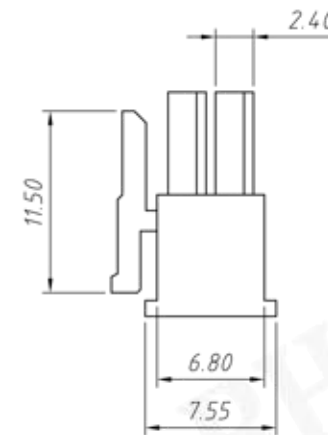
Pitch:3.00mm
Pins: _____
1-Single layer
2-Double layer
XX-No.of 02~12 pins
Type: _____
MH / FH / FHN-Hosing
MT / FT-Terminal



Material:
Housing:PA66,UL94V-0/2

Electrical Characteristics:
Rated Current:5.0AMP
Voltage rating:250V AC,DC
Temperature range:-25°C + 85°C
Insulator Resistance:1000MΩ Min
Withstanding Voltage:1500V AC/minute
Contact Resistance:10mΩ Max

Pin	Dimensions(mm)	
	A	B
2×01	---	5.50
2×02	3.00	8.50
2×03	6.00	10.00
2×04	9.00	13.00
2×05	12.00	16.00
2×06	15.00	19.00
2×07	18.00	22.00
2×08	21.00	25.00
2×09	24.00	28.00
2×10	27.00	31.00
2×11	30.00	34.00
2×12	33.00	37.00



Order Information:

RE-C-XM1-3.00-2×01-MH

Pitch:3.00mm

Pins:

1-Single layer

2-Double layer

XX-No. of 01~12 pins

Type:

MH / FH / FHN-Hosing

MT / FT-Terminal

RHTECP NINGBO RHT ELECTRONIC CO.,LTD

UNITS:mm

SHEET SIZE:A4

SCALE:---

RE-C-XM1-3.00-2×01-MH

>0~3

>3~18

>18~50

>50~120

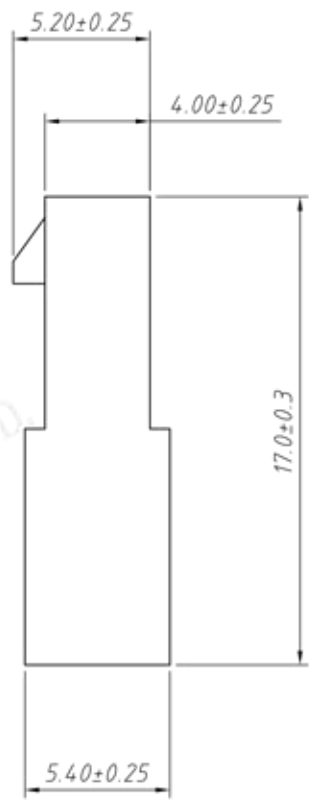
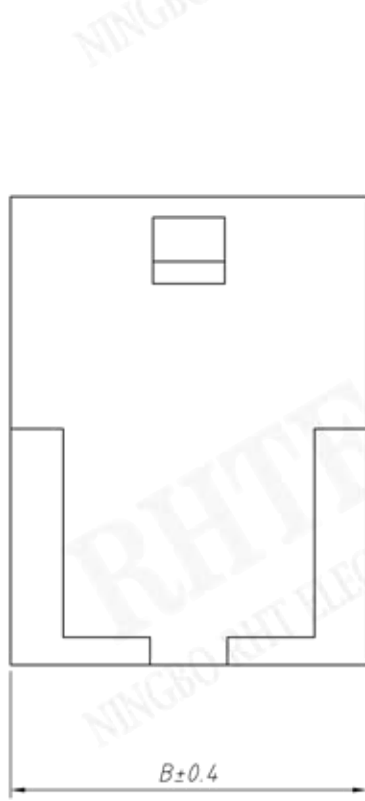
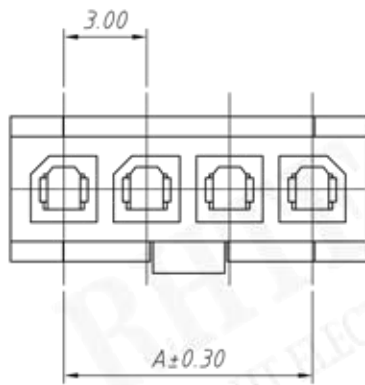
±0.12

±0.15

±0.3

±0.5

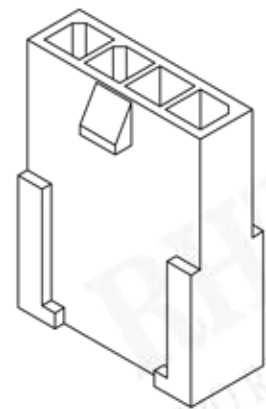
CONNECTORS



Material:
Housing: PA66, UL 94V-2

Electrical Characteristics:
Rated Current: 5.0AMP
Voltage rating: 250V AC, DC
Temperature range: -25°C ~ +85°C
Insulator Resistance: 1000MΩ Min
Withstanding Voltage: 1500V AC/minute
Contact Resistance: 10mΩ Max

Pin	Dimensions (mm)	
	A	B
02	3.00	7.00
03	6.00	10.00
04	9.00	13.00
05	12.00	16.00
06	15.00	19.00
07	18.00	22.00
08	21.00	25.00
09	24.00	28.00
10	27.00	31.00
11	30.00	34.00
12	33.00	37.00



Order Information:
RE-C-XM1-3.00-1x02-FHN

Pitch: 3.00mm
Pins: _____
1-Single layer
2-Double layer
XX-No. of 02~12 pins _____
Type: _____
MH / FH / FHN-Housing
MT / FT-Terminal

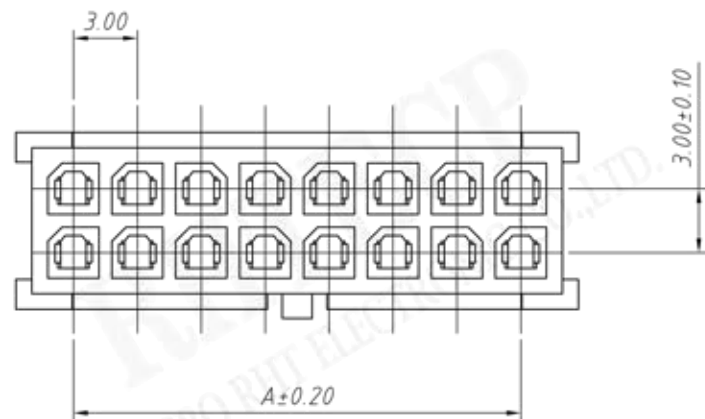


NINGBO RHT ELECTRONIC CO.,LTD

UNITS: mm	SHEET SIZE: A4		SCALE: ---
>0~3	>3~18	>18~50	>50~120
±0.12	±0.15	±0.3	±0.5

RE-C-XM1-3.00-1x02-FHN

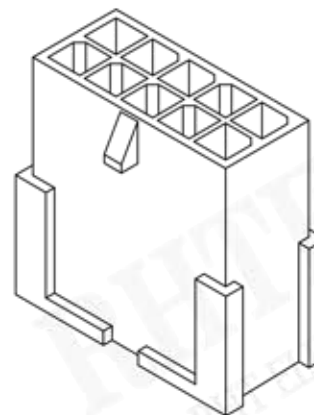
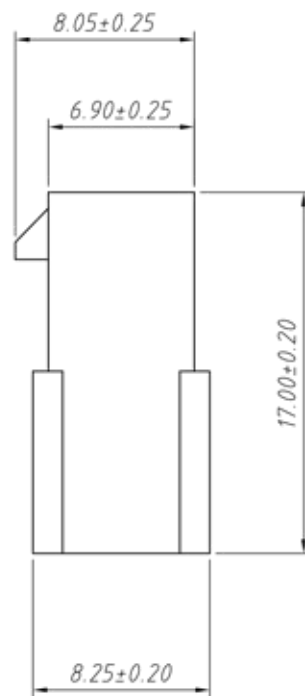
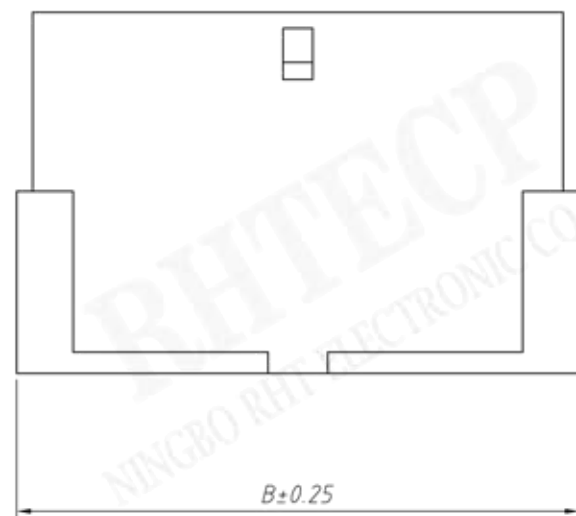
CONNECTORS



Material:
Housing:PA66,UL94V-2

Electrical Characteristics:
Rated Current:5.0AMP
Voltage rating:250V AC,DC
Temperature range:-25°C ~ +85°C
Insulator Resistance:1000M Ω Min
Withstanding Voltage:1500V AC/minute
Contact Resistance:20m Ω Max

Pin	Dimensions(mm)	
	A	B
2×01	---	3.85
2×02	3.00	6.85
2×03	6.00	9.85
2×04	9.00	12.85
2×05	12.00	15.85
2×06	15.00	18.85
2×07	18.00	21.85
2×08	21.00	24.85
2×09	24.00	27.85
2×10	27.00	30.85
2×11	30.00	33.85
2×12	33.00	36.85



Order Information:

RE - C - XM1 - 3.00 - 2×01 - FHN

Pitch:3.00mm

Pins:

1-Single layer

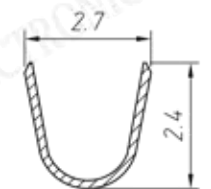
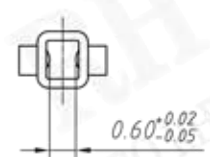
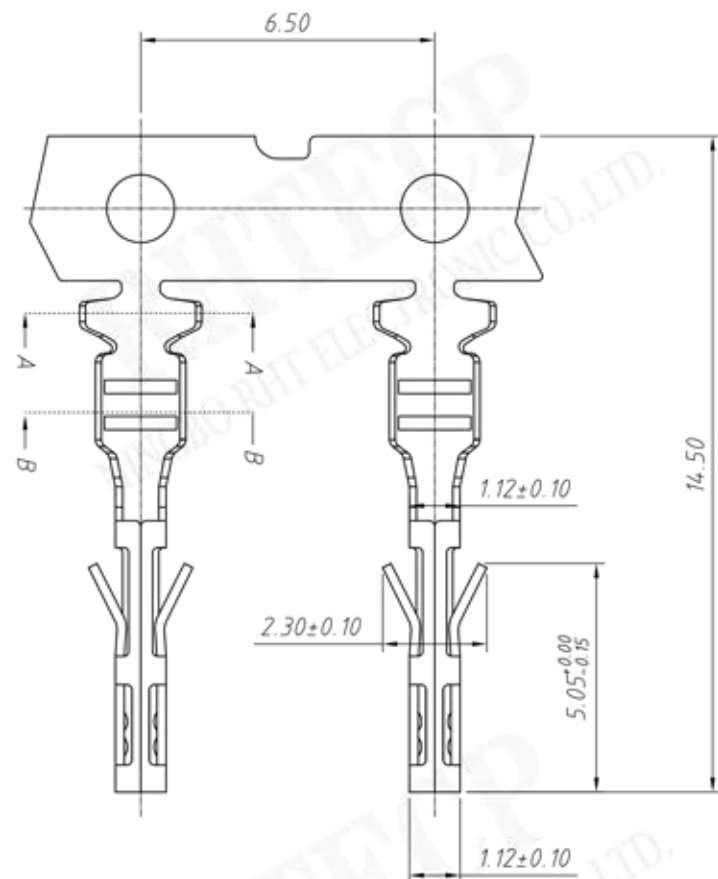
2-Double layer

XX-No.of 01 ~ 12 pins

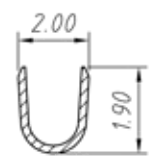
Type:

MH / FH / FHN-Hosing

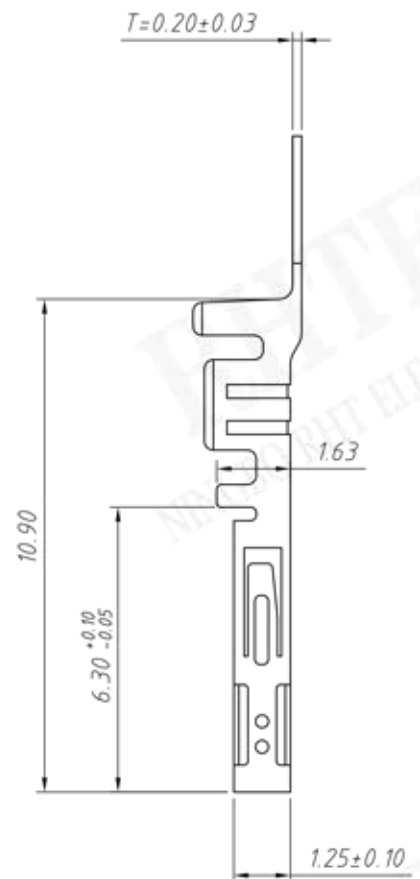
MT / FT-Terminal



SECTION A-A



SECTION B-B



Material:
 Terminal: Phosphor Bronze
 Plating: Tin plated Over nickel
 Applicable wires: AWG #20 ~ #24
 Insulation O.D.: 1.30 ~ 1.80mm
 Qty/reel: 10000PCS

Electrical Characteristics:
 Current rating: 5.0A AC, DC
 Voltage rating: 250V AC, DC
 Temperature range: -25°C ~ +85°C
 Insulation resistance: 1000MΩ/Min.
 Withstanding voltage: 1500V AC/minute
 Contact resistance: 10mΩ/Max.

Order Information:
 RE-C-XM1-3.00-FT

Pitch: 3.00mm
 Type: _____
 MH / FH / FHN-Hosing
 MT / FT-Terminal

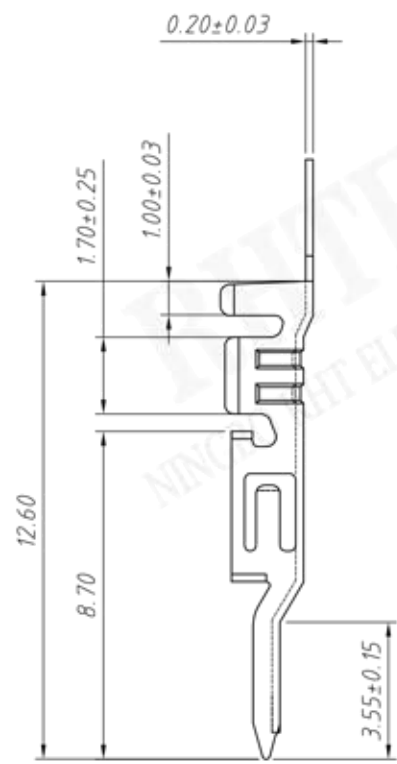
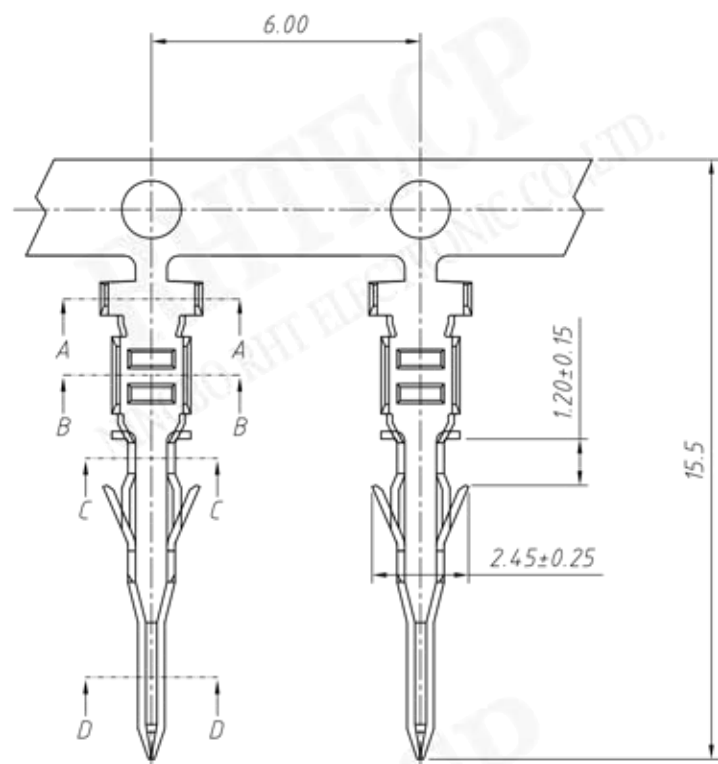


NINGBO RHT ELECTRONIC CO.,LTD

UNITS: mm	SHEET SIZE: A4		SCALE: ---	
>0~3	>3~18	>18~50	>50~120	
±0.12	±0.15	±0.3	±0.5	

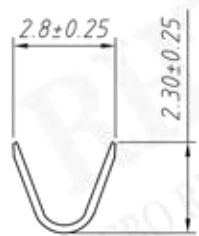
RE-C-XM1-3.00-FT

CONNECTORS

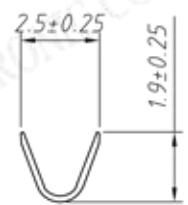


Material:
 Terminal: Phosphor Bronze
 Plating: Tin plated Over nickel
 Applicable wires: AWG #22 ~ #28
 Insulation O.D: 1.80mm Max.
 Qty/reel: 10000PCS

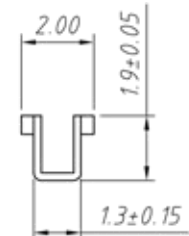
Electrical Characteristics:
 Current rating: 5.0A AC,DC
 Voltage rating: 250V AC,DC
 Temperature range: -25°C ~ +85°C
 Insulation resistance: 1000MΩ/Min.
 Withstanding voltage: 1500V AC/minute
 Contact resistance: 10mΩ/Max.



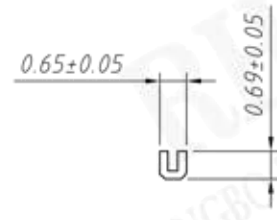
SECTION A-A



SECTION B-B



SECTION C-C



SECTION D-D

Order Information:
 RE-C-XM1-3.00-MT

Pitch: 3.00mm
 Type: _____
 MH / FH / FHN-Hosing
 MT / FT-Terminal

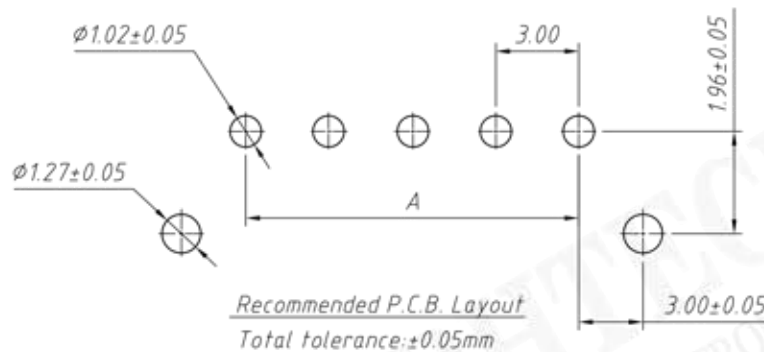
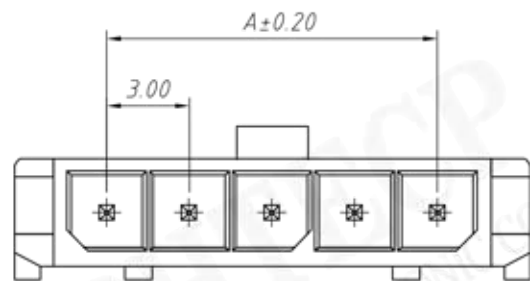


NINGBO RHT ELECTRONIC CO.,LTD

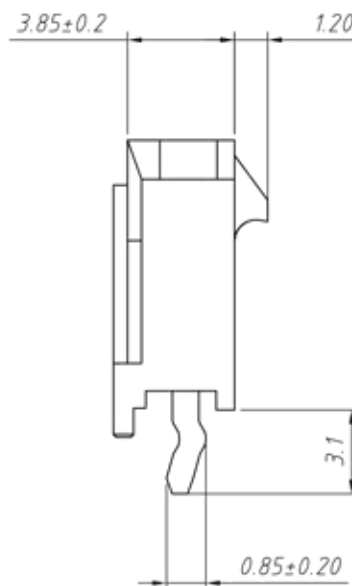
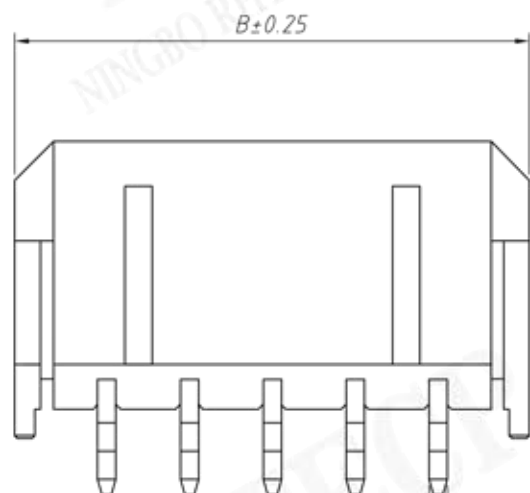
UNITS:mm	SHEET SIZE:A4		SCALE:---
>0~3	>3~18	>18~50	>50~120
±0.12	±0.15	±0.3	±0.5

RE-C-XM1-3.00-MT

CONNECTORS



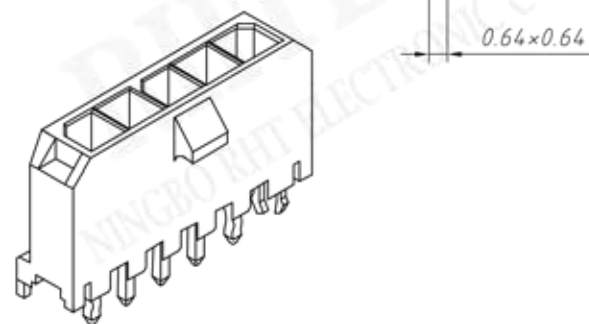
Pin	Dimensions(mm)	
	A	B
02	3.00	9.65
03	6.00	12.65
04	9.00	15.65
05	12.00	18.65
06	15.00	21.65
07	18.00	24.65
08	21.00	27.65
09	24.00	30.65
10	27.00	33.65
11	30.00	36.65
12	33.00	39.65

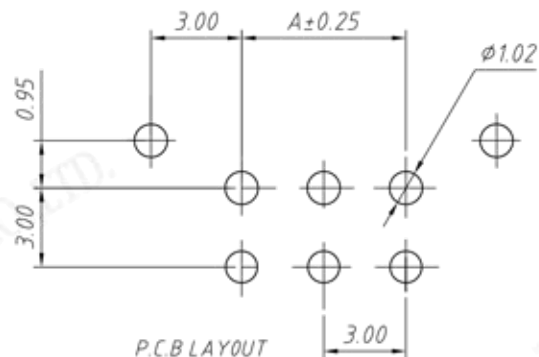
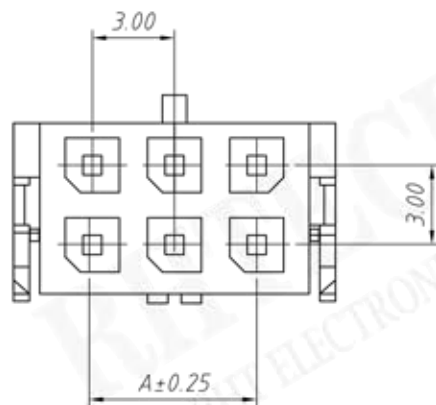


Material:
 Insulator: PA9T, UL94V-0
 Contact: Brass
 Plating: Tin plated or Gold plated

Electrical Characteristics:
 Rated Current: 5.0AMP
 Voltage rating: 250V AC,DC
 Temperature range: -25°C ~ +85°C
 Insulator Resistance: 1000M Ω Min
 Withstanding Voltage: 1500V AC/minute
 Contact Resistance: 10m Ω Max

Order Information:
 RE-C-XM1-3.00-1x02-S
 Pitch: 3.00mm
 Pins: _____
 1-Single layer
 2-Double layer
 XX-No. of 02~12 pins _____
 Type: _____
 S / SD-Straight male pin



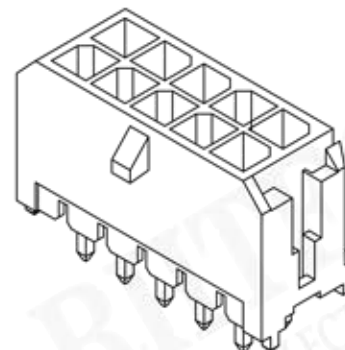
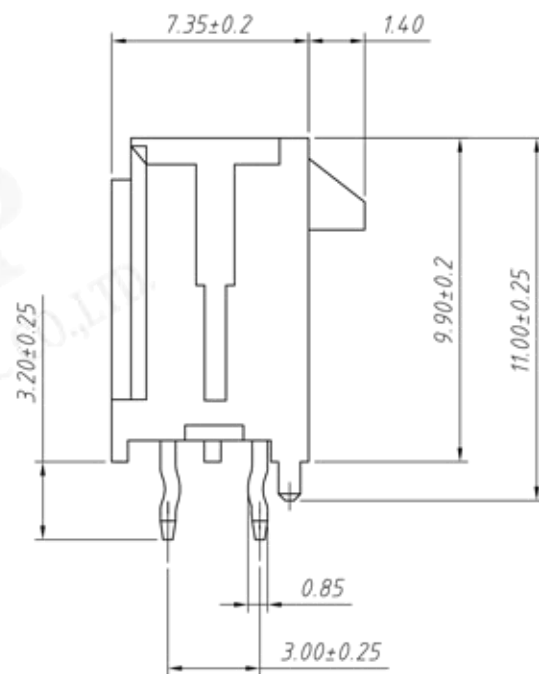
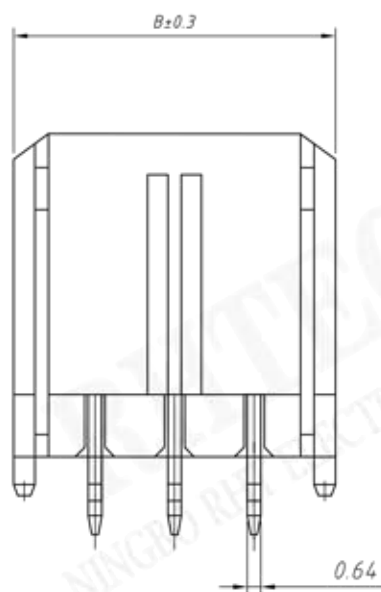


P.C.B LAYOUT

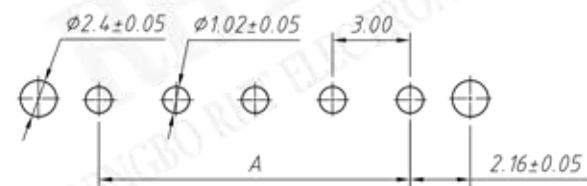
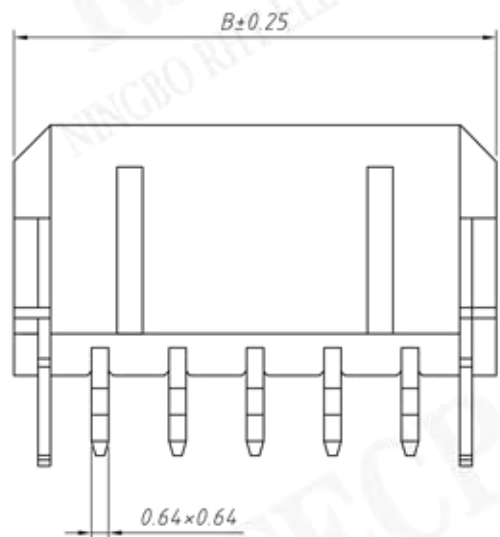
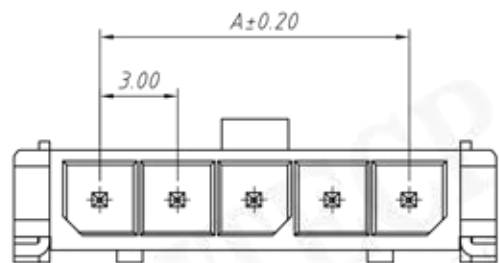
Material:
 Insulator: PA46, UL94V-0
 Contact: Brass
 Plating: Tin plated

Electrical Characteristics:
 Rated Current: 5.0AMP
 Voltage rating: 250V AC,DC
 Temperature range: $-25^{\circ}\text{C} \sim +85^{\circ}\text{C}$
 Insulator Resistance: $1000\text{M}\Omega$ Min
 Withstanding Voltage: 1500V AC/minute
 Contact Resistance: $10\text{m}\Omega$ Max

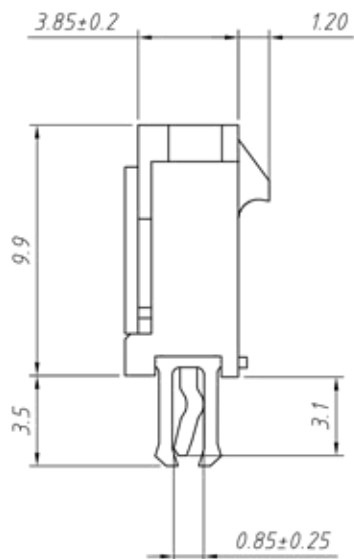
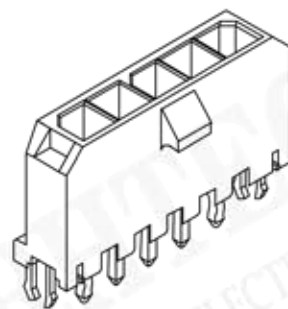
Pin	Dimensions(mm)	
	A	B
01	---	6.65
02	3.00	9.65
03	6.00	12.65
04	9.00	15.65
05	12.00	18.65
06	15.00	21.65
07	18.00	24.65
08	21.00	27.65
09	24.00	30.65
10	27.00	33.65
11	30.00	36.65
12	33.00	39.65



Order Information:
 RE-C-XM1-3.00-2×02-S
 Pitch: 3.00mm
 Pins: _____
 1-Single layer
 2-Double layer
 XX-No. of 01~12 pins
 Type: _____
 S / SD-Straight male pin



Recommended P.C.B. Layout
Total tolerance:±0.05mm

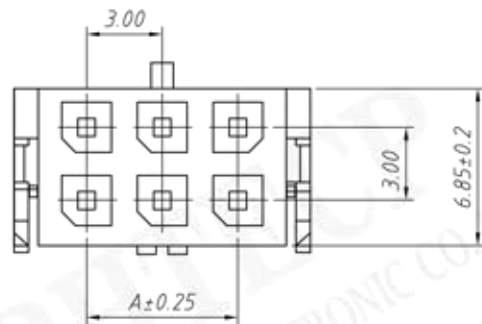


Pin	Dimensions(mm)	
	A	B
02	3.00	9.65
03	6.00	12.65
04	9.00	15.65
05	12.00	18.65
06	15.00	21.65
07	18.00	24.65
08	21.00	27.65
09	24.00	30.65
10	27.00	33.65
11	30.00	36.65
12	33.00	39.65

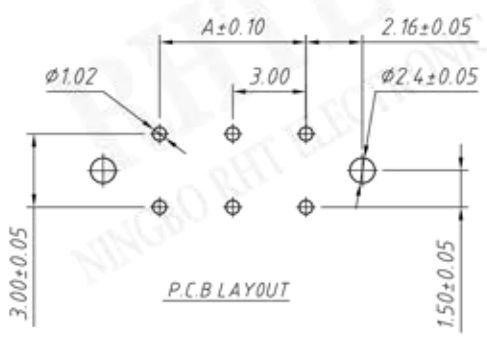
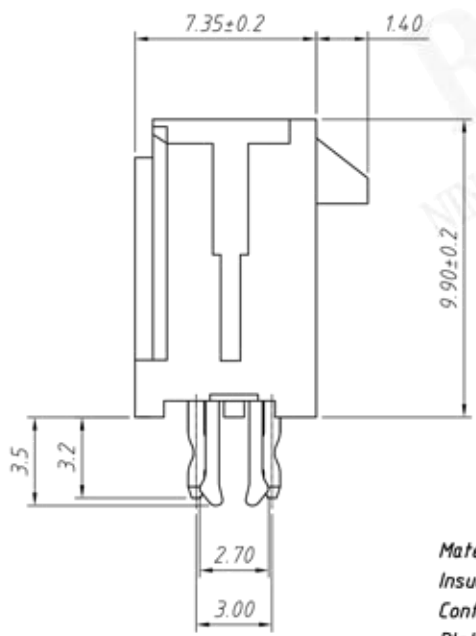
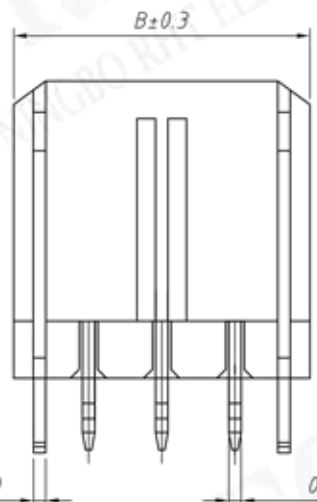
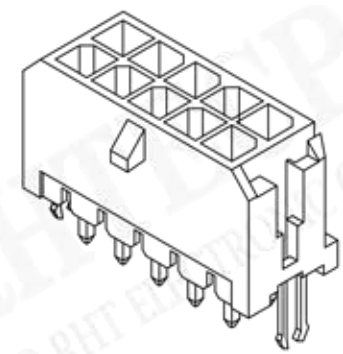
Material:
Insulator:LCP, UL94V-0
Contact:Brass
Plating: Tin plated or Gold plated

Electrical Characteristics:
Rated Current:5.0AMP
Voltage rating:250V AC,DC
Temperature range:-25°C ~ +85°C
Insulator Resistance:1000MΩ Min
Withstanding Voltage:1500V AC/minute
Contact Resistance:10mΩ Max

Order Information:
RE-C-XM1-3.00-1x02-SD
Pitch:3.00mm
Pins:
1-Single layer
2-Double layer
XX-No.of 02~12 pins
Type:
S / SD-Straight male pin



Pin	Dimensions(mm)	
	A	B
01	---	6.65
02	3.00	9.65
03	6.00	12.65
04	9.00	15.65
05	12.00	18.65
06	15.00	21.65
07	18.00	24.65
08	21.00	27.65
09	24.00	30.65
10	27.00	33.65
11	30.00	36.65
12	33.00	39.65



Material:
 Insulator: LCP, UL94V-0
 Contact: Brass
 Plating: Tin plated over Ni

Electrical Characteristics:
 Rated Current: 5.0AMP
 Voltage rating: 250V AC, DC
 Temperature range: -25°C ~ +85°C
 Insulator Resistance: 1000MΩ Min
 Withstanding Voltage: 1500V AC/minute
 Contact Resistance: 10mΩ Max

Order Information:
 RE-C-XM1-3.00-2x02-SD

Pitch: 3.00mm
 Pins: _____
 1-Single layer
 2-Double layer
 XX-No. of 01~12 pins _____
 Type: _____
 S / SD-Straight male pin

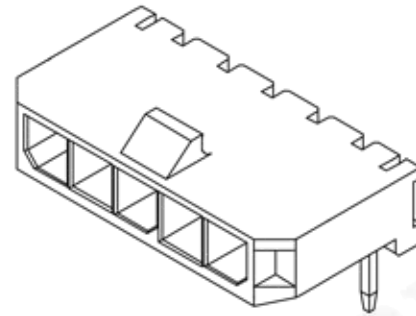
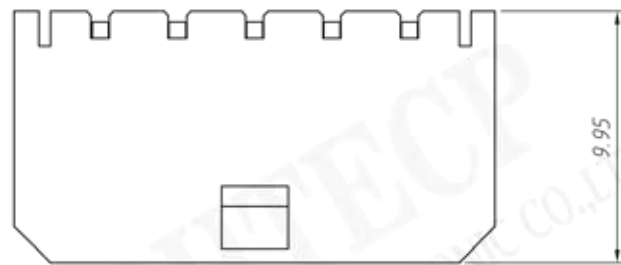


NINGBO RHT ELECTRONIC CO.,LTD

UNITS:mm	SHEET SIZE:A4	SCALE:---
>0~3	>3~18	>18~50
±0.12	±0.15	±0.3
		±0.5

RE-C-XM1-3.00-2x02-SD

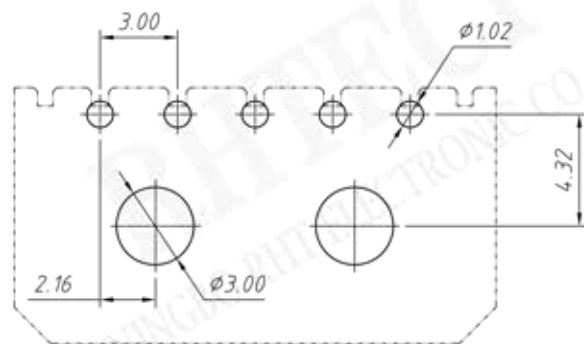
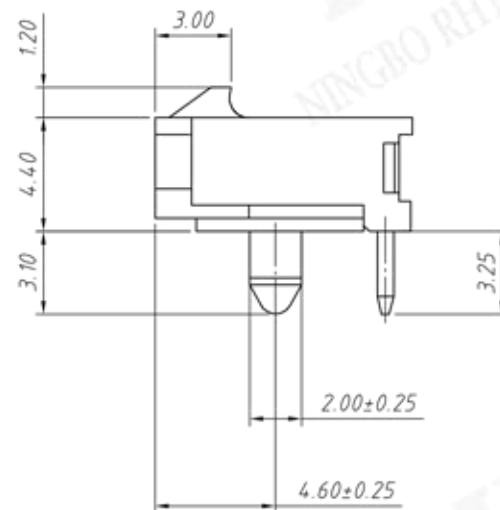
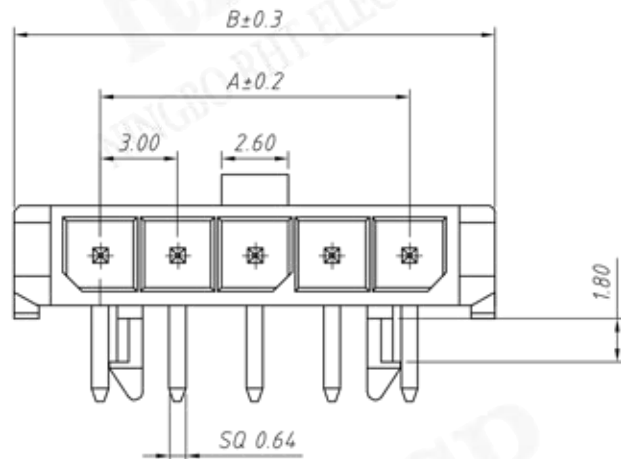
CONNECTORS



Material:
 Insulator: PA9T, UL94V-0
 Contact: Brass
 Plating: Tin plated or Gold plated

Electrical Characteristics:
 Rated Current: 5.0AMP
 Voltage rating: 250V AC, DC
 Temperature range: -25°C ~ +85°C
 Insulator Resistance: 1000M Ω Min
 Withstanding Voltage: 1500V AC/minute
 Contact Resistance: 10m Ω Max

Pin	Dimensions(mm)	
	A	B
02	3.00	9.65
03	6.00	12.65
04	9.00	15.65
05	12.00	18.65
06	15.00	21.65
07	18.00	24.65
08	21.00	27.65
09	24.00	30.65
10	27.00	33.65
11	30.00	36.65
12	33.00	39.65



Recommended P.C.B. Layout
 Total tolerance: ±0.05mm

Order Information:

RE-C-XM1-3.00-1x02-R

Pitch: 3.00mm

Pins: _____

1-Single layer

2-Double layer

XX-No. of 02 ~ 12 pins _____

Type: _____

R / RC-Right angle male pin

RHTECP NINGBO RHT ELECTRONIC CO.,LTD

UNITS:mm

SHEET SIZE:A4

SCALE:---

RE-C-XM1-3.00-1x02-R

>0~3

>3~18

>18~50

>50~120

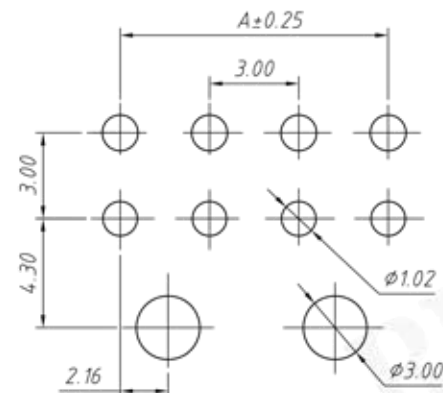
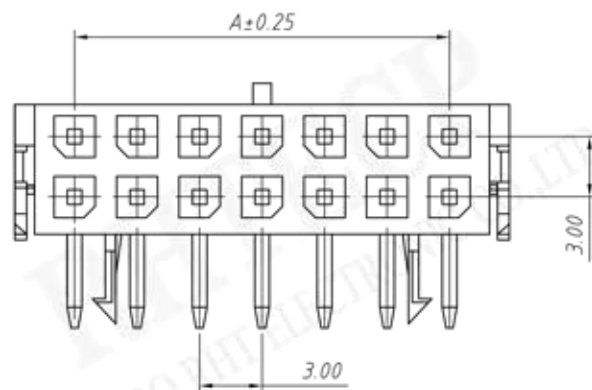
±0.12

±0.15

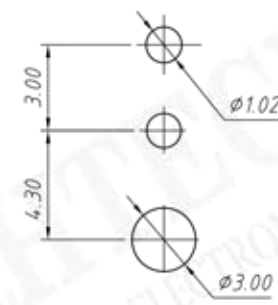
±0.3

±0.5

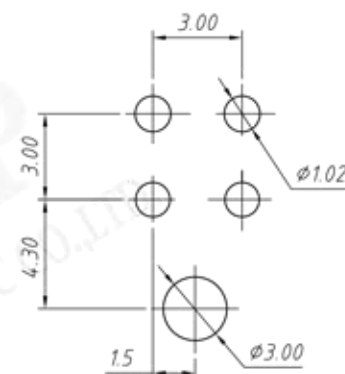
CONNECTORS



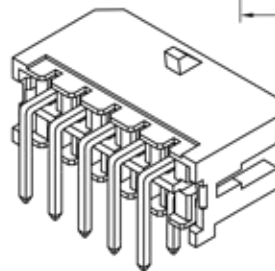
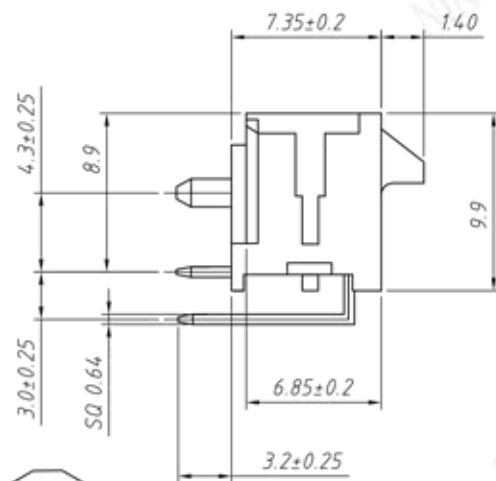
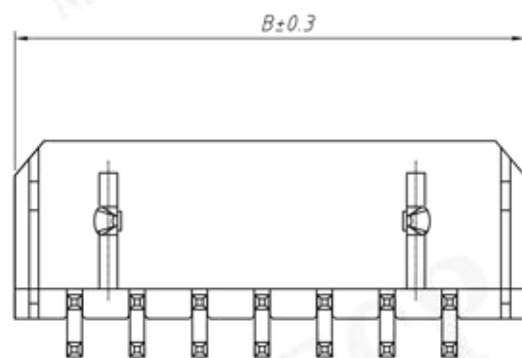
2x4P 2x12P P.C.B LAYOUT



2x1P P.C.B LAYOUT



2x2P 2x3P P.C.B LAYOUT



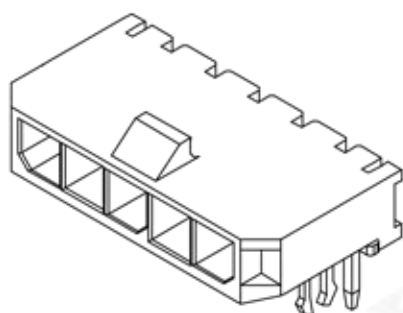
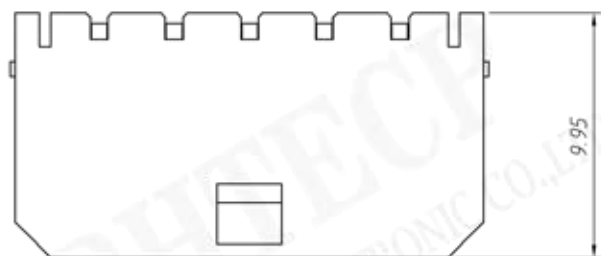
Pin	Dimensions(mm)	
	A	B
01	---	6.65
02	3.00	9.65
03	6.00	12.65
04	9.00	15.65
05	12.00	18.65
06	15.00	21.65
07	18.00	24.65
08	21.00	27.65
09	24.00	30.65
10	27.00	33.65
11	30.00	36.65
12	33.00	39.65

Material:
Insulator:PA46, UL94V-0
Contact:Brass
Plating: Tin plated

Electrical Characteristics:
Rated Current:5.0AMP
Voltage rating:250V AC,DC
Temperature range:-25°C ~ +85°C
Insulator Resistance:1000MΩ Min
Withstanding Voltage:1500V AC/minute
Contact Resistance:10mΩ Max

Order Information:
RE-C-XM1-3.00-2x02-R

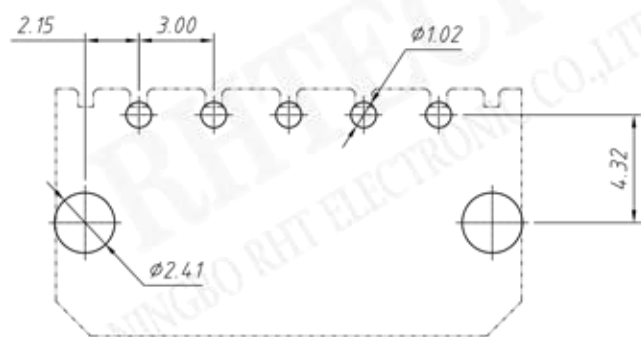
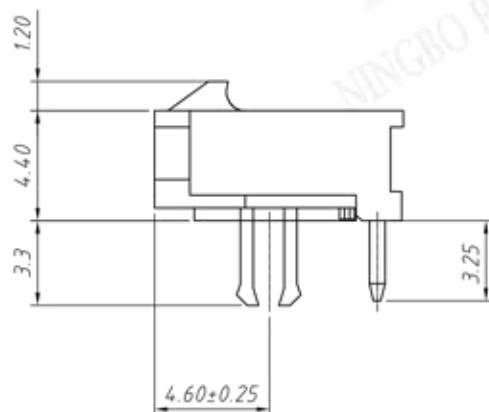
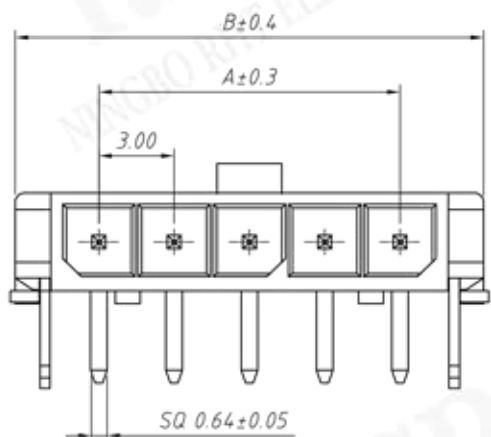
Pitch:3.00mm
Pins:
1-Single layer
2-Double layer
XX-No.of 01 12 pins
Type:
R / RC-Right angle male pin



Material:
 Insulator:LCP , UL94 V-0
 Contact:Brass
 Plating: Tin plated or Gold plated

Electrical Characteristics:
 Rated Current:5.0AMP
 Voltage rating:250V AC,DC
 Temperature range:-25°C ~ + 85°C
 Insulator Resistance:1000M Ω Min
 Withstanding Voltage:1500V AC/minute
 Contact Resistance:10m Ω Max

Pin	Dimensions(mm)	
	A	B
02	3.00	9.65
03	6.00	12.65
04	9.00	15.65
05	12.00	18.65
06	15.00	21.65
07	18.00	24.65
08	21.00	27.65
09	24.00	30.65
10	27.00	33.65
11	30.00	36.65
12	33.00	39.65



Recommended P.C.B. Layout
 Total tolerance:±0.05mm

Order Information:

RE - C - XM1 - 3.00 - 1x02 - RC

Pitch:3.00mm

Pins:

1-Single layer

2-Double layer

XX-No. of 02 ~ 12 pins

Type:

R / RC-Right angle male pin

RHTECP NINGBO RHT ELECTRONIC CO.,LTD

UNITS:mm

SHEET SIZE:A4

SCALE:---

RE - C - XM1 - 3.00 - 1x02 - RC

>0~3

>3~18

>18~50

>50~120

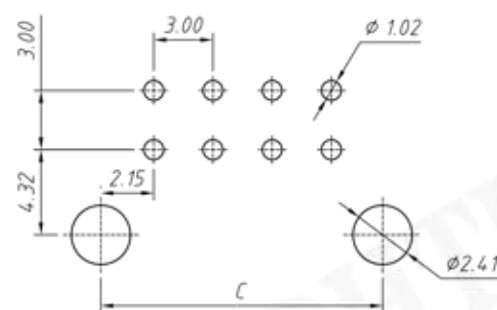
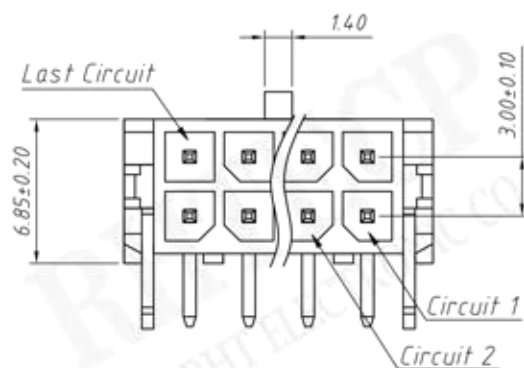
±0.12

±0.15

±0.3

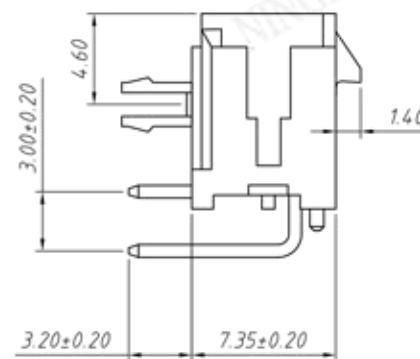
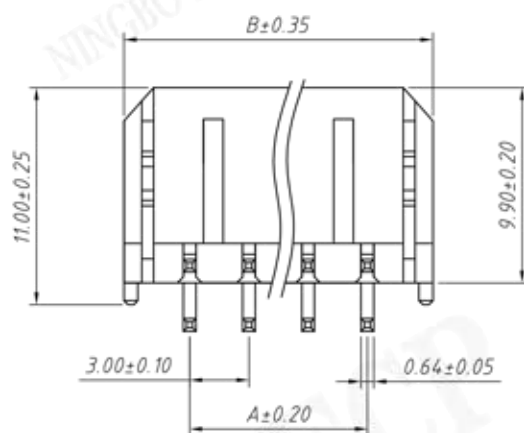
±0.5

CONNECTORS



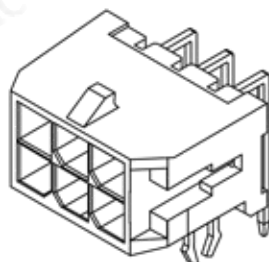
Recommended P.C.B. Layout
Total tolerance: ±0.05mm

Pin	Dimensions(mm)		
	A	B	C
01	---	6.65	4.30
02	3.00	9.65	7.30
03	6.00	12.65	10.30
04	9.00	15.65	13.30
05	12.00	18.65	16.30
06	15.00	21.65	19.30
07	18.00	24.65	22.30
08	21.00	27.65	25.30
09	24.00	30.65	28.30
10	27.00	33.65	31.30
11	30.00	36.65	34.30
12	33.00	39.65	37.30



Material:
Insulator: PA46, UL94V-0
Contact: Brass, Tin plated

Electrical Characteristics:
Rated Current: 5.0AMP
Voltage rating: 250V AC, DC
Temperature range: -25°C ~ 85°C
Insulator Resistance: 1000MΩ Min
Withstanding Voltage: 1500V AC/minute
Contact Resistance: 10mΩ Max



Order Information:

RE-C-XM1-3.00-2x02-RC

Pitch: 3.00mm

Pins: _____

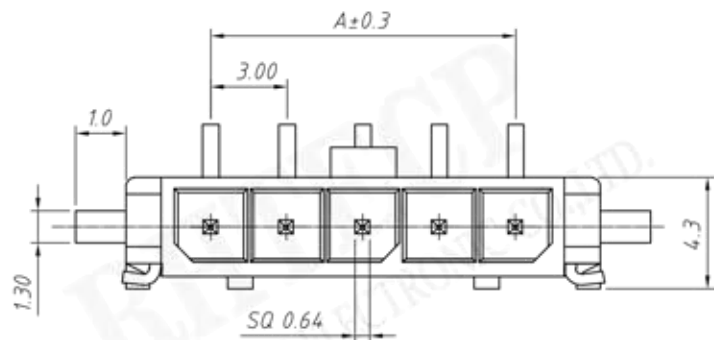
1-Single layer

2-Double layer

XX-No. of 01~12 pins

Type: _____

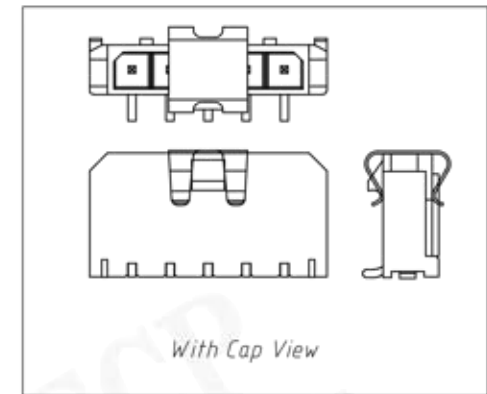
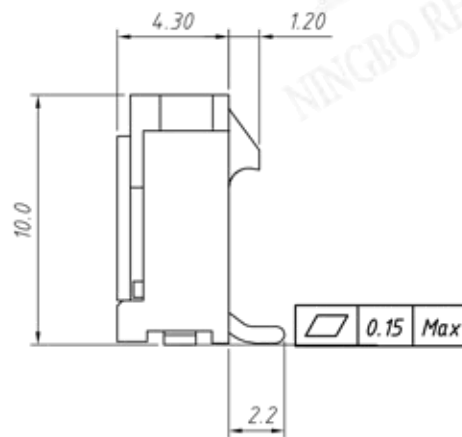
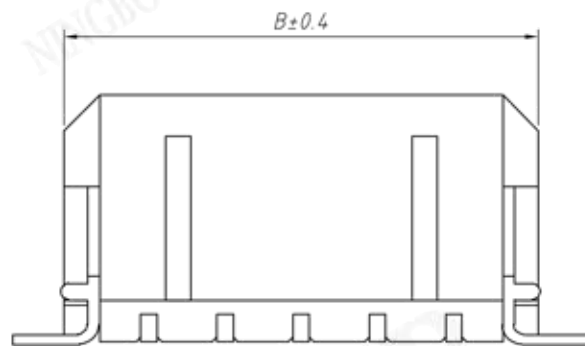
R / RC-Right angle male pin



Pin	Dimensions(mm)	
	A	B
02	3.00	9.70
03	6.00	12.70
04	9.00	15.70
05	12.00	18.70
06	15.00	21.70
07	18.00	24.70
08	21.00	27.70
09	24.00	30.70
10	27.00	33.70
11	30.00	36.70
12	33.00	39.70

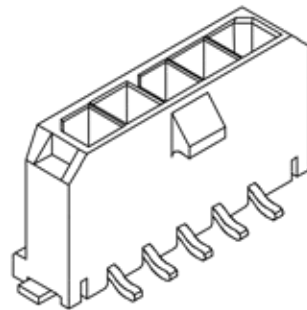
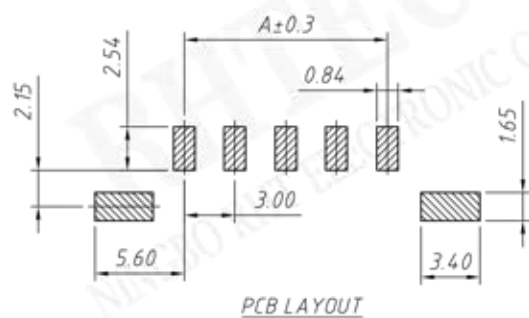
Material:
 Insulator:LCP, UL94V-0
 Contact:Brass
 Plating: Tin plated

Electrical Characteristics:
 Rated Current:5.0AMP
 Voltage rating:250V AC,DC
 Temperature range:-25°C ~ +85°C
 Insulator Resistance:1000MΩ Min
 Withstanding Voltage:1500V AC/minute
 Contact Resistance:10mΩ Max



Order Information:
 RE-C-XM1-3.00-1x02-VT

Pitch:3.00mm
 Pins: _____
 1-Single layer
 2-Double layer
 XX-No.of 02~12 pins
 Type: _____
 VT / VMT-Vertical SMT Pin
 RT / RMT-Horizontal SMT Pin



NINGBO RHT ELECTRONIC CO.,LTD

UNITS:mm

SHEET SIZE:A4

SCALE:---

>0~3

>3~18

>18~50

>50~120

±0.12

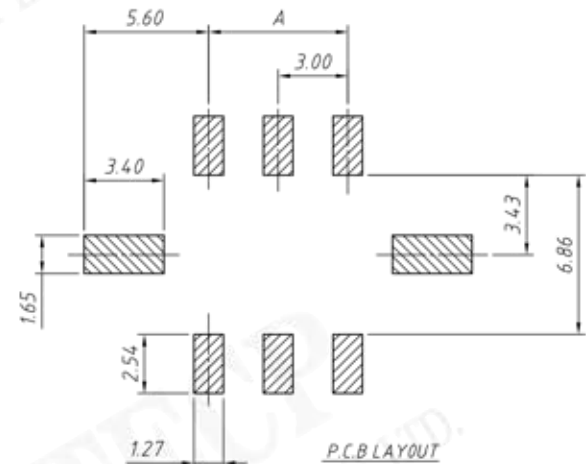
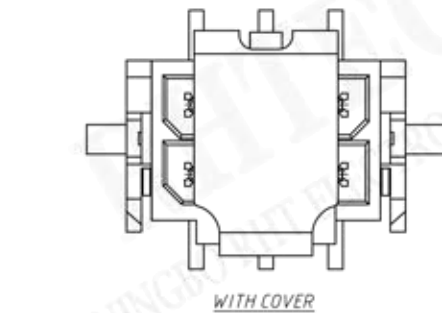
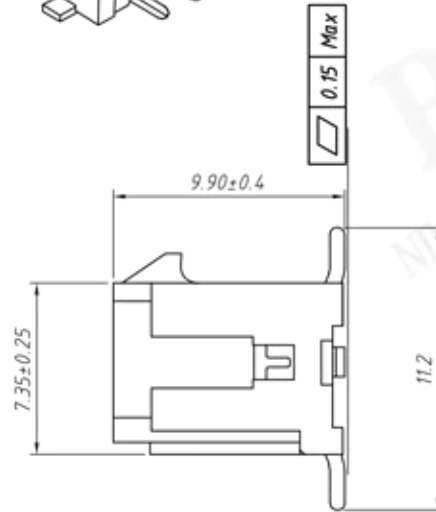
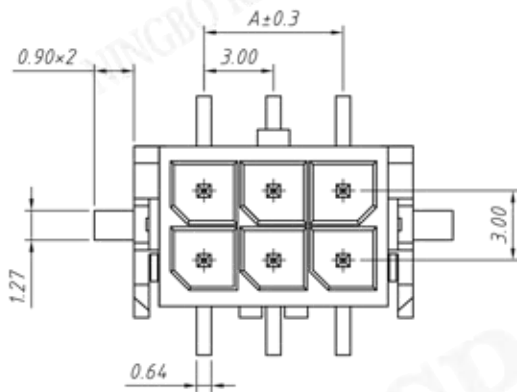
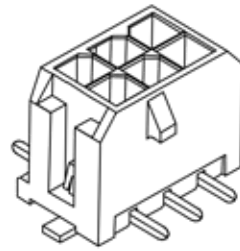
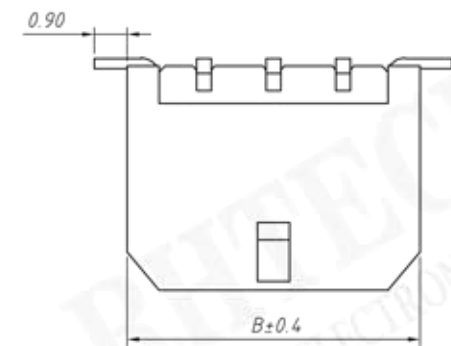
±0.15

±0.3

±0.5

RE-C-XM1-3.00-1x02-VT

CONNECTORS



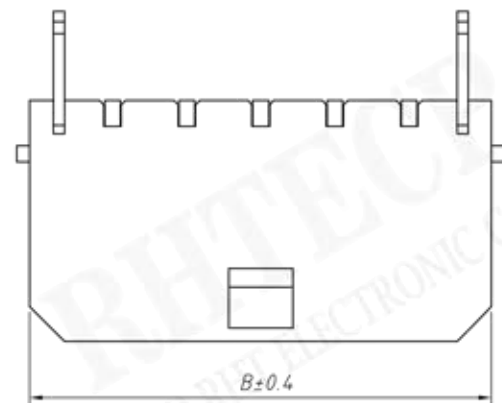
Pin	Dimensions(mm)	
	A	B
01	---	6.65
02	3.00	9.65
03	6.00	12.65
04	9.00	15.65
05	12.00	18.65
06	15.00	21.65
07	18.00	24.65
08	21.00	27.65
09	24.00	30.65
10	27.00	33.65
11	30.00	36.65
12	33.00	39.65

Material:
 Insulator:LCP, UL94V-0
 Contact:Brass
 Plating:Tin plated

Electrical Characteristics:
 Rated Current:5.0AMP
 Voltage rating:250V AC,DC
 Temperature range:-25°C ~ +85°C
 Insulator Resistance:1000MΩ Min
 Withstanding Voltage:1500V AC/minute
 Contact Resistance:10mΩ Max

Order Information:
 RE-C-XM1-3.00-2x02-VT

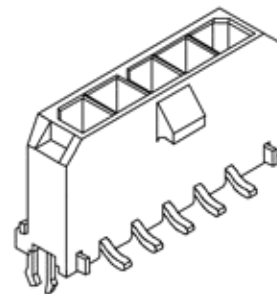
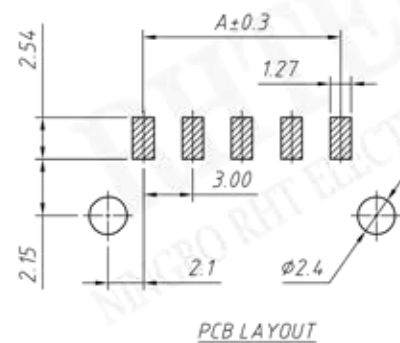
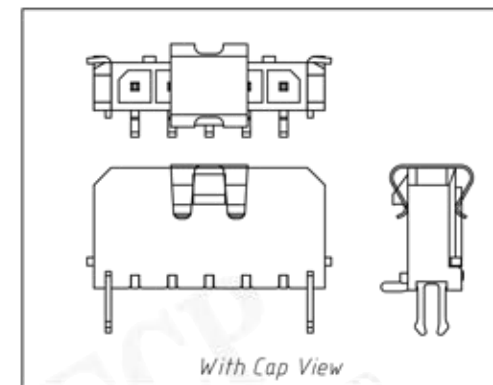
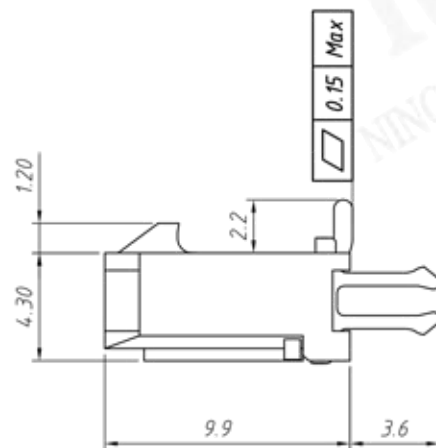
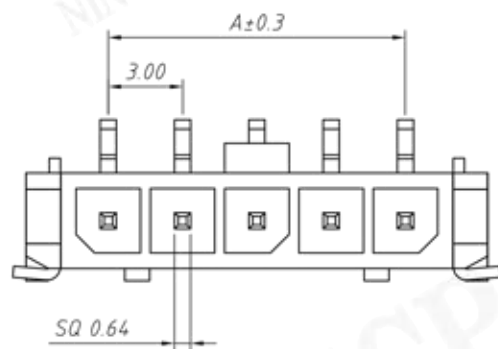
Pitch:3.00mm
 Pins: _____
 1-Single layer
 2-Double layer
 XX-No.of 01~12 pins _____
 Type: _____
 VT / VMT-Vertical SMT Pin
 RT / RMT-Horizontal SMT Pin



Material:
 Insulator:LCP, UL94V-0
 Contact:Brass
 Plating: Tin plated

Electrical Characteristics:
 Rated Current:5.0AMP
 Voltage rating:250V AC,DC
 Temperature range:-25°C ~ +85°C
 Insulator Resistance:1000MΩ Min
 Withstanding Voltage:1500V AC/minute
 Contact Resistance:10mΩ Max

Pin	Dimensions(mm)	
	A	B
02	3.00	9.70
03	6.00	12.70
04	9.00	15.70
05	12.00	18.70
06	15.00	21.70
07	18.00	24.70
08	21.00	27.70
09	24.00	30.70
10	27.00	33.70
11	30.00	36.70
12	33.00	39.70



Order Information:

RE-C-XM1-3.00-1x02-VMT

Pitch:3.00mm

Pins:

1-Single layer

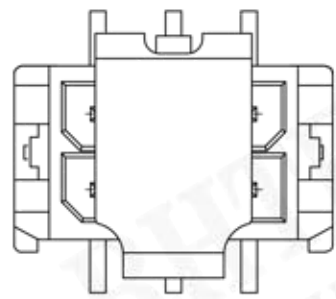
2-Double layer

XX-No. of 02~12 pins

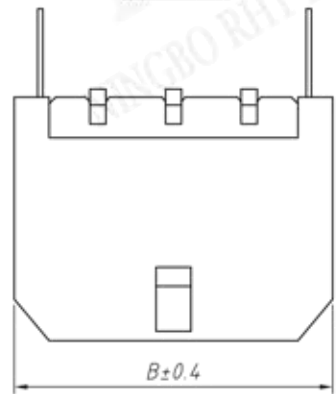
Type:

VT / VMT-Vertical SMT Pin

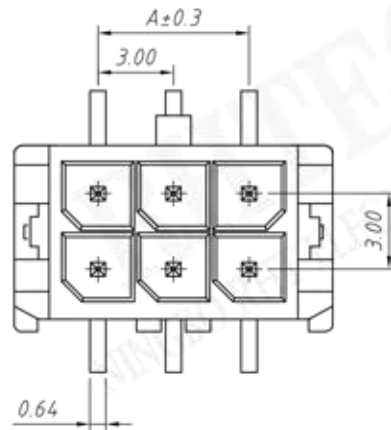
RT / RMT-Horizontal SMT Pin



WITH COVER



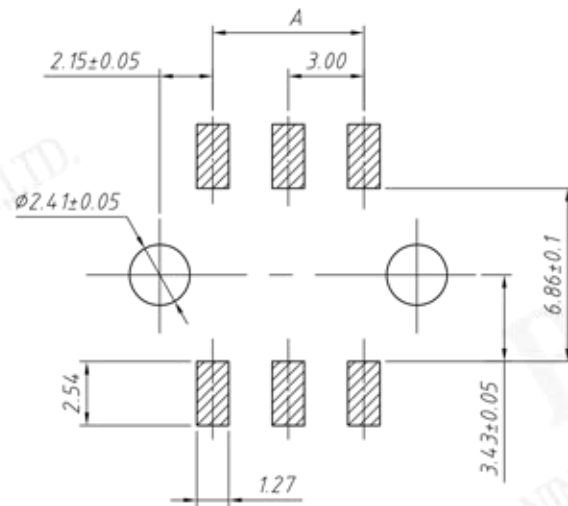
$B \pm 0.4$



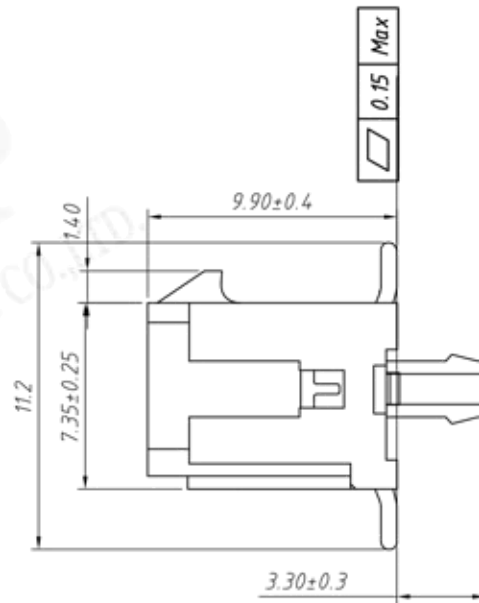
$A \pm 0.3$

3.00

0.64



P.C.B LAYOUT

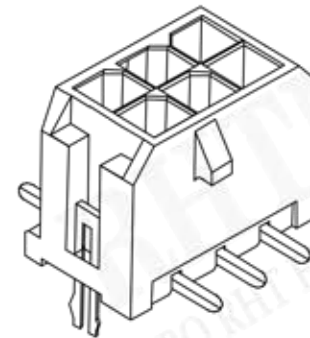


0.15 Max

Material:
 Insulator:LCP , UL94V-0
 Contact:Brass
 Plating: Tin plated

Electrical Characteristics:
 Rated Current:5.0AMP
 Voltage rating:250V AC,DC
 Temperature range:-25°C ~ +85°C
 Insulator Resistance:1000M Ω Min
 Withstanding Voltage:1500V AC/minute
 Contact Resistance:20m Ω Max

Pin	Dimensions(mm)	
	A	B
01	---	6.65
02	3.00	9.65
03	6.00	12.65
04	9.00	15.65
05	12.00	18.65
06	15.00	21.65
07	18.00	24.65
08	21.00	27.65
09	24.00	30.65
10	27.00	33.65
11	30.00	36.65
12	33.00	39.65



Order Information:

RE - C - XM1 - 3.00 - 2x02 - VMT

Pitch:3.00mm

Pins:

1-Single layer

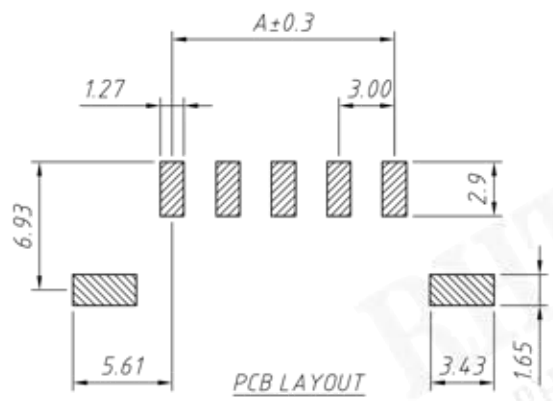
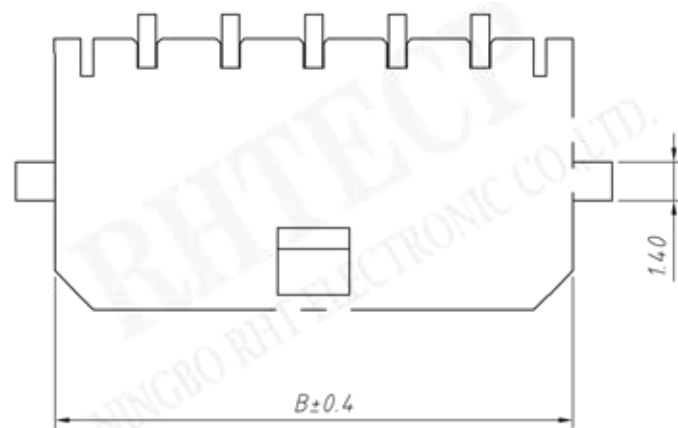
2-Double layer

XX-No.of 01 ~ 12 pins

Type:

VT / VMT-Vertical SMT Pin

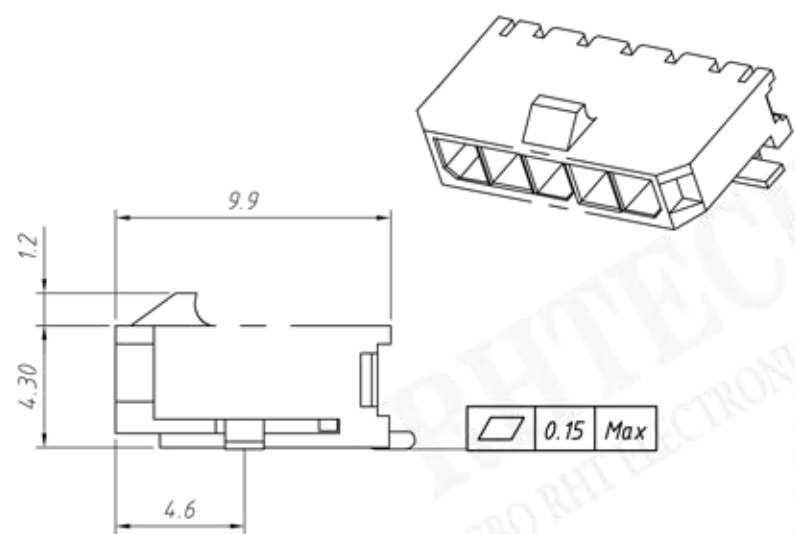
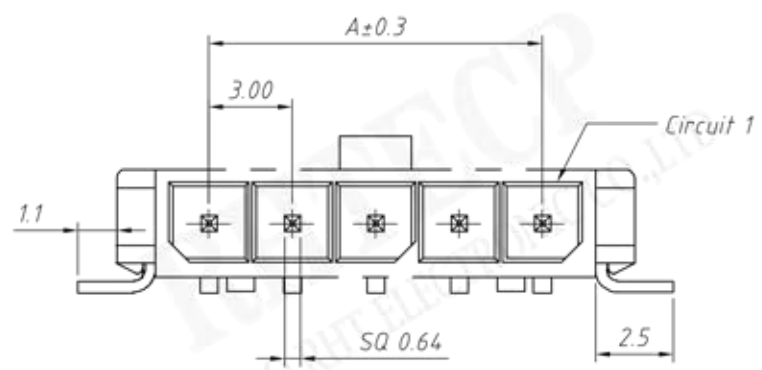
RT / RMT-Horizontal SMT Pin



Material:
 Insulator:LCP, UL94V-0
 Contact:Brass
 Plating: Tin plated

Electrical Characteristics:
 Rated Current:5.0AMP
 Voltage rating:250V AC,DC
 Temperature range:-25°C ~ +85°C
 Insulator Resistance:1000MΩ Min
 Withstanding Voltage:1500V AC/minute
 Contact Resistance:10mΩ Max

Pin	Dimensions(mm)	
	A	B
02	3.00	9.70
03	6.00	12.70
04	9.00	15.70
05	12.00	18.70
06	15.00	21.70
07	18.00	24.70
08	21.00	27.70
09	24.00	30.70
10	27.00	33.70
11	30.00	36.70
12	33.00	39.70



Order Information:
 RE-C-XM1-3.00-1x02-RT

Pitch:3.00mm
 Pins: _____
 1-Single layer
 2-Double layer
 XX-No.of 02~12 pins
 Type: _____
 VT / VMT-Vertical SMT Pin
 RT / RMT-Horizontal SMT Pin

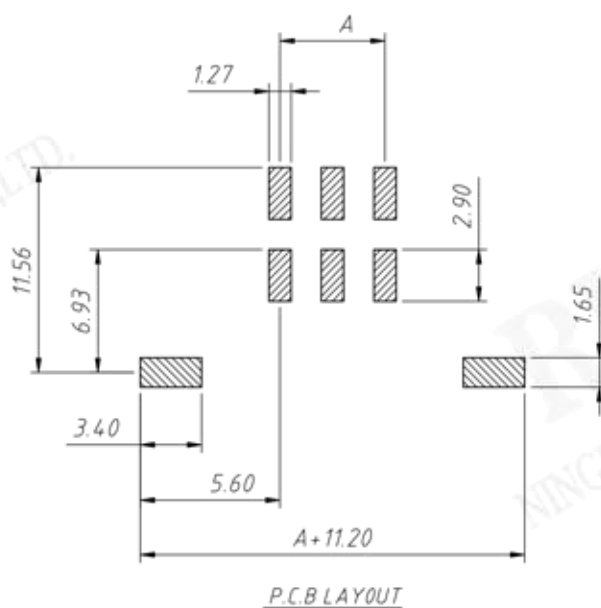
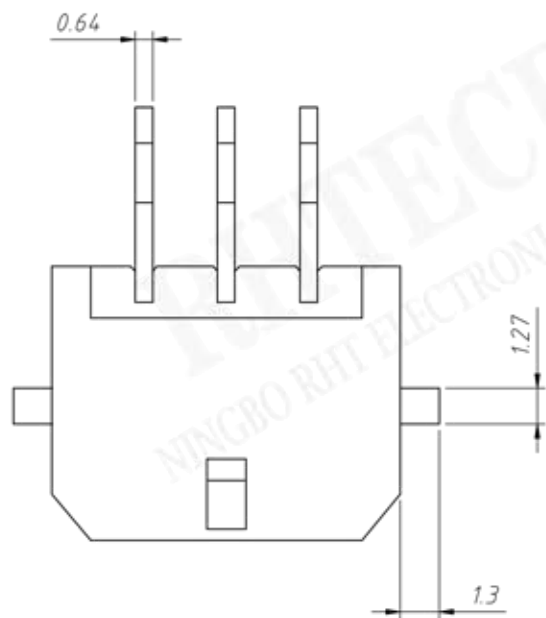


NINGBO RHT ELECTRONIC CO.,LTD

UNITS:mm	SHEET SIZE:A4		SCALE:---
>0~3	>3~18	>18~50	>50~120
±0.12	±0.15	±0.3	±0.5

RE-C-XM1-3.00-1x02-RT

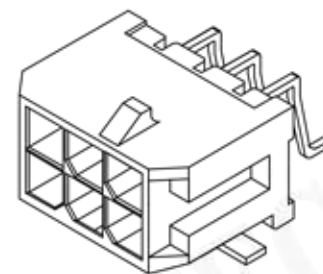
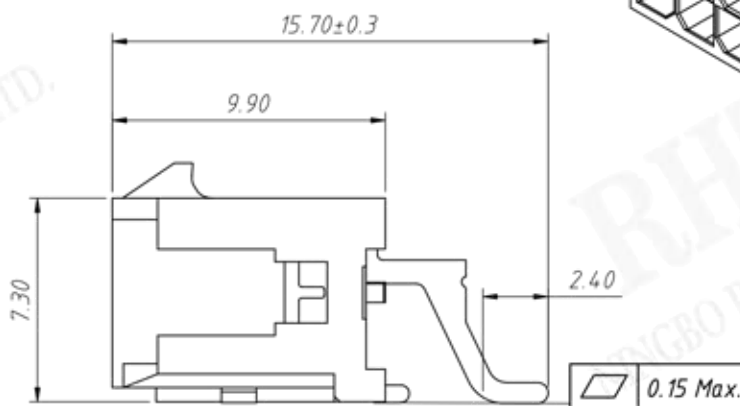
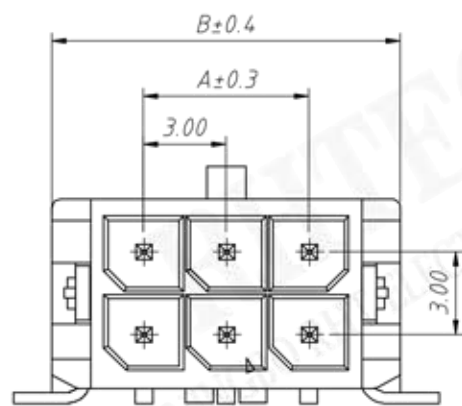
CONNECTORS



Material:
 Insulator:LCP , UL94V-0
 Contact:Brass
 Plating:Tin plated

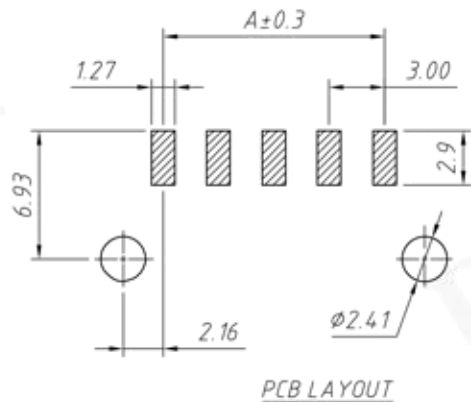
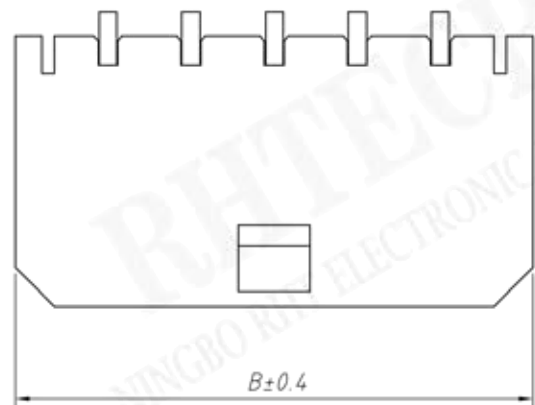
Electrical Characteristics:
 Rated Current:5.0AMP
 Voltage rating:250V AC,DC
 Temperature range:-25°C ~ +85°C
 Insulator Resistance:1000M Ω Min
 Withstanding Voltage:1500V AC/minute
 Contact Resistance:10m Ω Max

Pin	Dimensions(mm)	
	A	B
01	---	6.65
02	3.00	9.65
03	6.00	12.65
04	9.00	15.65
05	12.00	18.65
06	15.00	21.65
07	18.00	24.65
08	21.00	27.65
09	24.00	30.65
10	27.00	33.65
11	30.00	36.65
12	33.00	39.65



Order Information:
 RE-C-XM1-3.00-2x02-RT

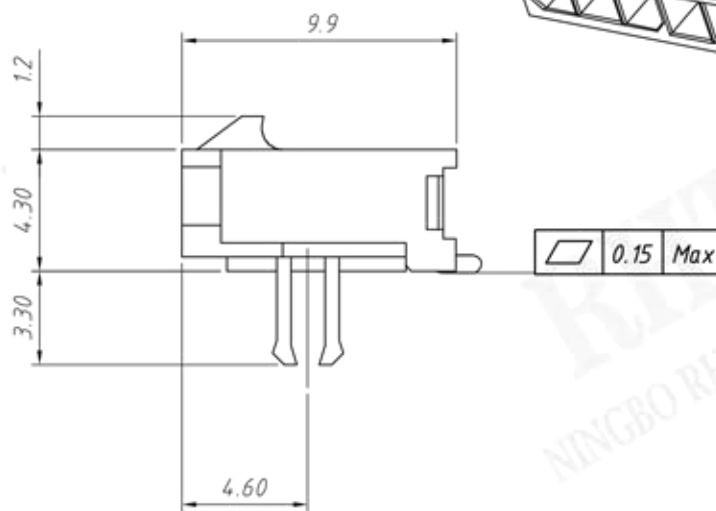
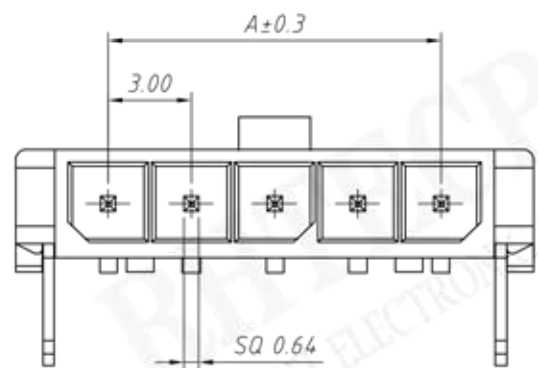
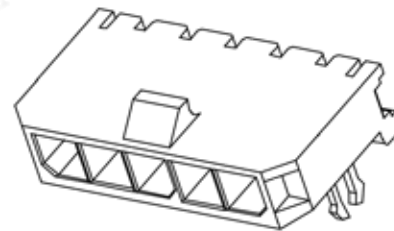
Pitch:3.00mm
 Pins: _____
 1-Single layer
 2-Double layer
 XX-No.of 01~12 pins _____
 Type: _____
 VT / VMT-Vertical SMT Pin
 RT / RMT-Horizontal SMT Pin



Material:
 Insulator:LCP, UL94V-0
 Contact:Brass
 Plating: Tin plated

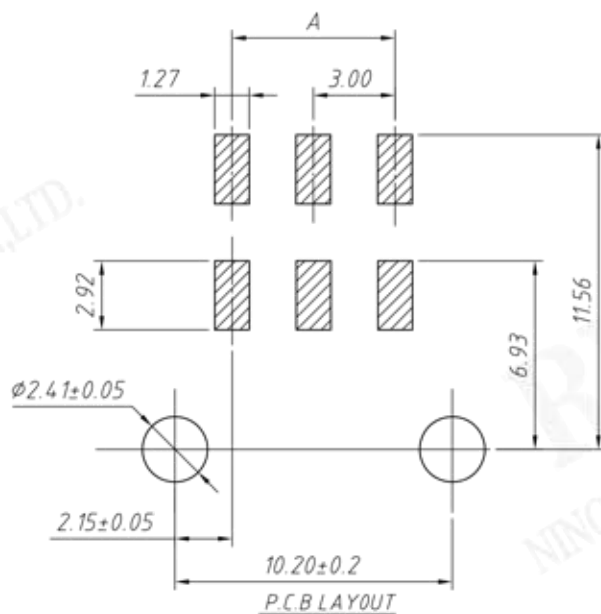
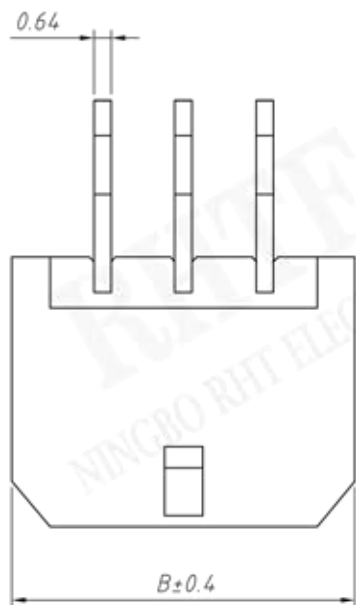
Electrical Characteristics:
 Rated Current:5.0AMP
 Voltage rating:250V AC,DC
 Temperature range:-25°C ~ +85°C
 Insulator Resistance:1000MΩ Min
 Withstanding Voltage:1500V AC/minute
 Contact Resistance:10mΩ Max

Pin	Dimensions(mm)	
	A	B
02	3.00	9.70
03	6.00	12.70
04	9.00	15.70
05	12.00	18.70
06	15.00	21.70
07	18.00	24.70
08	21.00	27.70
09	24.00	30.70
10	27.00	33.70
11	30.00	36.70
12	33.00	39.70



Order Information:
 RE-C-XM1-3.00-1x02-RMT

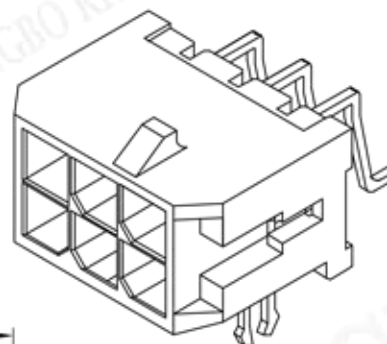
Pitch:3.00mm
 Pins: _____
 1-Single layer
 2-Double layer
 XX-No.of 02~12 pins
 Type: _____
 VT / VMT-Vertical SMT Pin
 RT / RMT-Horizontal SMT Pin



Material:
 Insulator:LCP , UL94V-0
 Contact:Brass,Tin plated

Electrical Characteristics:
 Rated Current:5.0AMP
 Voltage rating:250V AC,DC
 Temperature range:-25°C ~ +85°C
 Insulator Resistance:1000MΩ Min
 Withstanding Voltage:1500V AC/minute
 Contact Resistance:10mΩ Max

Pin	Dimensions(mm)	
	A	B
01	---	6.65
02	3.00	9.65
03	6.00	12.65
04	9.00	15.65
05	12.00	18.65
06	15.00	21.65
07	18.00	24.65
08	21.00	27.65
09	24.00	30.65
10	27.00	33.65
11	30.00	36.65
12	33.00	39.65



Order Information:

RE-C-XM1-3.00-2x02-RMT

Pitch:3.00mm

Pins: _____

1-Single layer

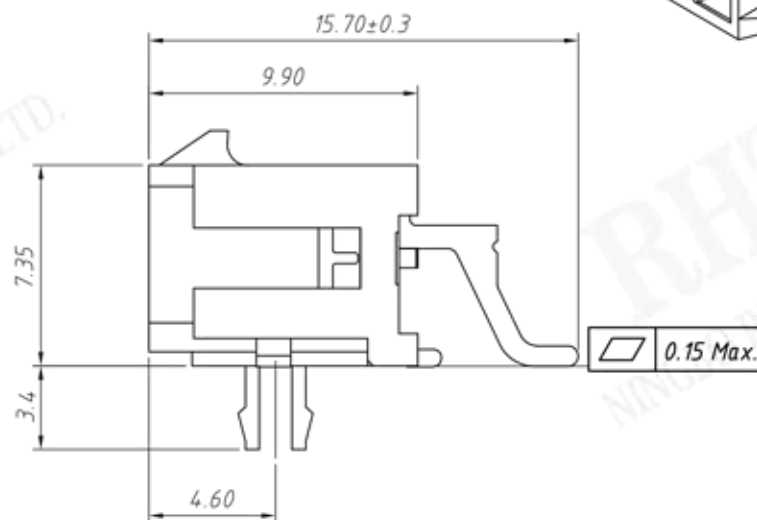
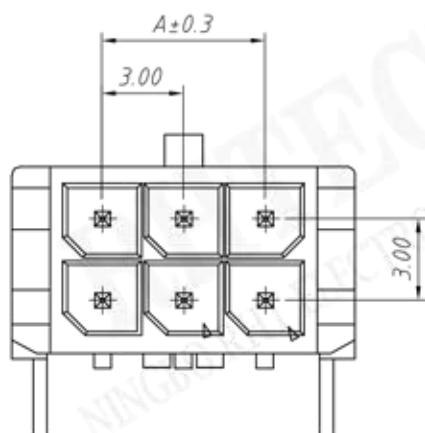
2-Double layer

XX-No. of 01~12 pins _____

Type: _____

VT / VMT-Vertical SMT Pin

RT / RMT-Horizontal SMT Pin



RHTECP NINGBO RHT ELECTRONIC CO.,LTD

UNITS:mm

SHEET SIZE:A4

SCALE:---

RE-C-XM1-3.00-2x02-RMT

>0~3

>3~18

>18~50

>50~120

±0.12

±0.15

±0.3

±0.5

CONNECTORS