



NING BO RHT ELECTRONIC CO.,LTD

APPROVAL SHEET



(Seam Type)

CUSTOMER: _____

DESCRIPTION: SMD3225 25.000MHz Quartz Crystal Resonator

MANUFACTURER PART NO.: 25.000M18SM3S-20/30DFC47

CUSTOMER PART NO: _____

USED IN MODEL: _____

REVISION A1

APPROVAL		
TECHNOLOGY DEPT.	QUALITY DEPT.	PURCHASING DEPT.

<u>Rev</u>	<u>Revise page</u>	<u>Revise contents</u>	<u>Date</u>	<u>Ref.No.</u>	<u>Reviser</u>
A1	ALL	Initial released	2022.11.11	N/A	DavidJiang

NINGBO RHT ELECTRONIC CO.,LTD		
DESCRIPTION	SMD3225 25.000MHz ±20ppm 18pF	Page:
DATE	2022-11-11	2 / 12

1. QUARTZ CRYSTAL UNIT SPECIFICATION

Parameter	Sign	Specification
1.1 Nominal Frequency :	F0	25.000MHz
1.2 Holder type :	-	(SMD3225 SEAM TYPE)
1.3 Mode of oscillation :	-	Fundamental
1.4 Frequency tolerance :	FL	±20ppm at 25°C±3°C
1.5 Equivalent resistance :	RR	40ohms max.
1.6 Operating temperature range :	T _{OPR}	-40°C To +85°C
1.7 Storage temperature range :	T _{STG}	-55°C To +125°C
1.8 Frequency Stability :	TC	±30ppm at -40°C To +85°C
1.9 Loading capacitance :	CL	18pF
1.10 Drive level :	DL	10 uW Typical. 200uW Max
1.11 Shunt Capacitance :	C0	2.0pF max.
1.12 Insulation resistance :	IR	More than 500MΩ at DC 100V
1.13 Circuit:	-	Measured in HP/E5100A,S&A 250B
1.14 Aging :	Fa	±3ppm max. (+25°C 1 st Year)
1.15 Dimensions and marking :		Refer to page.3
1.16 Emboss carrier tape & reel :		Refer to page.5 and page.6
1.17 Note :		

Standard atmospheric conditions

Unless otherwise specified, the standard range of atmospheric conditions for making measurement and tests are as follow:

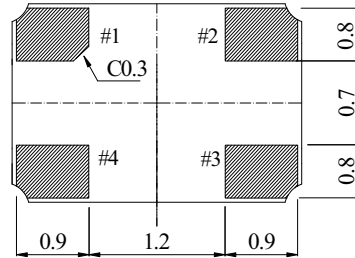
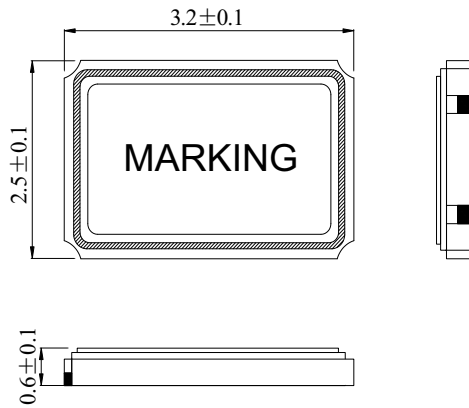
Ambient temperature : 25±3°C

Relative humidity : 40%~70%

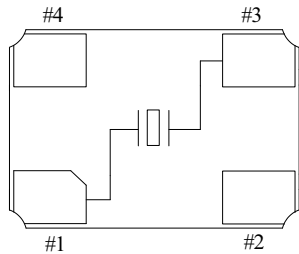
NINGBO RHT ELECTRONIC CO.,LTD		
DESCRIPTION	SMD3225 25.000MHz ±20ppm 18pF	Page:
DATE	2022-11-11	3 / 12

2. MARKING & DIMENSIONS

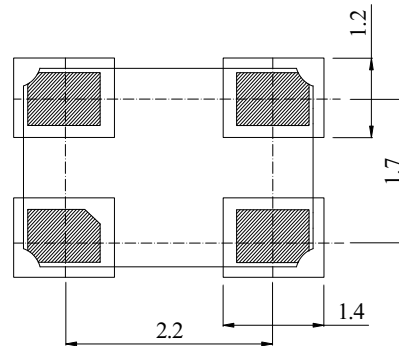
(UNIT: mm)



Marking #2, #4 is connected with metal cap of top.



<TOP VIEW>



Recommended Solder Pad Layout:

*Marking should be printed as following:

Logo, Nominal Frequency

*Manufacturing Logo: RHT

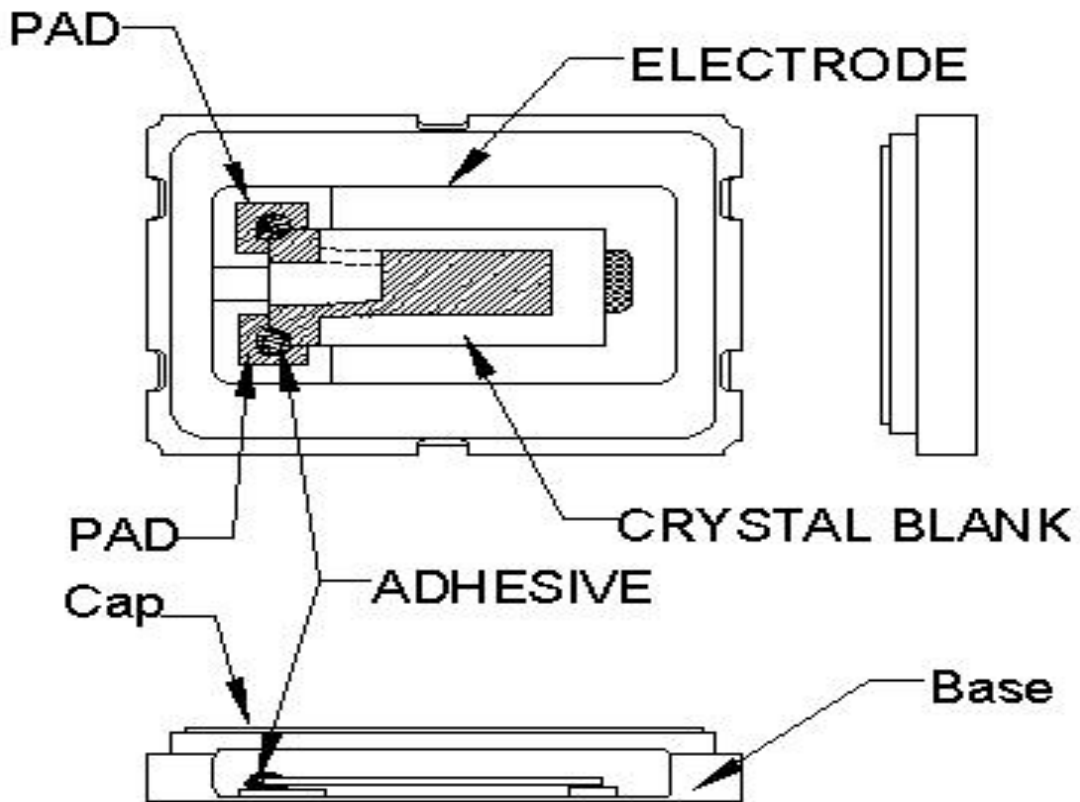
*Nominal frequency = 3 number after decimal point MAX.

(ex. 25.000 MHz → 25.000)

Marking: Laser marking

NINGBO RHT ELECTRONIC CO.,LTD		
DESCRIPTION	SMD3225 25.000MHz ±20ppm 18pF	Page:
DATE	2022-11-11	4 / 12

3. INSIDE STRUCTURE



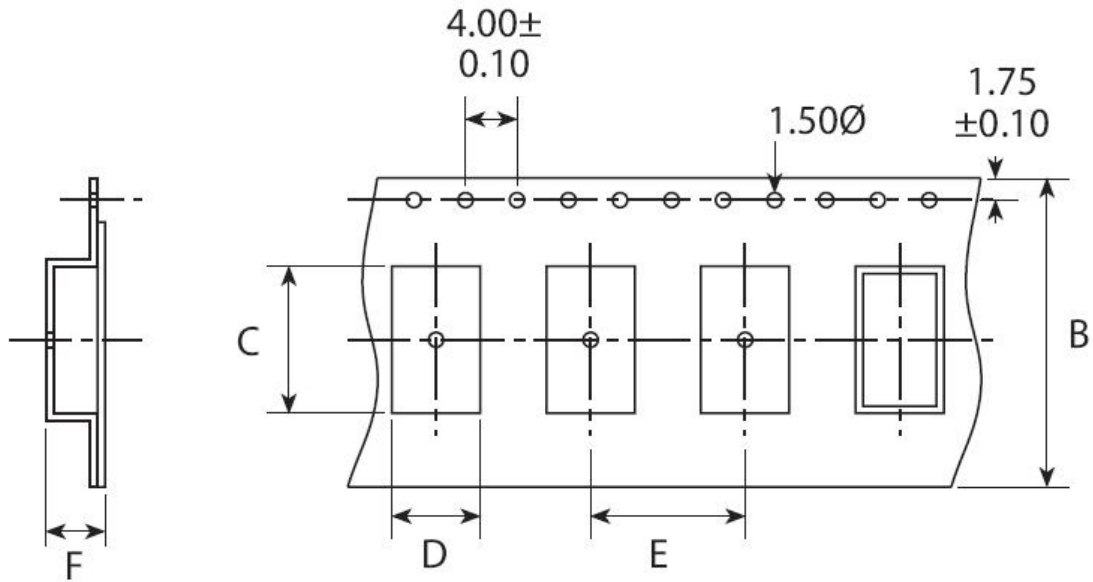
Reference drawing

Base:	Alumina Ceramic (Al_2O_3) Metallized Pad: W Ni Plating Au Plating
Cap:	Fe-Ni
(3) Crystal Enclosure Seal:	Seal Seam
(4) Crystal Blank	Rectangular At-Cut Quartz Crystal Blank
(5) Adhesive	Silver Conductive Polyimide Resin
(6) Electrode	Ag
(7) PAD	Alumina Ceramic (W. Ni. Au)

NINGBO RHT ELECTRONIC CO.,LTD		
DESCRIPTION	SMD3225 25.000MHz ± 20 ppm 18pF	Page:
DATE	2022-11-11	5 / 12

4. EMBOSS CARRIER TAPE & REEL

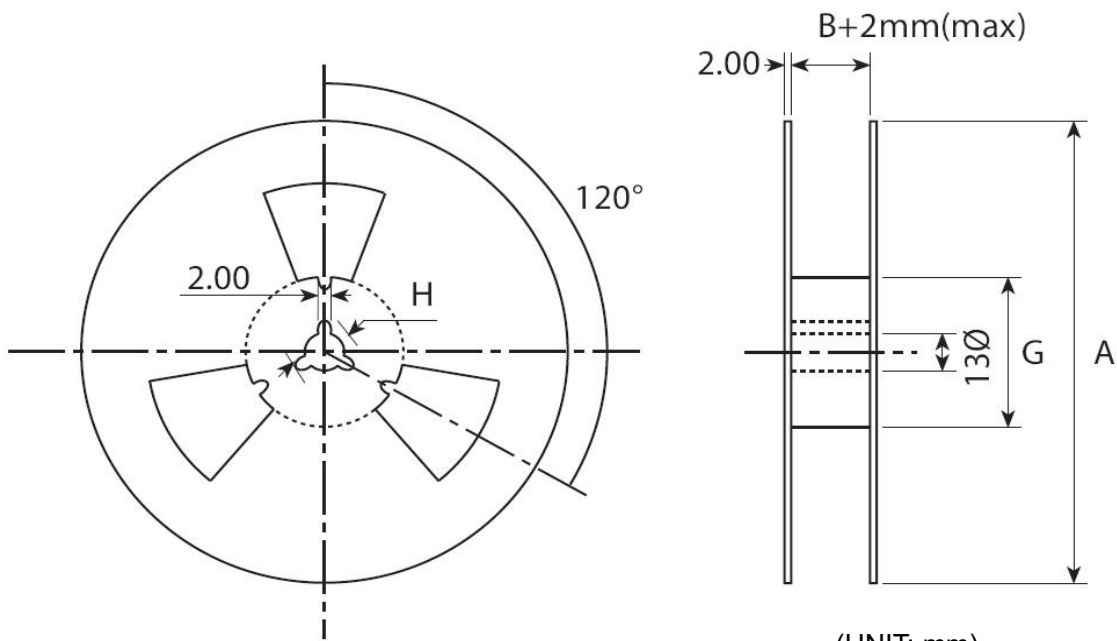
a.) Dimensions of Carrier Tape



	A	B	C	D	E	F	G
SMD3225	178±2.0	8.0±0.3	3.5±0.1	2.8±0.1	4.0±0.1	1.4±0.1	60.5±1.0

(UNIT: mm)

b.) Dimensions of Reel



(UNIT: mm)

NINGBO RHT ELECTRONIC CO.,LTD

DESCRIPTION	SMD3225 25.000MHz ±20ppm 18pF	Page:
DATE	2022-11-11	6 / 12

c.) Storage condition

Temperature: +40deg.C Max.

Relative Humidity: 80% Max.

d.) Standard packing quantity

3,000PCS / REEL

e.) Material of the tape

Tape	Material
Carrier tape	A – PET
Top tape	Polyester

NINGBO RHT ELECTRONIC CO.,LTD

DESCRIPTION

SMD3225 25.000MHz \pm 20ppm 18pF

Page:

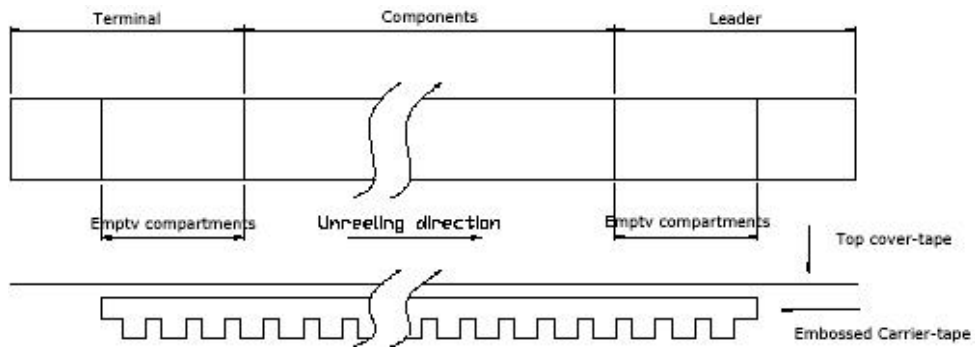
DATE

2022-11-11

7 / 12

g.) Taping dimension

Leader	Cover-tape	The length of cover-tape in the leader is more than 400 mm including empty embossed area.
	Carrier-tape	After all products were packaged, must remain more than twenty pieces or 400 mm empty area, which should be sealed by cover-tape.
Terminal	Cover-tape	The tip of cover-tape shall be fixed temporary by paper tape and roll around the core of reel one round.
	Carrier-tape	The empty embossed area which are sealed by top cover-tape must remain more the 40 mm.



h.) Joint of tape

The carrier-tape and top cover-tape should not be jointed.

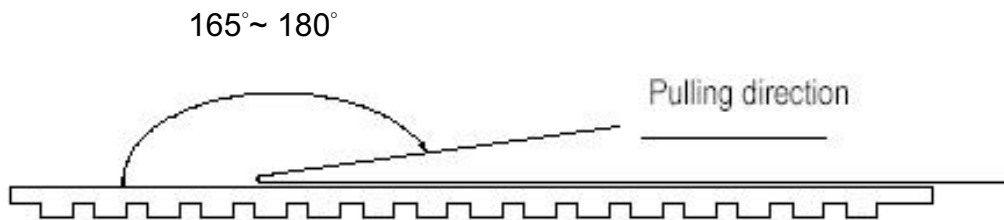
i.) Release strength of cover tape

It has to between 0.1N to 0.7N under following condition.

Pulling direction 165° to 180°

Speed 300mm/min.

Otherwise unless specified.



Other standards shall be based on JIS C 0806-1990.

NINGBO RHT ELECTRONIC CO.,LTD		
DESCRIPTION	SMD3225 25.000MHz ±20ppm 18pF	Page:
DATE	2022-11-11	8 / 12

5. Mechanical Endurance: Provided that measurement shall be carried out after letting it alone in the room temperature for 1 hour.

	Item	Conditions	Specifications
5.1	Drop	Fall freely from 100 cm of height 3 times on a firm wood	MIL-STD-202F-203B
5.2	Mechanical Shock	Device are shocked to half sine wave (1000 G) three mutually perpendicular axes each 3 times.	MIL-STD-202F
5.3	Vibration	(1)Vibration Frequency: 10~55Hz (2)Cycle: 1 to 2 Min. (3)Full Cycle: 1.5mm P-P. (4)Direction: X.Y.Z (5)Time: 2 Hours / Each Direction	MIL-STD-883E
5.4	Substrate Bending	Mount the specimen on substrate. Apply the following pressure Direction: see Fig -1 Speed: 0.5 mm/sec Hours: 5 ± 1 sec Amount of substrate: 3 mm Max.	Without mechanical damage such as breaks. Without electrode peeling. Electrical characteristics shall be satisfied.
5.5	Adhesion	Mount the specimen on substrate. Apply the following pressure Direction: see Fig -2 Weight: 10N Hours: 10 ± 1 sec	
5.6	Body strength	Mount the specimen on substrate. Apply the following pressure Direction: see Fig -3 Weight: 10N Hours: 10 ± 1 sec	
5.7	Seal	Fine Leak: 4.5kgf/cm ² 2hours 1×10 ⁻⁹ Pa.m ³ /sec Gross Leak: 4.5kgf/cm ² 2hours 1.5×10 ⁻⁵ Pa.m ³ /sec	

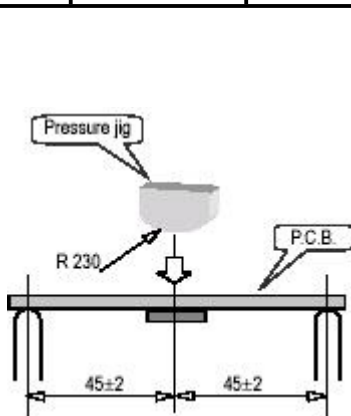


Fig-1

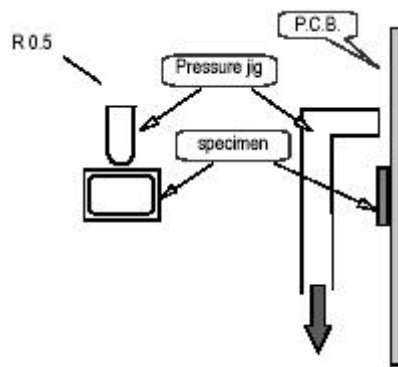


Fig-2

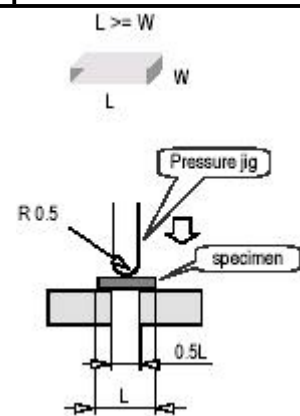
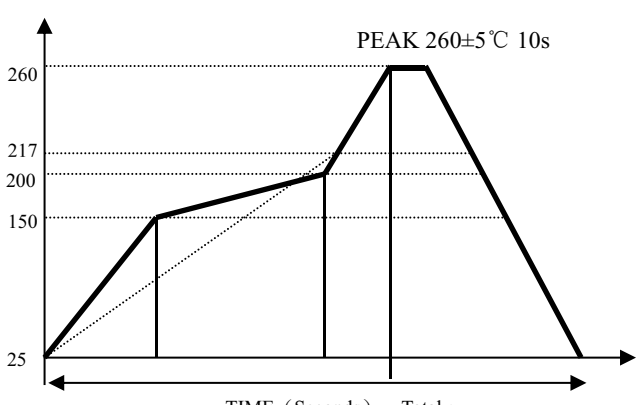


Fig-3

NINGBO RHT ELECTRONIC CO.,LTD

DESCRIPTION	SMD3225 25.000MHz ±20ppm 18pF	Page:
DATE	2022-11-11	9 / 12

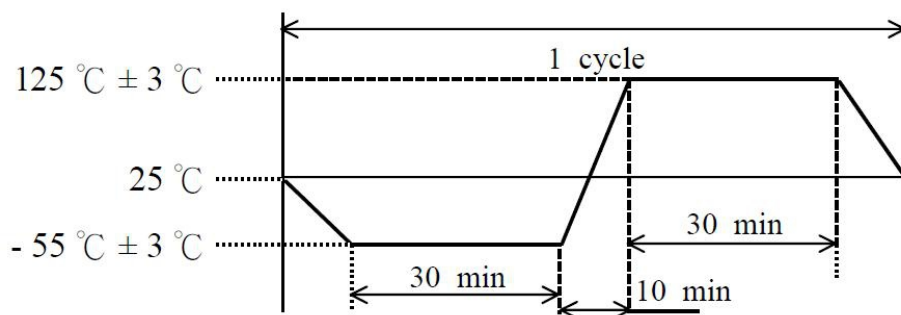
5.8	Solder ability	Pre-heat temperature : +150±10°C Pre-heat time : 60~120s When the temperature of the specimen is reached at +215±3°C, it shall be left for 30±1sec. Peak temperature 240±5°C Material: Pb-free (Sn-3.0Ag-0.5Cu) Flux : Rosin resin methyl alcohol solvent (1:4) The electrodes should be covered by a new solder at least 90% of immersed area.	MIL-STD-883E 2003
-----	----------------	---	-------------------

5.9	Resistance to Soldering Heat	<p>Run in Reflow Reflow soldering shall be allowed Only two(2) time.</p> <p style="text-align: center;">Available for Lead Free Soldering</p>  <p style="text-align: center;">TIME (Seconds) Total :</p> <table border="1" data-bbox="446 1299 1037 1456"> <tr> <td>(1)</td> <td>Preheat</td> <td>160~180 deg.C</td> <td>120sec.</td> </tr> <tr> <td>(2)</td> <td>Primary heat</td> <td>220 deg.C</td> <td>60sec.</td> </tr> <tr> <td>(3)</td> <td>Peak</td> <td>260 deg.C</td> <td>10sec. Max.</td> </tr> </table>	(1)	Preheat	160~180 deg.C	120sec.	(2)	Primary heat	220 deg.C	60sec.	(3)	Peak	260 deg.C	10sec. Max.	MIL-STD-202F
(1)	Preheat	160~180 deg.C	120sec.												
(2)	Primary heat	220 deg.C	60sec.												
(3)	Peak	260 deg.C	10sec. Max.												

NINGBO RHT ELECTRONIC CO.,LTD		
DESCRIPTION	SMD3225 25.000MHz ±20ppm 18pF	Page:
DATE	2022-11-11	10 / 12

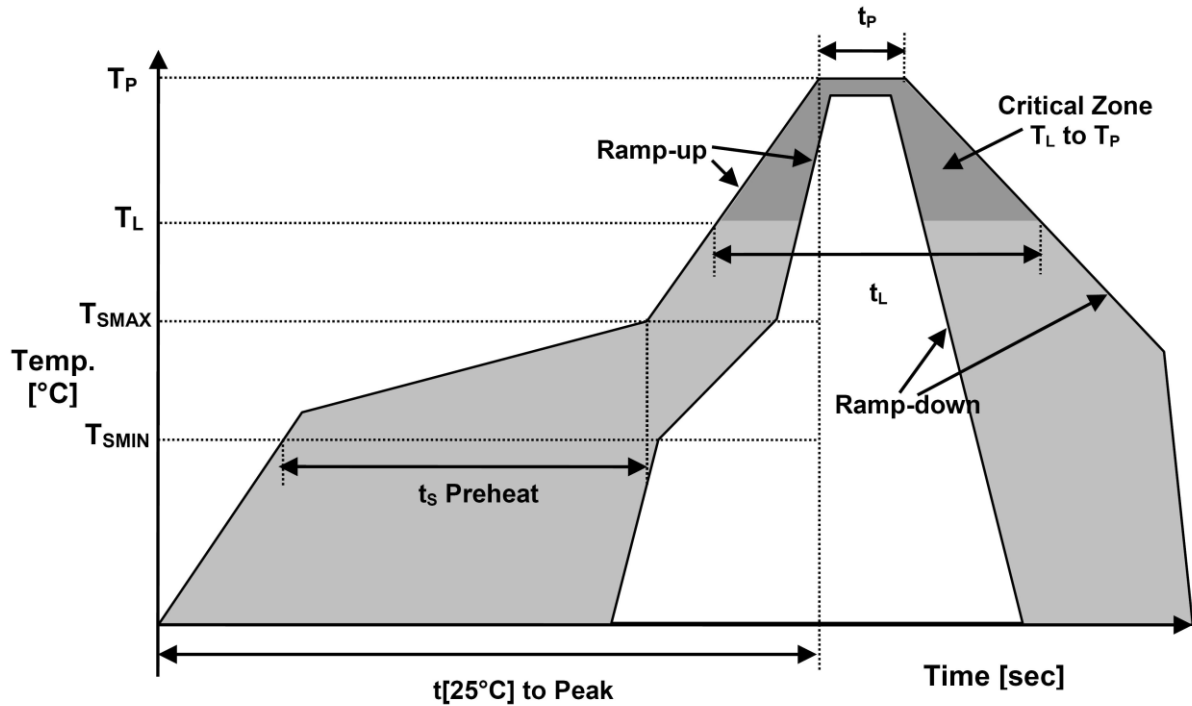
6. Environmental Endurance: Provided that measurement shall be carried out after letting it alone in the room temperature for 1 hour.

	Item	Conditions	Specifications
6.1	Humidity	+60°C±2°C, RH 80~85%, Duration of 500 hours. The units are then allowed to stand for approx 2 hours in room temperature before checking	MIL-STD-202F
6.2	Storage in Low Temperature	Temperature: -40±2°C , Duration of 500 hours. The units are then allowed to stand at room temperature for approx 2 hours before checking.	MIL-STD-883E
6.3	Storage in High Temperature	Temperature: +85°C±2°C, Duration of 500 hours. The units are then allowed to stand at room temperature for approx 2 hours before checking.	MIL-STD-883E
6.4	Thermal Shock	Temperature 1: -55°C±5°C Temperature 2: 125°C±5°C Temperature change between T1 and T2 at soonest Run 100 cycles, maintain T1 and T2 30minutes each in one cycle (Refer to Fig-4)	MIL-STD-883E



NINGBO RHT ELECTRONIC CO.,LTD		
DESCRIPTION	SMD3225 25.000MHz ±20ppm 18pF	Page:
DATE	2022-11-11	11 / 12

7. Recommended Solder Reflow Profile



Temperature Min Preheat	T_{SMIN}	150°C
Temperature Max Preheat	T_{SMAX}	175°C
Time (T_{SMIN} to T_{SMAX})	t_s	60-180 sec.
Temperature	T_L	217°C
Peak Temperature	T_P	260°C
Ramp-up rate	R_{UP}	3°C/sec max.
Ramp-down rate	R_{DOWN}	6°C/sec max.
Time within 5°C of Peak Temperature	t_P	10 sec max.
Time $t[25^\circ\text{C}]$ to Peak Temperature	$t[25^\circ\text{C}]$ to Peak	480 sec max.
Time	t_L	60-150 sec.

NINGBO RHT ELECTRONIC CO.,LTD

DESCRIPTION	SMD3225 25.000MHz $\pm 20\text{ppm}$ 18pF	Page:
DATE	2022-11-11	12 / 12