

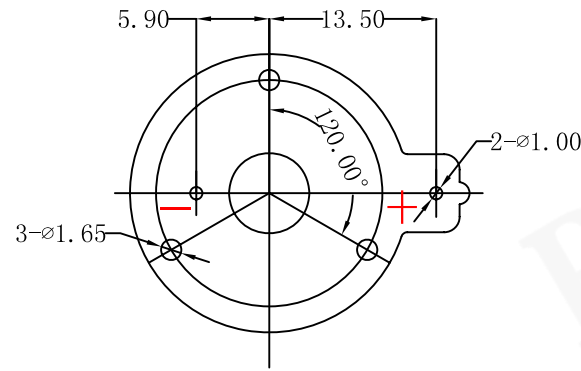
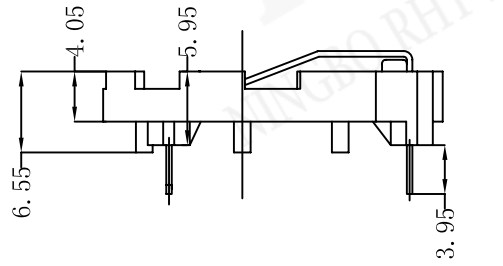
NOTE:

1. MATERIAL:

- a. HOUSING: THERMOPLASTIC GLASS FIBRE UL94V-0
  - b. CONTACT: MN Steel  
(SURFACE PLATING: Ni100u")
- SEE ORDERING INFORMATION

2. ELECTRIC:

- a. CONTACT RESISTANCE: 30 MILLIOHMS MAX
- b. INSULATION RESISTANCE: 1000 MEGA OHMS MIN
- c. DIELECTRIC VOLTAGE: 500V AC ONE SEC LEVEL
- d. OPERATING TEMPERATURE: -25° C ~ +85° C



PCB Layout Diagram  
Top View

