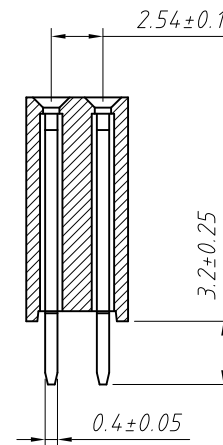
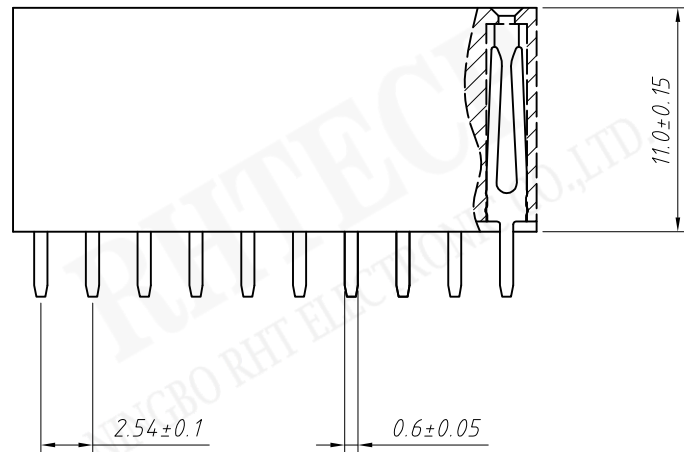


Recommended PCB Hole Layout

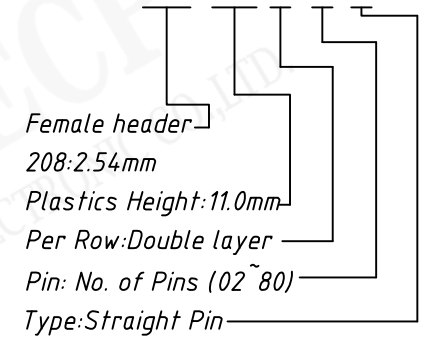
Material:
 Standard: PBT
 Contact: Brass
 Contact plating: Au or Sn Over Ni
 Nickel Insulator: Polyester, UL 94 V-0

Electrical Characteristics:
 Rated Current: 3.0AMP
 Contact Resistance: $20m\Omega$ Max
 Withstand Voltage: 1000V AC/DC
 Insulator Resistance: $1000M\Omega$ Min

Mechanical
 Operating Temperature: $-40^{\circ}\text{C} \sim +105^{\circ}\text{C}$
 Max. Processing Temp: 180°C for 30-60 seconds (200°C for 10 seconds)



Order Information:
 RE-C-208-11.0-2-XX-S



UNITS:mm	SHEET SIZE:A4		SCALE:---
>0~3	>3~18	>18~50	>50~120
± 0.12	± 0.15	± 0.3	± 0.5