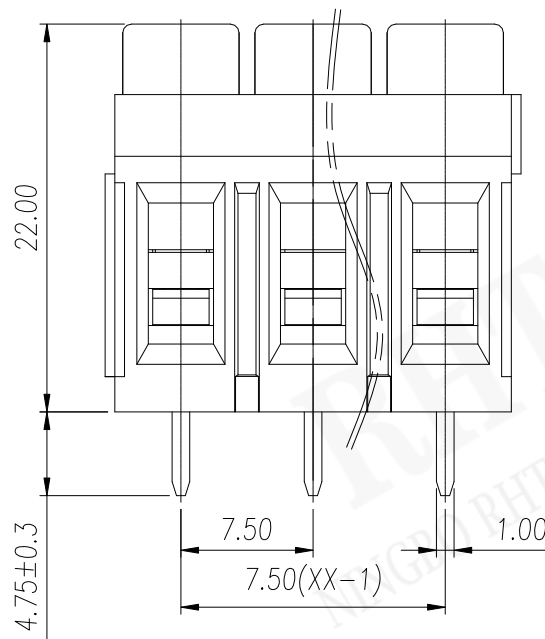
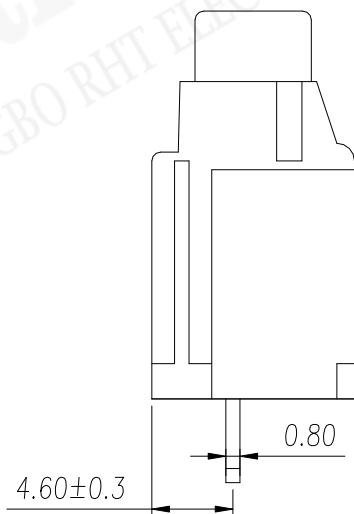
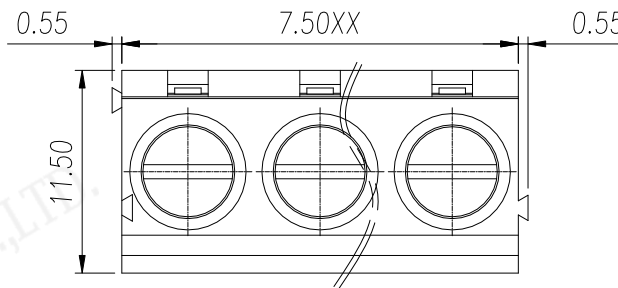


P.C.B. LAYOUT



linear dimension(Tolerances Standard GB/T 14486-2008)							—			
variable	over 6	over 10	over 30	over 60	over 100	over 160		over 10	over 100	
range	to 6	to 10	to 30	to 60	to 100	to 160	to 10	to 100	to	
tolerance	±0.20	±0.30	±0.50	±0.70	±1.00	±1.30	±1.60	0.10	0.30	0.60

UL/CUL 技术参数	c RHT us		
UL/CUL Technical Data	B	C	D
等级 Use Group	B	C	D
额定电压 Rated Voltage [V]	300	-	300
额定电流 Rated Current [A]	30	-	10
接线范围 Wire Range	26-10		
单/多芯线 Solid/Stranded [AWG]	26-10		
耐电压 Withstanding Voltage	1600V/1Min		
IEC 技术参数	IEC60947-7-4		
IEC Technical Data	III	III	II
过电压类别 Overvoltage Category	III	III	II
污染等级 Contamination Class	3	2	2
额定电压 Rated Voltage [V]	450	630	1000
额定电流 Rated Current [A]	32	32	32
额定冲击电压 Impulse withstand voltage [KV]	6.0	6.0	6.0
导线截面积 Conductor cross section	0.5-4.0		
硬质/柔性导线 Solid/flexible [mm ²]	0.5-4.0		
材料 Material			
绝缘材料 Insulation Material	PA66		
阻燃等级 Imflammability	UL94V-0		
导体材料 Contactor Material	铜合金 Copper alloy		
导体表面镀层 Contactive Coating	镀锡 Sn Plated		
一般参数 Other Data			
间距 Pitch /极数 Poles [mm]/[P]	7.5 / 02-24		
剥线长度 Stripping Length [mm]	7		
螺丝 Screw/扭矩 Torque(Max) [N.m]	M3/0.5		
工作温度 Operating temperature [°C]	-40~105		
焊锡温度 Soldering temperature	260°C/5S		
引针尺寸 Pin Dimensions [mm]	0.8*1.0		
PCB板孔径 PCB Hole Diameter [mm]	Ø1.5		

NINGBO RHT ELECTRONIC CO.,LTD

UNITS:mm

SHEET SIZE:A4

SCALE:---

RE-C-135-7.50-XXP-4S

>0~3

>3~18

>18~50

>50~120

±0.12

±0.15

±0.3

±0.5

TERMINAL BLOCK