

# Switch



www.rhtecp.com

## DIP Switch Series

### RE-S-KL End-stackable SMT Type DIP Switch

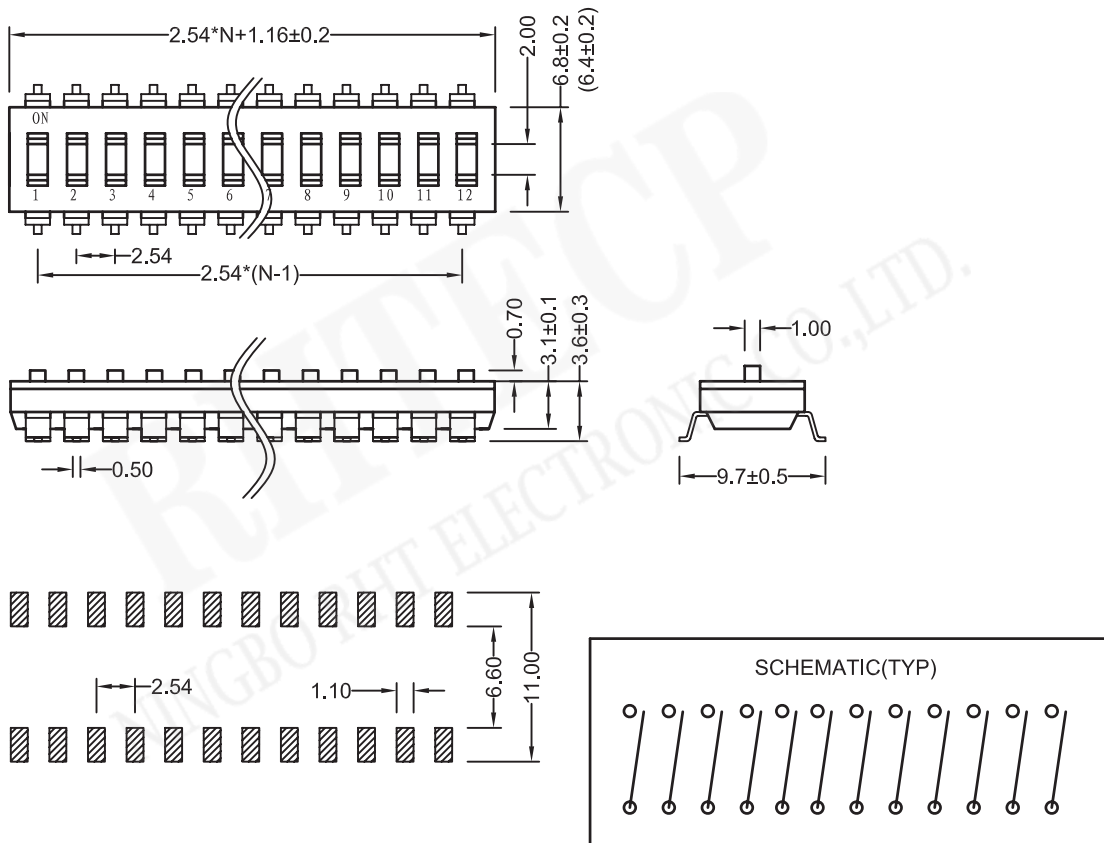
#### Specifications

- Contact Rating: 25 mA at 24VDC (switching)  
100 mA at 50VDC (steady state)
- Life: 1,000 cycles
- Contact Resistance: 100mΩ Max.
- Insulation Resistance: 100MΩ at 100VDC Min
- Dielectric Strength: 300VAC Min
- Storage Temperature: -40°C ~ 85°C
- Operating Temperature: -25°C ~ 70°C.
- Operation Force : 8N Max.



#### Materials

- Base & Cover: PPS (UL94V-0)
- Actuator: PA46 (UL94V-0).
- Contacts: Brass, Gold/Tin Plate
- Terminals: Brass, Gold/Tin Plate



P.C.B. LAYOUT

## ORDER INFORMATION

RE-S-KL - XX - N - 0 0

- Part Number
- KL : Bulge Type Dip Switch
- Number of Pos.: 01~12 Pos.
- Packaging: 0=Tube  
0: Non-sealed
- Color: N=Black

# Switch



www.rhtecp.com

## DIP Switch Series

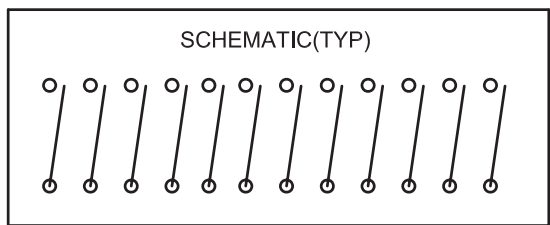
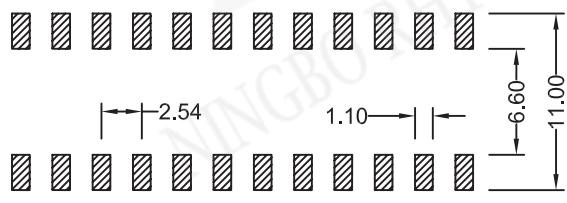
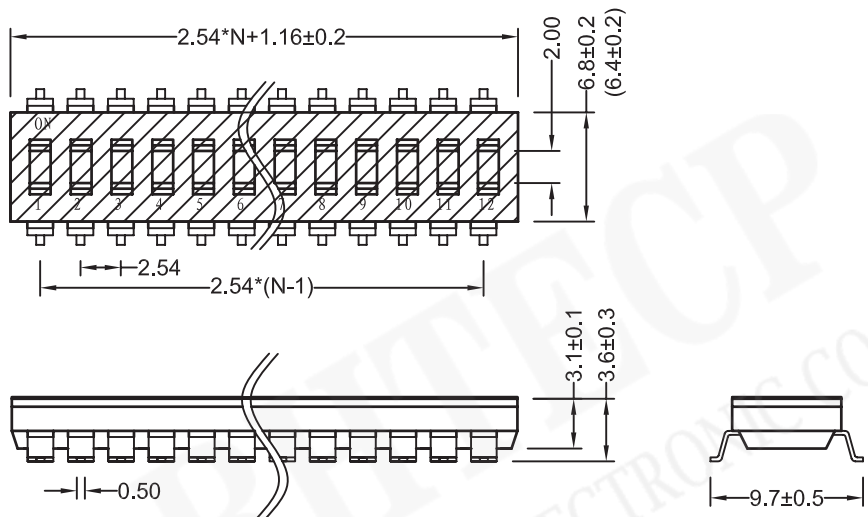
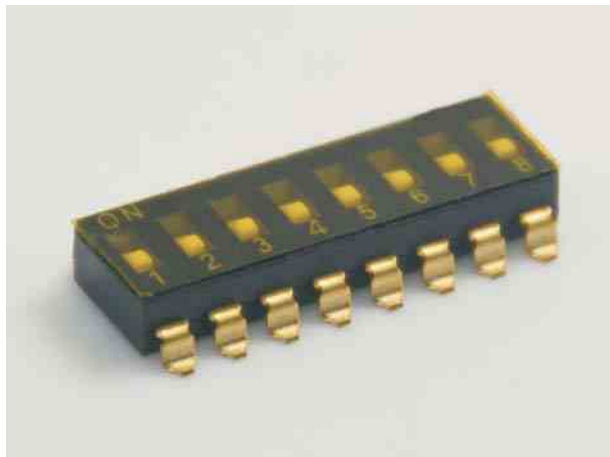
### RE-S-KLR End-stackable SMT Type DIP Switch

**Specifications**

- Contact Rating: 25 mA at 24VDC (switching)  
100 mA at 50VDC (steady state)
- Life: 1,000 cycles
- Contact Resistance: 100mΩ Max.
- Insulation Resistance: 100MΩ at 100VDC Min
- Dielectric Strength: 300VAC Min
- Storage Temperature: -40°C ~ 85°C
- Operating Temperature: -25°C ~ 70°C.
- Operation Force : 8N Max.

**Materials**

- Base & Cover: PPS (UL94V-0)
- Actuator: PA46 (UL94V-0).
- Contacts: Brass, Gold / Tin Plate
- Terminals: Brass, Gold / Tin Plate
- Mylar: 0.05mm UL94V-0 Mylar



P.C.B. LAYOUT

## ORDER INFORMATION

