



宁波芮恒特电子有限公司
NINGBO RHT ELECTRONIC CO.,LTD

产品规格书

Specification For Approval

Client's name: _____

Product name: 0.56"/1 digits/Common Anode/red/Grey surface/RoHS

Product number: RE-L-D-5613GUHR-11

日期: 2022-7-6

客户确认 Approved by

签名 Sign:

日期 date:

请确认后回传 Please return by one copy

宁波芮恒特电子有限公司

NINGBO RHT ELECTRONIC CO.,LTD

设计 Design: _____ 检查 Checked: _____ 批准 Approved: _____



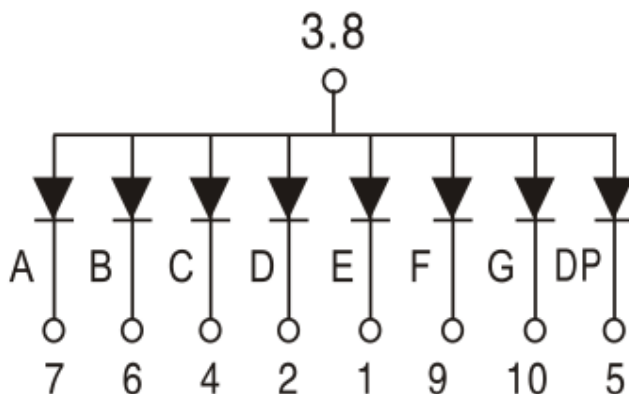
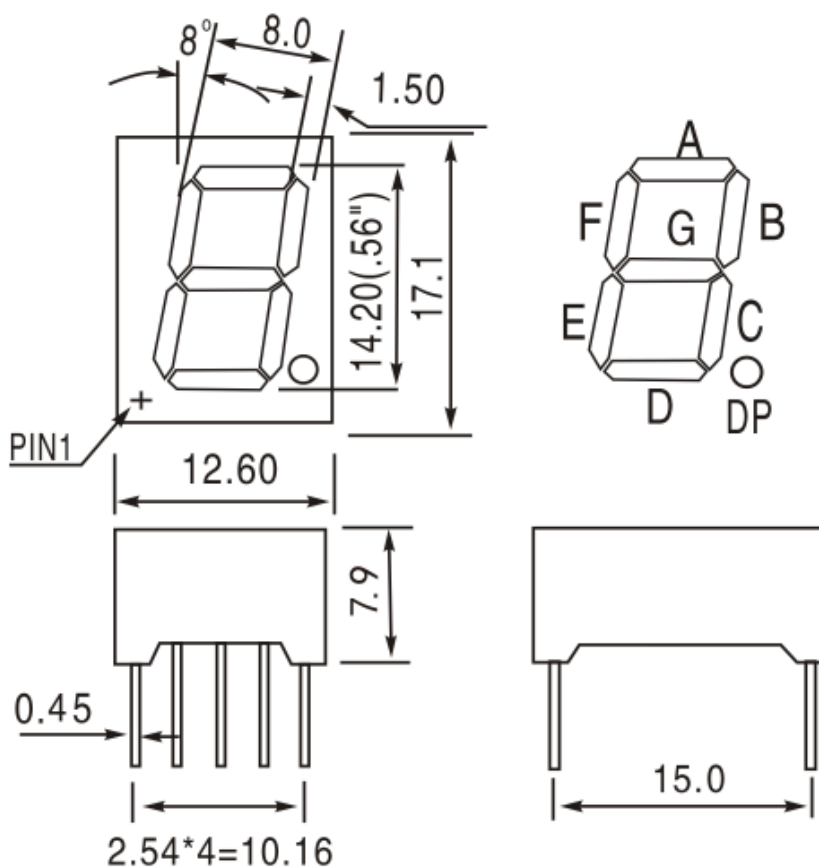
宁波芮恒特电子有限公司

NINGBO RHT ELECTRONIC CO.,LTD

● **Specification Description:**

8 characters high	Number of digits	Polarity	Glow color	Total points	Surface color	Colloid color	Remark
0.56 inch	1	Common Yang	red	8	Grey	White	

● **Dimensions and pin functions:** (长 x 宽 x 高) 12.6X 17.1 X 7.9 (mm)





宁波芮恒特电子有限公司

NINGBO RHT ELECTRONIC CO.,LTD

Note: All dimensions in the figure are in mm; the dimension error range without error range is $\pm 0.25\text{mm}$;

● Photoelectric parameters of luminous body ($T_a=25^\circ\text{C}$):

Performance parameters	symbol	Test Conditions	minimum	Typical value	maximum value	unit
Forward Voltage	Vf	20mA	_____	2.0	_____	V
Reverse current	Ir	VF=5V	_____	_____	10	uA
Luminous intensity	Iv	20mA	30	_____	37	mcd
Dominant wavelength	λ	20mA	_____	634	_____	nm

● Limit parameters ($T_a=25^\circ\text{C}$)

parameter	symbol	minimum	maximum value	unit
Forward pulse current*	Ifp	_____	70	mA
Reverse voltage	Vr	_____	5	V
Operating temperature	Topr	-20	80	$^\circ\text{C}$
Storage temperature	Tstg	-25	85	$^\circ\text{C}$
Power consumption	Pd	_____	75	mW

*Note: Pulse width: 10ms duty cycle 1/10



宁波芮恒特电子有限公司

NINGBO RHT ELECTRONIC CO.,LTD

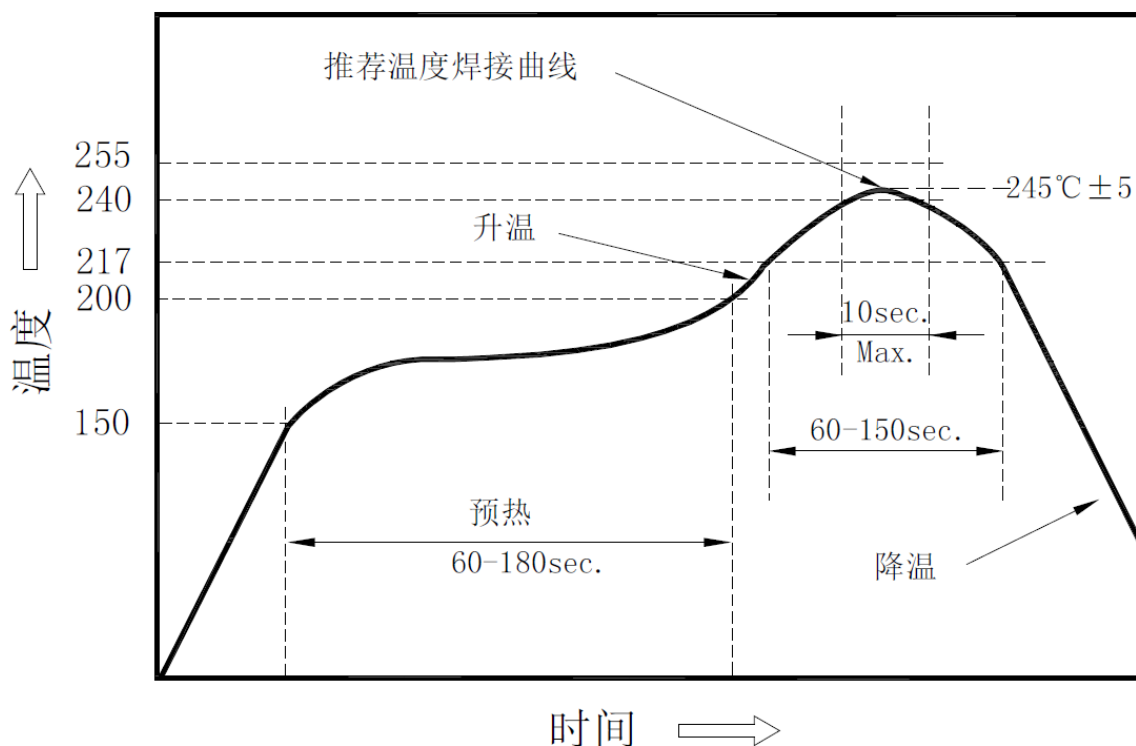
- Storage and transportation:

- ① Digital for electronic products should do a good job of moisture-proof
- ② When transporting or transferring, it is necessary to minimize mechanical vibration and shock; when handling, it should be handled with care, and when stacking, do not stack too high, and do not put too heavy items on it to avoid crushing the LED.

- ③ The digital is an electrostatic sensitive device, and anti-static measures should also be taken when the printed circuit board or the whole machine with electrostatic sensitive devices is installed.

- Digital welding conditions:

- ① Soldering iron welding: the temperature of the tip of the soldering iron (up to 60W) does not exceed 260° C; the soldering time does not exceed 3 seconds;
- ② Wave soldering dip soldering: the maximum temperature does not exceed 260 °C; the reflow process does not exceed 2 times



- cleaning:

Special care must be taken when cleaning the gel with chemicals, as some chemicals can damage the surface of the gel and cause discoloration such as trichloroethylene, acetone, etc. It can be wiped and dipped with ethanol, and the time should not exceed 3 minutes at room temperature



宁波芮恒特电子有限公司

NINGBO RHT ELECTRONIC CO.,LTD

Precautions for use: (recommended constant current use, constant voltage control will cause uneven brightness)

- ① When used, the current and voltage must be correct
- ② The product must not be stored and used in corrosive gas, and the time of exposure to air should not be too long, otherwise it will cause oxidation
- ③ All equipment and instruments that come into contact with digital must be grounded
- ④ All personnel who come into contact with digital must wear anti-static wrist straps or anti-static gloves; because the human body discharge mode HBM<1000V; the machine discharge mode <100V
- ⑤ If the digital is damaged by static electricity, it will show some bad characteristics, such as increased leakage current, rising static forward voltage, no light or abnormal light in low current test, and shortened service life