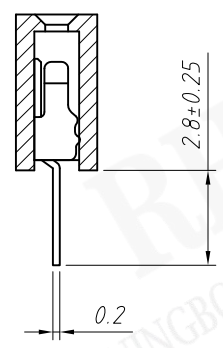
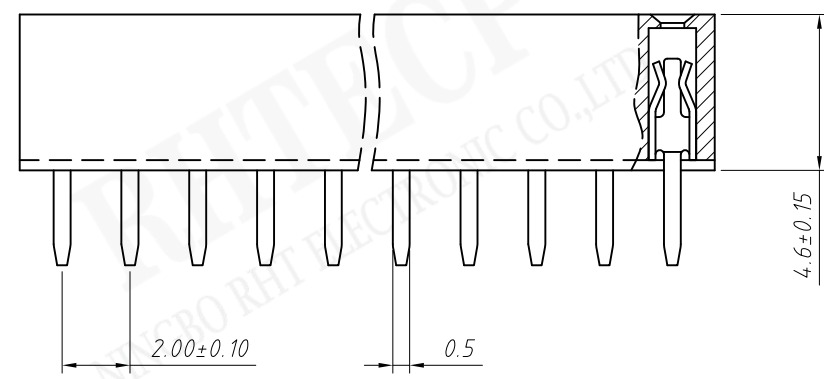


Recommended P.C.B Layout (Top Side)
(PCB BOARD TOLERANCE ±0.05)

Material:
 Standard: PBT/PA6T
 Contact: Brass
 Plating: Au or Sn Over Ni
 Insulator: Polyester, UL94V-0

Electrical Characteristics:
 Rated Current: 1.5AMP
 Contact Resistance: 20mΩ Max
 Withstand Voltage: 500V AC/DC
 Insulator Resistance: 1000MΩ Min

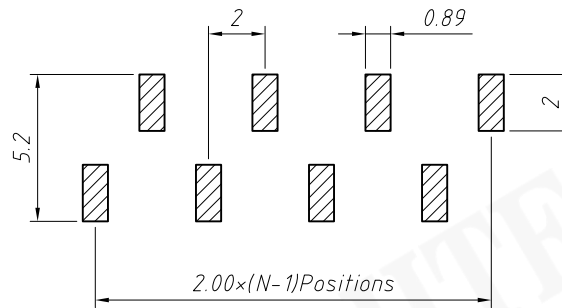
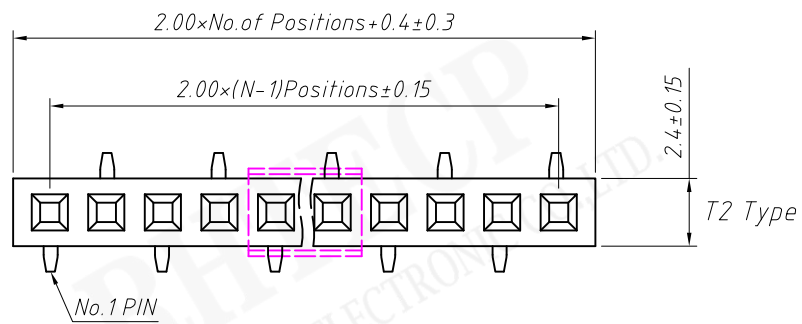
Mechanical
 Operating Temperature: -40°C ~ +105°C
 Max. Processing Temp: 230°C for 30-60 seconds (260°C for 10 seconds)



Order Information:
 RE-C-208B-4.6-1-XX-S-B

Female Header
 Series 208B: 2.00mm
 Plastics Height: 4.6mm
 Per Row: Single layer
 Pin: No. of Pins (1x40)
 Type: Straight Pin
 Material: A=PBT B=PA6T C=LCP

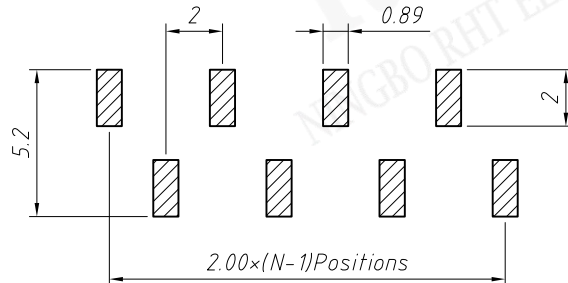
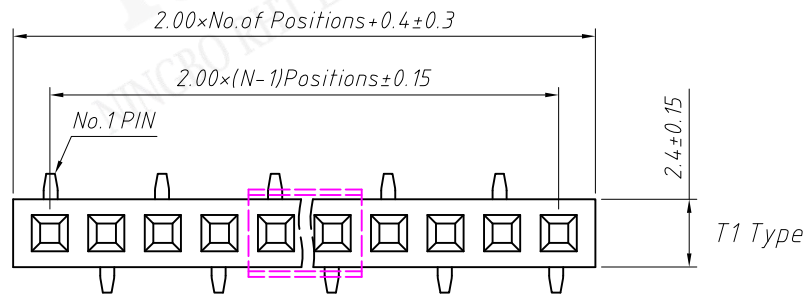
UNITS:mm	SHEET SIZE:A4		SCALE:---
>0~3	>3~18	>18~50	>50~120
±0.12	±0.15	±0.3	±0.5



Material:
 Standard:PA6T
 Contact:Brass
 Contact plating: Au or Sn over Ni
 Nickel/Insulator: Polyester, UL94V-0

Electrical Characteristics:
 Rated Current: 1.5AMP
 Contact Resistance: 20mΩ Max
 Withstand Voltage: 500V AC/DC
 Insulator Resistance: 1000MΩ Min

Mechanical
 Operating Temperature: -40°C ~ +105°C
 Max.Processing Temp: 230°C for 30-60 seconds (260°C for 10 seconds)

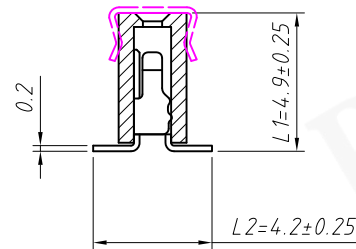
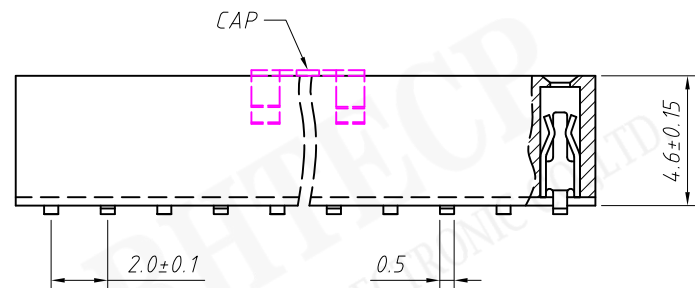


Recommended P.C.B Layout (Top Side)
 (PCB BOARD TOLERANCE ±0.05)

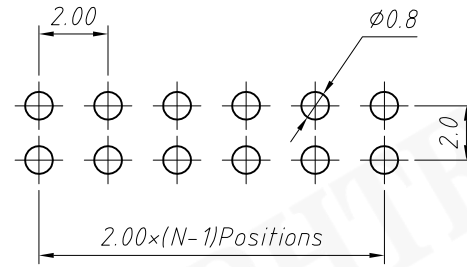
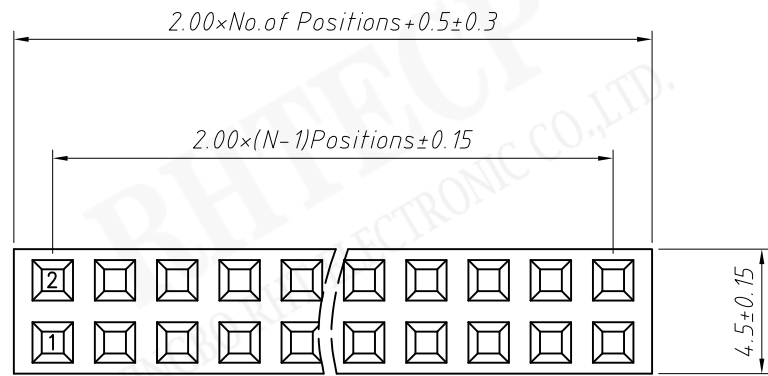
Order Information:

RE-C-208B-4.6-1-XX-T1-L1xL2-N-B-R

Pin Header Series: 208B:2.00mm
 Plastics Height: 4.6mm
 Per Row: Single layer
 Pin: No. of Pins (1x40)
 SMT Pin: T1 Type, T2 Type
 Size: L1xL2
 Post: W=With Post N=W/O Post
 Material: A=PBT B=PA6T C=LCP
 Packing:
 A=Tray T=Tube M=Reel+Mylar
 P=Tube+Cap R=Reel+Cap



Dimension antitheses list (mm)			
ITEM	L1	L2	Plastic Height
Standard	4.90	4.20	4.60
Nonstandard	---	---	---

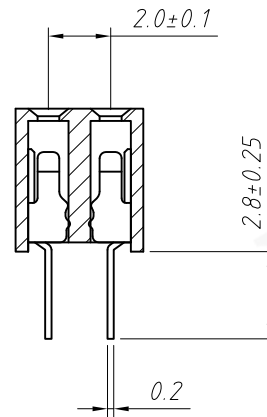
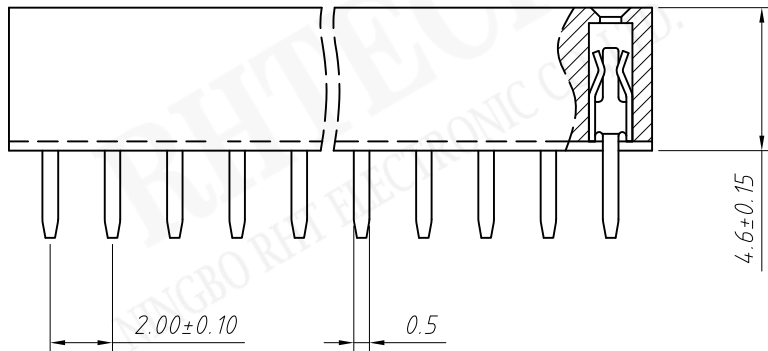


Recommended P.C.B Layout (Top Side)
(PCB BOARD TOLERANCE ±0.05)

Material:
 Standard: PBT/PA6T
 Contact: Brass
 Plating: Au or Sn Over Ni
 Insulator: Polyester, UL94V-0

Electrical Characteristics:
 Rated Current: 1.5AMP
 Contact Resistance: 20mΩ Max
 Withstand Voltage: 500V AC/DC
 Insulator Resistance: 1000MΩ Min

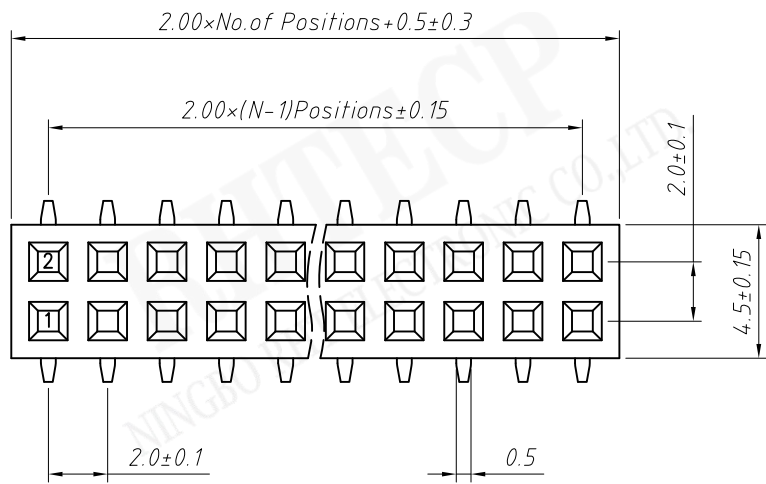
Mechanical
 Operating Temperature: -40°C ~ +105°C
 Max. Processing Temp: 230°C for 30-60 seconds (260°C for 10 seconds)



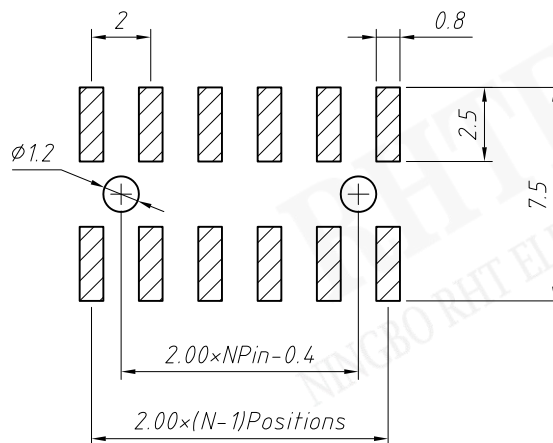
Order Information:
 RE-C-208B-4.6-2-XX-S-B

Female Header
 Series 208B: 2.00mm
 Plastics Height: 4.6mm
 Per Row: Double layer
 Pin: No. of Pins (02~80)
 Type: Straight Pin
 Material: A=PBT B=PA6T C=LCP

UNITS:mm	SHEET SIZE:A4		SCALE:---
>0~3	>3~18	>18~50	>50~120
±0.12	±0.15	±0.3	±0.5



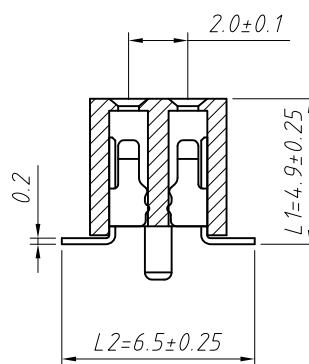
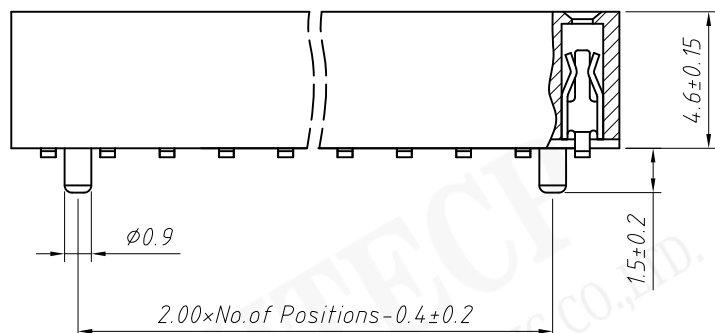
Recommended P.C.B Layout (Top Side)
(PCB BOARD TOLERANCE±0.05)



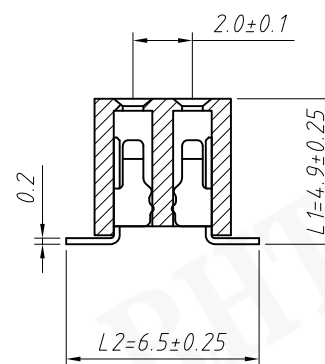
Material:
Standard:PA6T
Contact:Brass
Contact plating:Au or Sn over Ni
NickelInsulator:Polyester,UL94V-0

Electrical Characteristics:
Rated Current: 1.5AMP
Contact Resistance: 20mΩ Max
Withstand Voltage: 500V AC/DC
Insulator Resistance: 1000MΩ Min

Mechanical
Operating Temperature: -4.0°C ~ +105°C
Max.Processing Temp:230°C for 30-60 seconds (260°C for 10 seconds)



T3=With Post



T=Without Post

Order Information:

RE-C-208B-4.6-2-XX-T-L1xL2-B-R

Pin Header Series—
208B:2.00mm
Plastics Height:4.6mm
Per Row:Double layer
Pin: No. of Pins (02~80)
SMT:T=Without Post,T3=With Post
Size:L1xL2
Material:A=PBT B=PA6T C=LCP
Packing:—
A=Tray T=Tube M=Reel+Mylar
P=Tube+Cap R=Reel+Cap

Dimension antitheses list (mm)

ITEM	L1	L2	Plastic Height
Standard	4.90	6.50	4.60
Nonsstandard	---	---	---