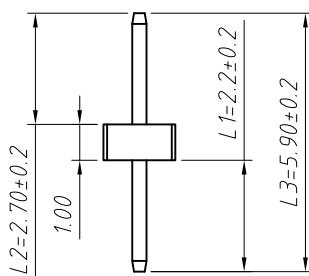
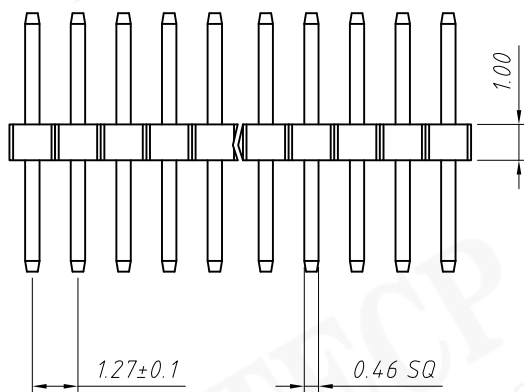


Recommended P.C.B Hole Layout

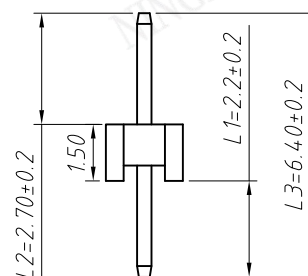
Material:
 Standard: PA6T
 Contact: Brass
 Insulator: Polyester, UL 94V-0

Electrical Characteristics:
 Rated Current: 1AMP
 Contact Resistance: 20mΩ Max
 Withstand Voltage: 500V AC/DC
 Insulator Resistance: 1000MΩ Min

Mechanical
 Operating Temperature: $-40^{\circ}\text{C} \sim +105^{\circ}\text{C}$
 Max. Processing Temp: 240 for 30-60 seconds
 (260°C for 10 seconds)



S1 Type

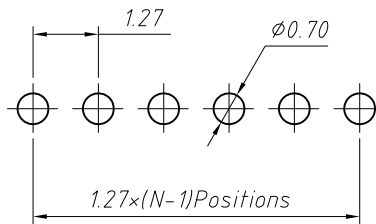
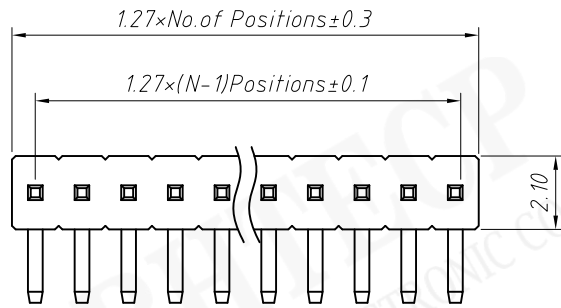


S2 Type

Order Information:
 RE-C-207C-1.00-1-XX-S1-L1×L2×L3-G0

Pin Header Series —
 207C: 1.27mm
 Plastics Height: —
 1.00, 1.50, 1.70, 2.00, 2.50 mm
 Per Row: Single layer —
 Pin: No. of Pins (1×50) —
 Straight Pin: S1 Type, S2 Type —
 Size: L1×L2×L3 —
 Plating: —
 G0=Gold Flash G1=1u" Gold
 G10=10u" Gold G15=15u" Gold
 G30=30u" Gold

Dimension antitheses list (mm)				
ITEM	L1	L2	L3	Plastic Height
Standard	2.20	2.70	5.90	1.00
Nonstandard	---	---	---	---



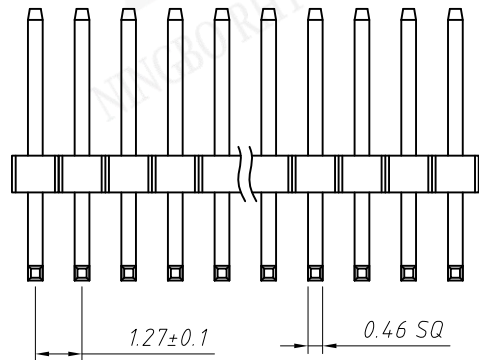
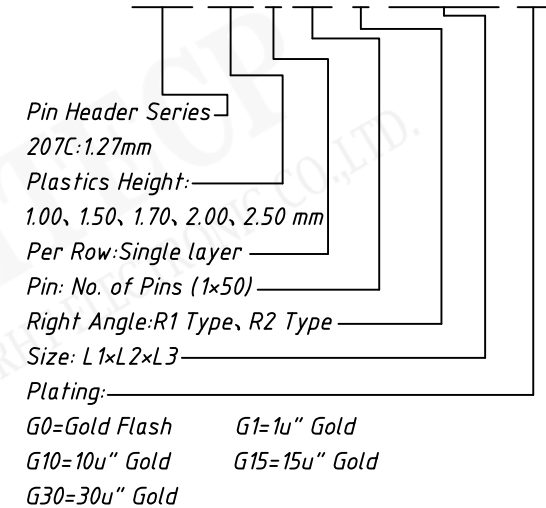
Recommended P.C.B Hole Layout

Material:
Standard: PA6T
Contact: Brass
Insulator: Polyester, UL 94V-0

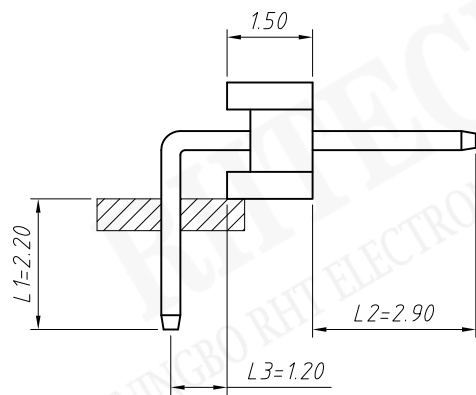
Electrical Characteristics:
Rated Current: 1AMP
Contact Resistance: 20mΩ Max
Withstand Voltage: 500V AC/DC
Insulator Resistance: 1000MΩ Min

Mechanical
Operating Temperature: -40°C ~ +105°C
Max. Processing Temp: 240 for 30-60 seconds
 (260°C for 10 seconds)

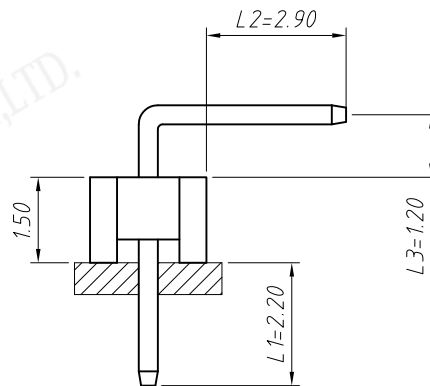
Order Information:
 RE-C-207C-1.50-1-XX-R1-L1xL2xL3-G0



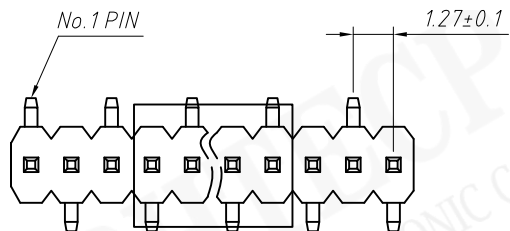
Dimension antitheses list (mm)				
ITEM	L1	L2	L3	Plastic Height
Standard	2.20	2.90	1.20	1.50
Nonstandard	---	---	---	---



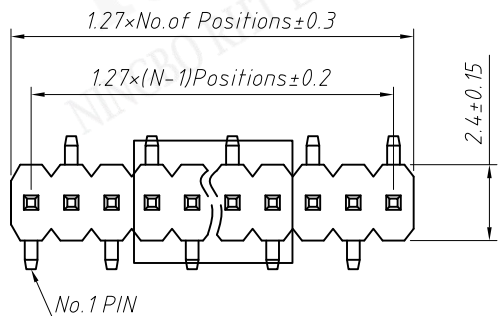
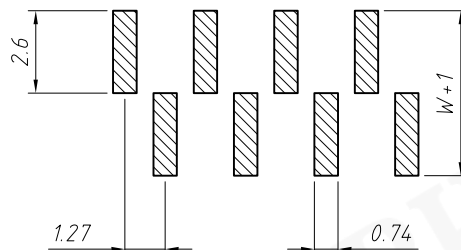
R2 Type



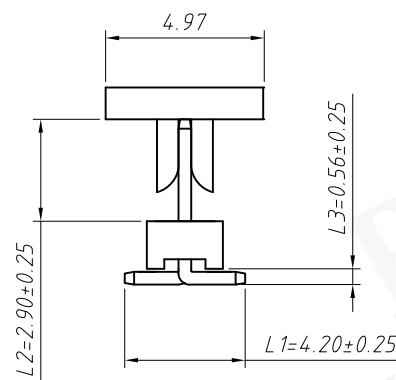
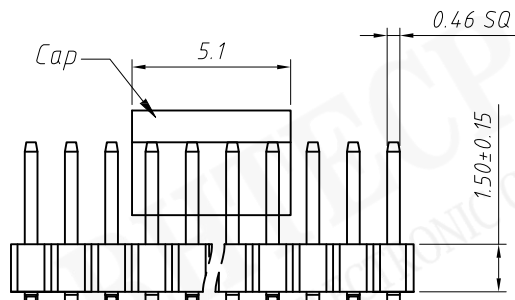
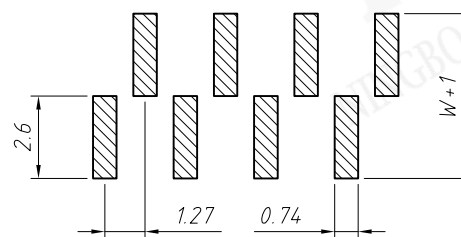
R1 Type



T1 Type



T2 Type



Dimension antitheses list (mm)

ITEM	L1	L2	L3	Plastic Height
Standard	4.20	2.90	0.56	1.50
Nonstandard	---	---	---	---

Material:
Standard:PA6T
Contact: Brass
Insulator:Polyester,UL 94V-0

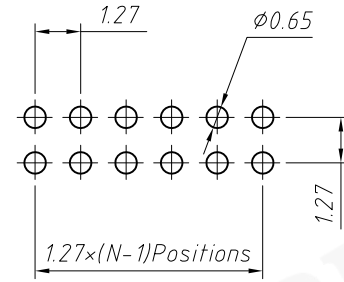
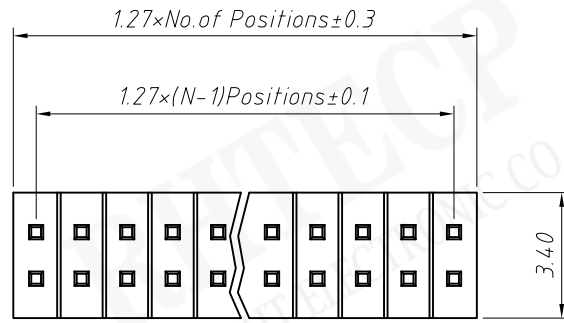
Electrical Characteristics:
Rated Current: 1AMP
Contact Resistance: 20mΩ Max
Withstand Voltage: 500V AC/DC
Insulator Resistance: 1000MΩ Min

Mechanical
Operating Temperature: -40°C ~ +105°C
Max.Processing Temp:230°C for 30-60 seconds
(260°C for 10 seconds)

Order Information:

RE-C-207C-1.50-1-XX-T1-L1×L2×L3-G0

Pin Header Series
207C:1.27mm
Plastics Height:
1.00, 1.50, 1.70, 2.00, 2.50 mm
Per Row:Single layer
Pin: No. of Pins (1×50)
SMT Pin:T1 Type, T2 Type
Size: L1×L2×L3
Plating:
G0=Gold Flash G1=1u" Gold
G10=10u" Gold G15=15u" Gold
G30=30u" Gold

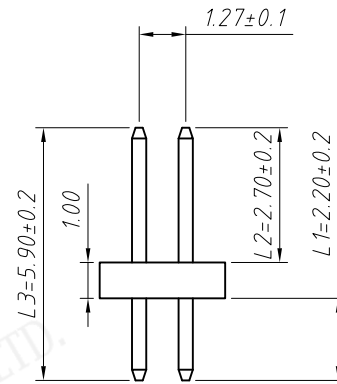
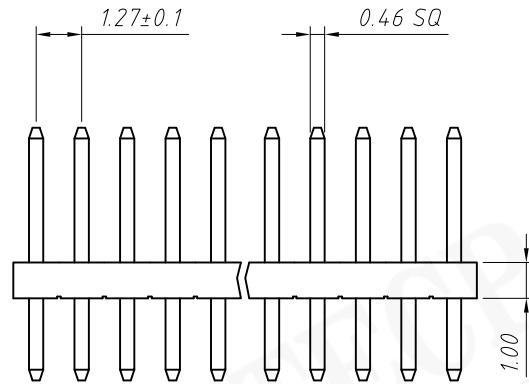


Recommended P.C.B Hole Layout

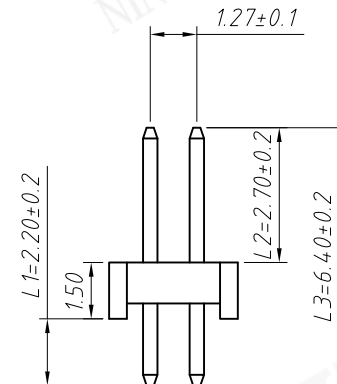
Material:
Standard: PA6T
Contact: Brass
Insulator: Polyester, UL 94 V-0

Electrical Characteristics:
Rated Current: 1AMP
Contact Resistance: 20mΩ Max
Withstand Voltage: 500V AC/DC
Insulator Resistance: 1000MΩ Min

Mechanical
Operating Temperature: -40°C ~ +105°C
Max. Processing Temp: 240 for 30-60 seconds
(260°C for 10 seconds)



S1 Type



S2 Type

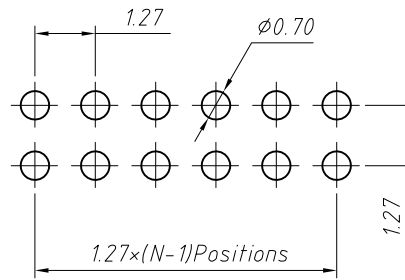
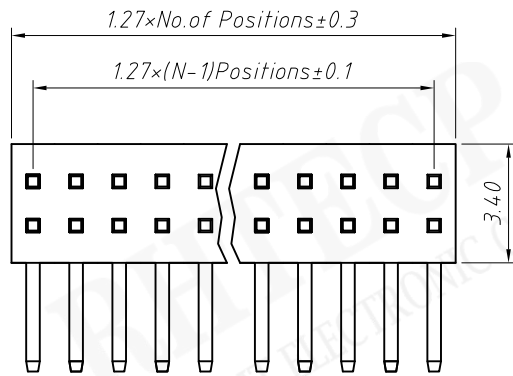
Order Information:

RE-C-207C-1.00-2-XX-S1-L1xL2xL3-G0

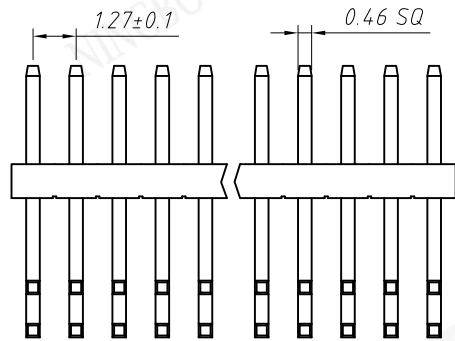
Pin Header Series—
207C: 1.27mm
Plastics Height:
1.00, 1.50, 1.70, 2.00, 2.50 mm
Per Row: Double layer
Pin: No. of Pins (2~100)
Straight Pin: S1 Type, S2 Type
Size: L1xL2xL3

Plating:
G0=Gold Flash G1=1u" Gold
G10=10u" Gold G15=15u" Gold
G30=30u" Gold

Dimension antitheses list (mm)				
ITEM	L1	L2	L3	Plastic Height
Standard	2.20	2.70	5.90	1.00
Nonstandard	---	---	---	---



Recommended P.C.B Hole Layout



Dimension antitheses list (mm)				
ITEM	L1	L2	L3	Plastic Height
Standard	2.20	2.90	1.20	1.50
Nonstandard	---	---	---	---

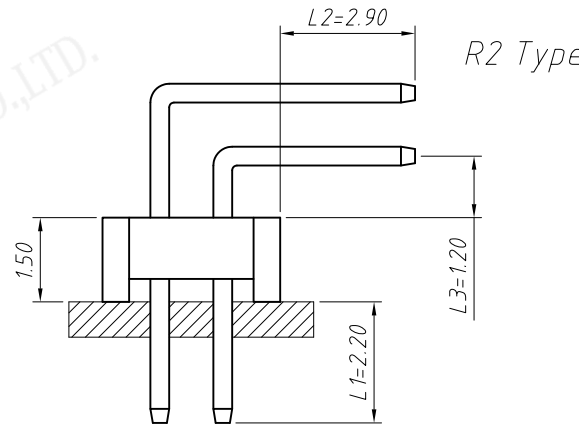
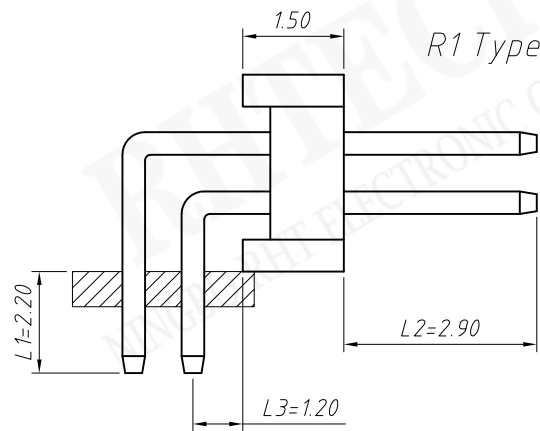
Material:
Standard: PA6T
Contact: Brass
Insulator: Polyester, UL 94V-0

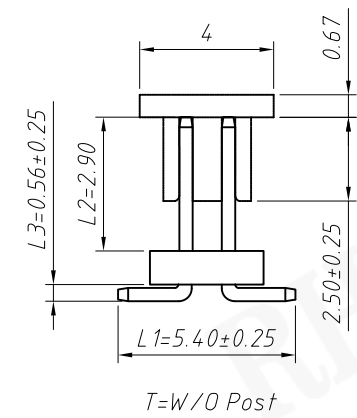
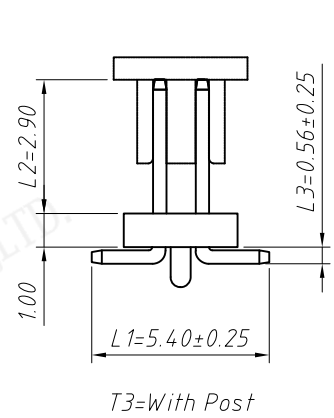
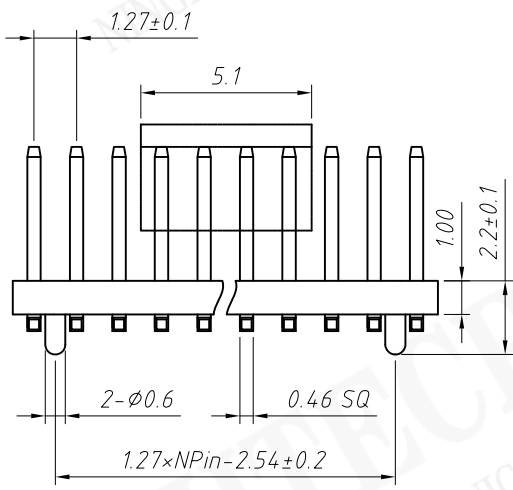
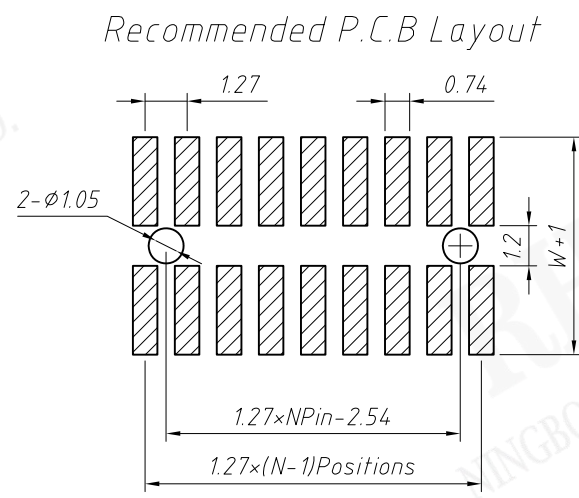
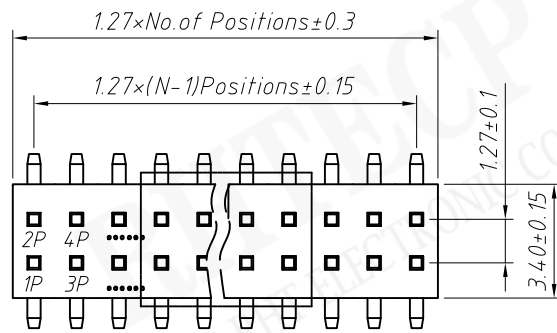
Electrical Characteristics:
Rated Current: 1AMP
Contact Resistance: 20mΩ Max
Withstand Voltage: 500V AC/DC
Insulator Resistance: 1000MΩ Min

Mechanical
Operating Temperature: -40°C ~ +105°C
Max. Processing Temp: 240 for 30-60 seconds
(260°C for 10 seconds)

Order Information:
RE-C-207C-1.50-2-XX-R1-L1xL2xL3-G0

Pin Header Series—
207C: 1.27mm
Plastics Height:—
1.00, 1.50, 1.70, 2.00, 2.50 mm
Per Row: Double layer—
Pin: No. of Pins (2~100)
Right Angle: R1 Type, R2 Type—
Size: L1xL2xL3
Plating:—
G0=Gold Flash G1=1u" Gold
G10=10u" Gold G15=15u" Gold
G30=30u" Gold



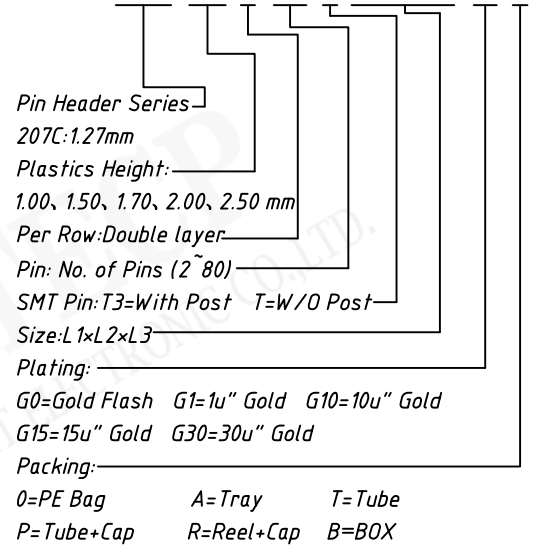


Material:
Housing:PA6T
Contact: Brass

Electrical Characteristics:
Rated Current: 1AMP
Contact Resistance: 20mΩ Max
Withstand Voltage: 500V AC/DC
Insulator Resistance: 1000MΩ Min

Mechanical
Operating Temperature: -40°C ~ +105°C

Order Information:
 RE-C-207C-1.00-2-XX-T-L1xL2xL3-G0-B



Dimension antitheses list (mm)				
ITEM	L1	L2	L3	Plastic Height
Standard	5.40	2.90	0.56	1.00
Nonstandard	---	---	---	---

UNITS:mm	SHEET SIZE:A4		SCALE:---	
>0~3	>3~18	>18~50	>50~120	
±0.12	±0.15	±0.3	±0.5	