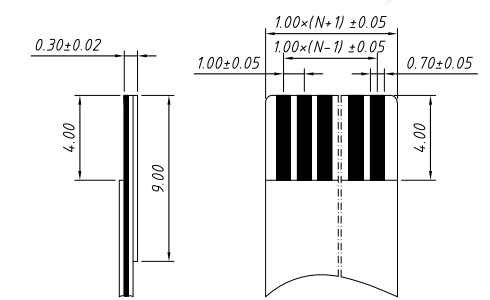
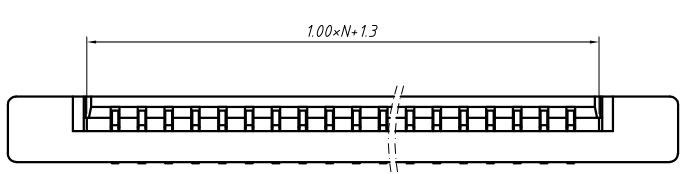


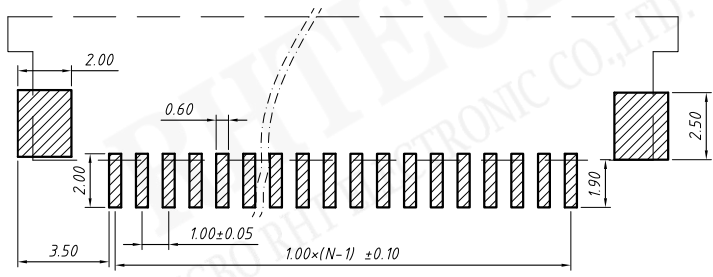
Material
 Housing: LCP, UL 94V-0
 Lock: LCP, UL 94V-0
 Plug spring: Phosphor Bronze, Gold/Tin
 Soldering: Phosphor Bronze, Gold/Tin

Electrical
 Voltage rating: 50 V
 Current Rating: 0.5 A
 Withstanding Voltage: 500 V
 Insulation resistance: 800M Ω .Min.
 Contact resistance: 20 m Ω .Max.



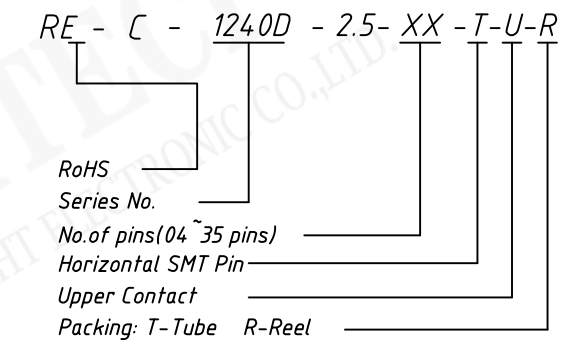
Proper Cable

Mechanical
 Temp. Range: -25 °C ~ +85 °C

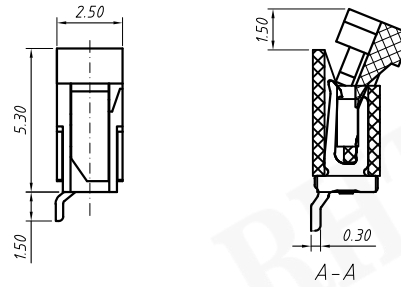
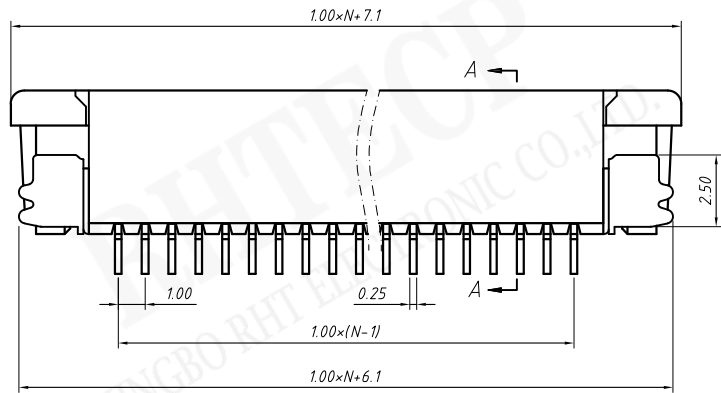


PCB Layout

Order Information

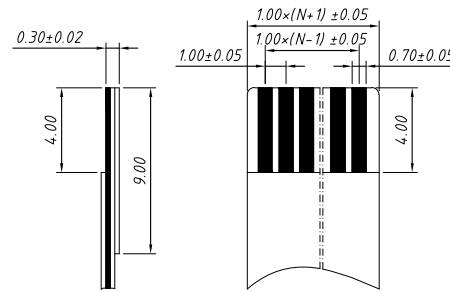
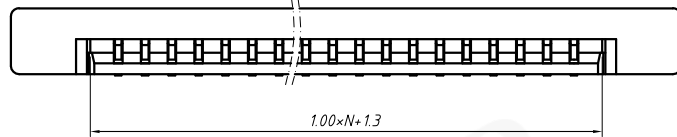


UNITS:mm	SHEET SIZE:A4	SCALE:---	
>0~3	>3~18	>18~50	>50~120
±0.12	±0.15	±0.3	±0.5



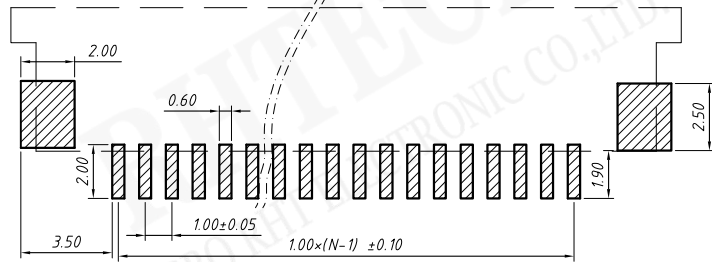
Material
 Housing:LCP, UL 94V-0
 Lock:LCP, UL 94V-0
 Plug spring:Phosphor Bronze,Gold/Tin
 Soldering:Phosphor Bronze,Gold/Tin

Electrical
 Voltage rating: 50 V
 Current Rating: 0.5 A
 Withstanding Voltage: 500 V
 Insulation resistance: 800MΩ.Min.
 Contact resistance: 20 mΩ.Max.



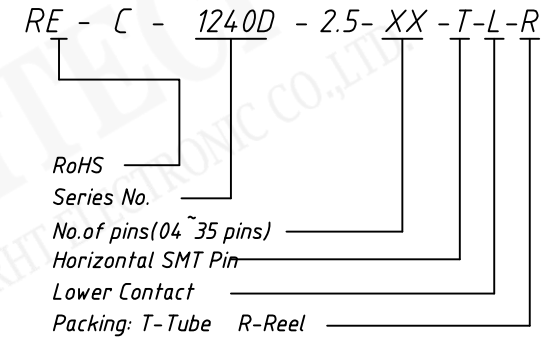
Proper Cable

Mechanical
 Temp. Range: -25 °C ~ + 85 °C



PCB Layout

Order Information



UNITS:mm	SHEET SIZE:A4		SCALE:---
>0~3	>3~18	>18~50	>50~120
±0.12	±0.15	±0.3	±0.5