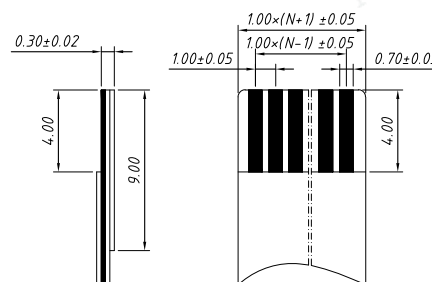
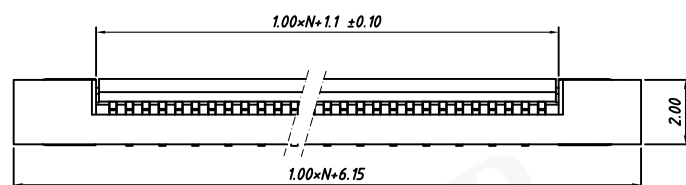


Material
 Housing: LCP UL94V-0
 Lock: LCP UL94V-0
 Plug spring: Phosphor Bronze, Gold/Tin
 Soldering: Phosphor Bronze, Gold/Tin

Electrical
 Voltage rating: 50 V
 Current rating: 0.4 A
 Withstanding Voltage: 500 V
 Insulation resistance: 500M Ω .Min.
 Contact resistance: 20 m Ω .max.

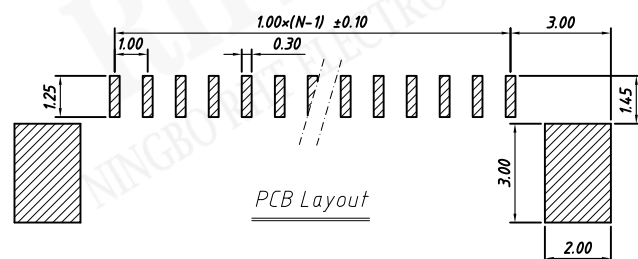
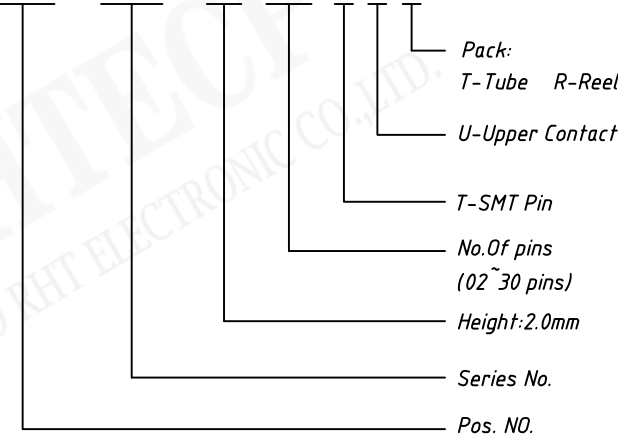
Mechanical
 Temp. Range: -25 °C ~ +85 °C



Proper Cable

Order Information

RE - C - 240F - 2.0- XX - T-U-R



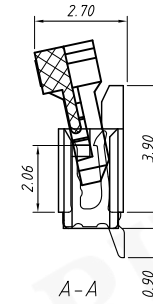
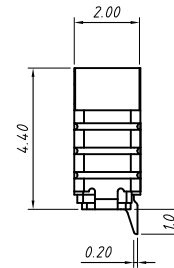
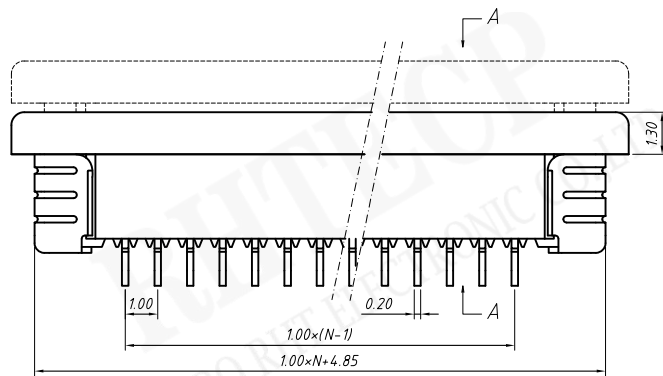
PCB Layout

RHTECP NINGBO RHT ELECTRONIC CO.,LTD

UNITS:mm	SHEET SIZE:A4	SCALE:---
>0~3	>3~18	>18~50
±0.12	±0.15	±0.3
		±0.5

RE - C - 240F - 2.0- XX - T-U-R

CONNECTORS



Material

Housing: LCP UL 94V-0

Lock: LCP UL 94V-0

Plug spring: Phosphor Bronze, Gold/Tin

Soldering: Phosphor Bronze, Gold/Tin

Electrical

Voltage rating: 50 V

Current rating: 0.4 A

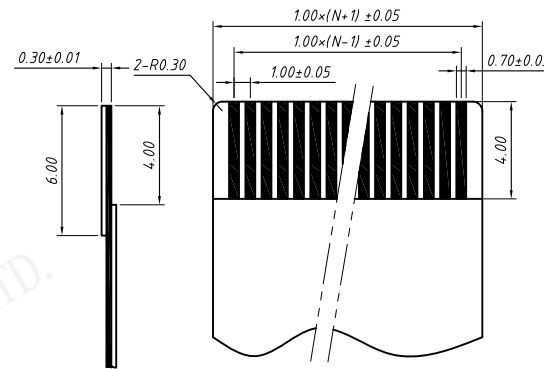
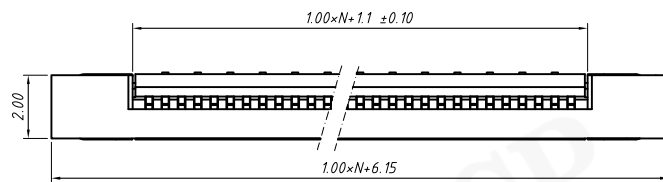
Withstanding Voltage: 500 V

Insulation resistance: 500MΩ.Min.

Contact resistance: 20 mΩ.max.

Mechanical

Temp. Range: -25 °C ~ +85 °C

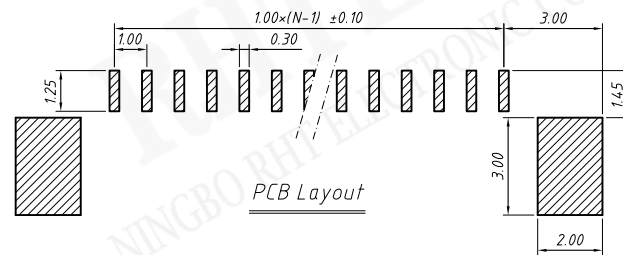


Proper Cable

Order Information

RE - C - 240G - 2.0 - XX - T - L - R

- Pack:
T-Tube R-Reel
- L-Lower Contact
- T-SMT Pin
- No.Of pins
(02~30 pins)
- Height:2.0mm
- Series No.
- Pos. NO.



PCB Layout