

Note

1-100% Testes.No Short or Break Clrcult

2-Storage condition:

Temp:15°C~25°C

Humidity:30~60RH%

3-Conductor : 0.035×0.65mm

4-Supporting Tapc: 0.225mm PET,BLUE

5-Insulation: 0.043mm PET,White

Order Information

RE-CAB-FFC-1.0-XXP-LXXX A 4/8

L: RoHS

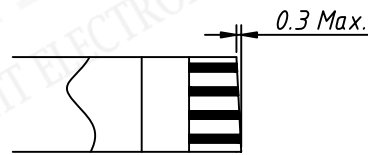
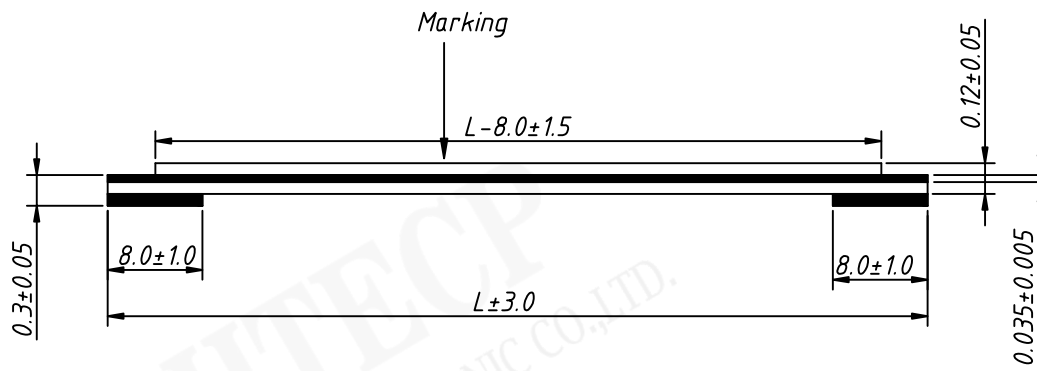
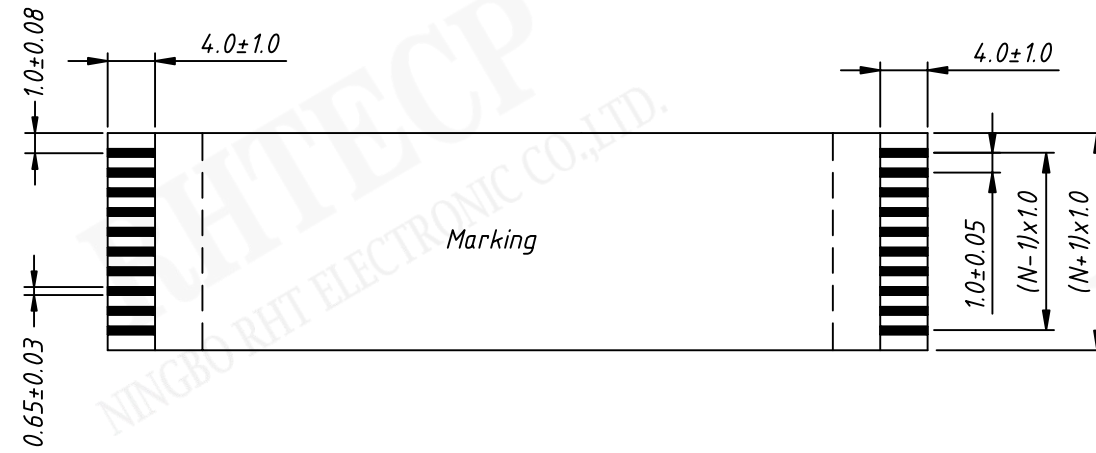
1.0: Pitch 1.0mm

XXP: Number of conductor

XXX: Length 050=50mm 150=150mm

A: Type

4/8: Strip Length/Supporting Tape Length



NINGBO RHT ELECTRONIC CO.,LTD

UNITS:mm

SHEET SIZE:A4

SCALE:---

RE-CAB-FFC-1.0-XXP-LXXXA4/8

>0~3

>3~18

>18~50

>50~120

±0.12

±0.15

±0.3

±0.5

CABLE

Note

1-100%Testes.No Short of Break Clrcult

2-Storage condition:

Temp:15°C~25°C

Humidity:30~60RH%

3-Conductor : 0.035×0.65mm

4-Supporting Tapc: 0.225mm PET,BLUE

5-Insulation: 0.043mm PET,White

Order Information

RE-CAB-FFC-1.0-XXP-LXXX B 4/8

L: RoHS

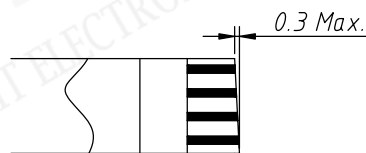
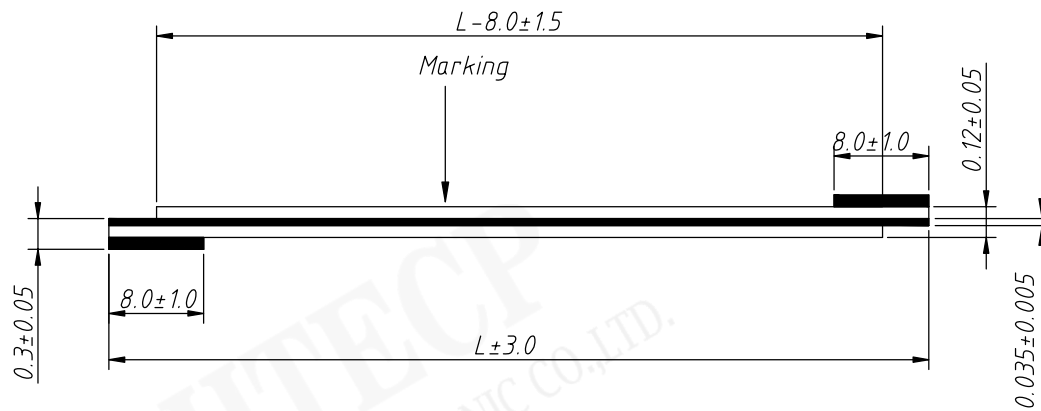
1.0: Pitch 1.0mm

XXP: Number of conductor

XXX: Length 050=50mm 150=150mm

B: Type

4/8: Strip Length/Supporting Tape Length



NINGBO RHT ELECTRONIC CO.,LTD

UNITS:mm

SHEET SIZE:A4

SCALE:---

RE-CAB-FFC-1.0-XXP-LXXXB4/8

>0~3

>3~18

>18~50

>50~120

±0.12

±0.15

±0.3

±0.5

CABLE

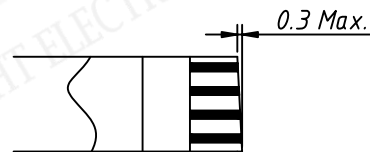
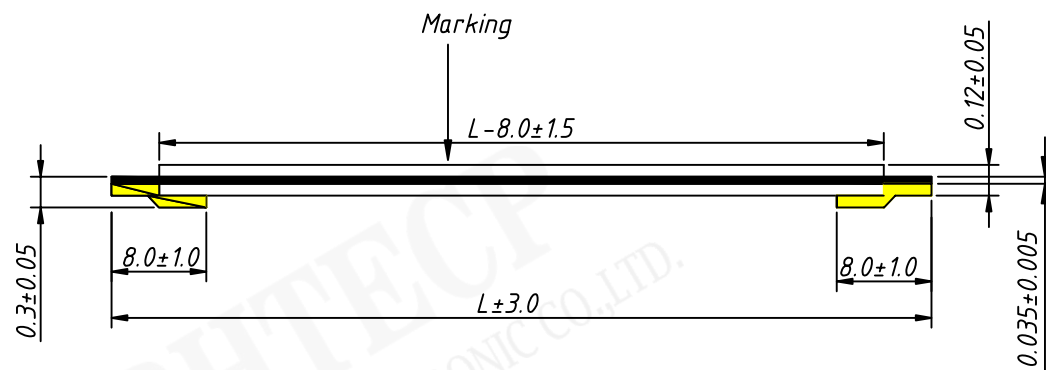
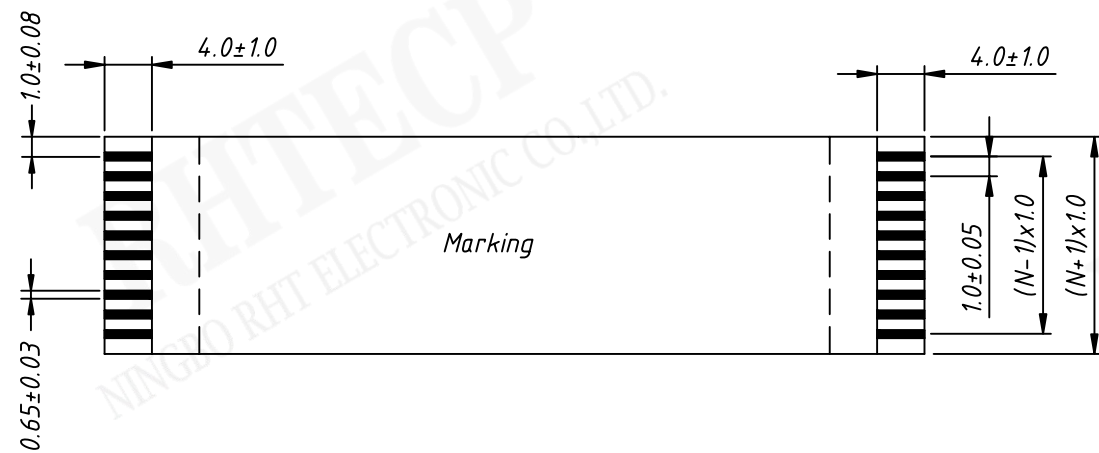
Note

- 1-100% Testes.No Short or Break Circult
- 2-Storage condition:
Temp:15°C ~25°C
Humidity:30 ~60RH%
- 3-Conductor : 0.035×0.65mm
- 4-Supporting Tapc: 0.225mm PET,BLUE
- 5-Insulation: 0.043mm PET,White

Order Information

RE-CAB-FFC-1.0-XXP-LXXX C 4/8

- L: RoHS
- 1.0: Pitch 1.0mm
- XXP: Number of conductor
- XXX: Length 050=50mm 150=150mm
- C: Type
- 4/8: Strip Length/Supporting Tape Length



NINGBO RHT ELECTRONIC CO.,LTD

UNITS:mm

SHEET SIZE:A4

SCALE:---

RE-CAB-FFC-1.0-XXP-LXXXC4/8

>0~3

>3~18

>18~50

>50~120

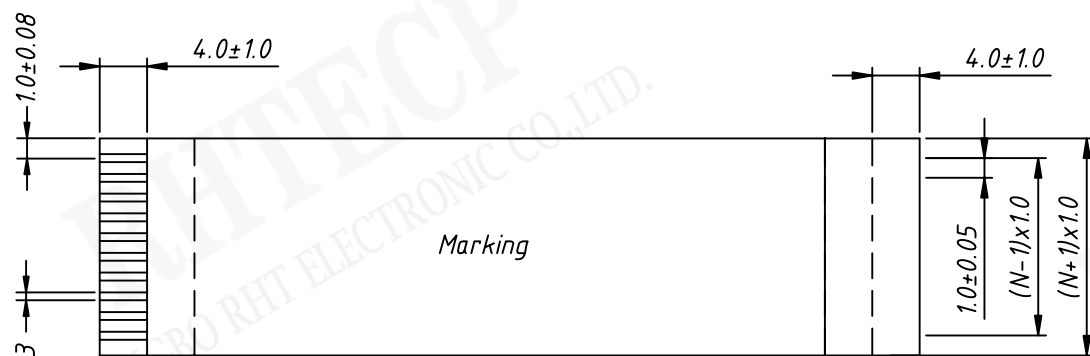
±0.12

±0.15

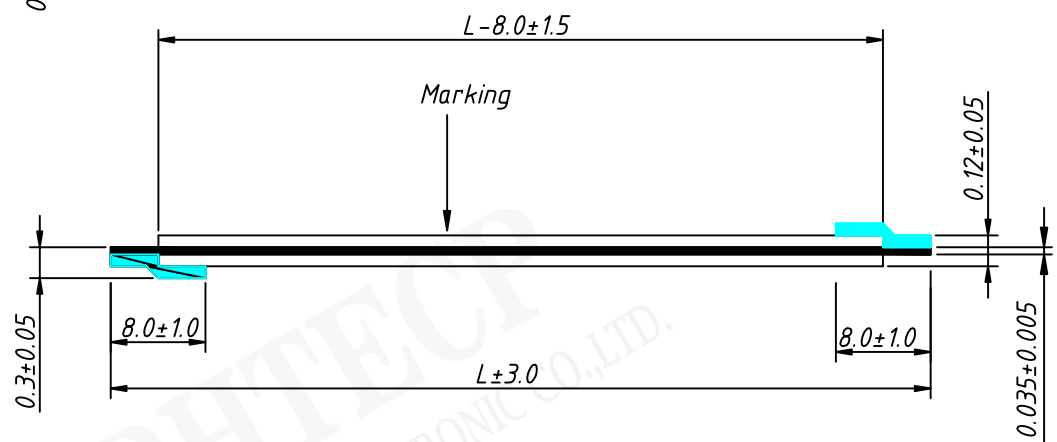
±0.3

±0.5

CABLE



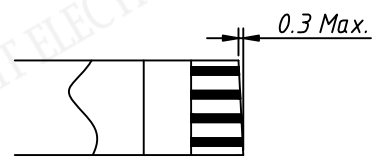
Note
 1-100% Testes.No Short of Break Clrcult
 2-Storage condition:
 Temp:15°C~25°C
 Humidity:30~60RH%
 3-Conductor : 0.035×0.65mm
 4-Supporting Tapc: 0.225mm PET,BLUE
 5-Insulation: 0.043mm PET,White



Order Information

RE-CAB-FFC-1.0-XXP-LXXX D 4/8

- L: RoHS
- 1.0: Pitch 1.0mm
- XXP: Number of conductor
- XXX: Length 050=50mm 150=150mm
- D: Type
- 4/8: Strip Length/Supporting Tape Length



NINGBO RHT ELECTRONIC CO.,LTD

| UNITS:mm | SHEET SIZE:A4 | | SCALE:--- |
|----------|---------------|--------|-----------|
| >0~3 | >3~18 | >18~50 | >50~120 |
| ±0.12 | ±0.15 | ±0.3 | ±0.5 |

RE-CAB-FFC-1.0-XXP-LXXXD4/8

CABLE