

RECOMMENDED PCB LAYOUT
TOLERANCE: ±0.05mm

Material:

Housing: PBT+30% Glass filled, UL94V-0

Contacts: Brass, Gold Plating

Shell: Steel, Nickel Plating

Electrical Characteristics:

Current Rating: 3 AMP

Insulator Resistance: 1000MΩ Min. at DC 500V

Withstanding Voltage: 500V AC (rms) for 1 minute

Contact Resistance: 25mΩ Max. Initial

Operating Temperature: -55°C ~ +105°C

Order Information

RE - C - 615 - 09 - M - X

Slim D-SUB Connector,
2 Row R/A Through Hole

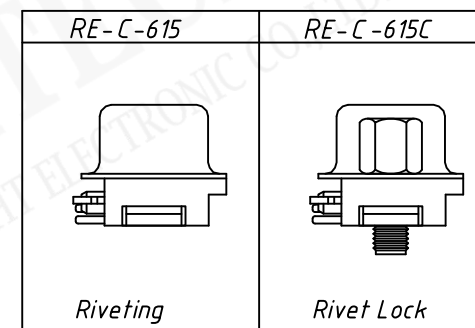
Number of Contacts: 09- 9Pin

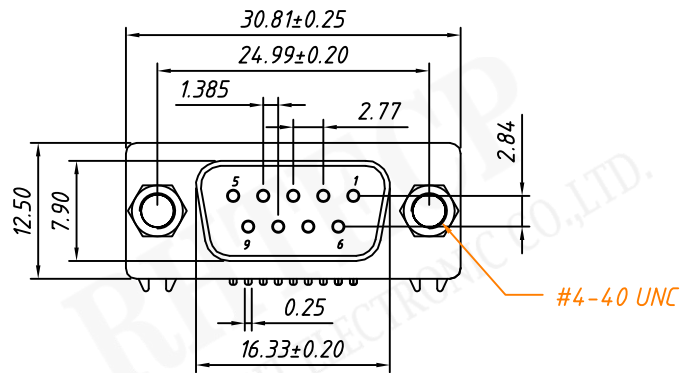
Connector type: M-Male

Housing Color: B-Black

L-Blue

E-Green





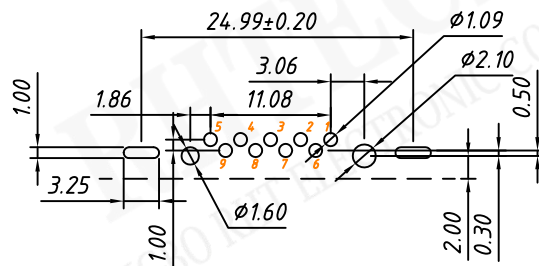
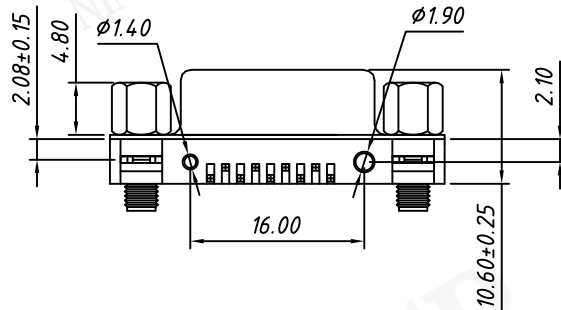
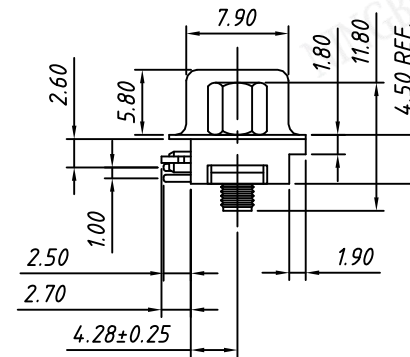
Material:
Housing: PBT+30% Glass filled ,UL94V-0
Contacts: Brass ,Gold Plating
Shell: Steel, Nickel Plating

Electrical Characteristics:
Current Rating: 3 AMP
Insulator Resistance: 1000MΩ Min. at DC 500V
Withstanding Voltage: 500V AC (rms) for 1 minute
Contact Resistance: 25mΩ Max. Initial
Operating Temperature: -55°C ~ +105°C

Order Information

RE - C - 615 - 09 - F - X

Slim D-SUB Connector,
2 Row R/A Through Hole
Number of Contacts: 09- 9Pin
Connector type: F-Female
Housing Color: B-Black
L-Blue
E-Green



RECOMMENDED PCB LAYOUT
TOLERANCE:±0.05mm

