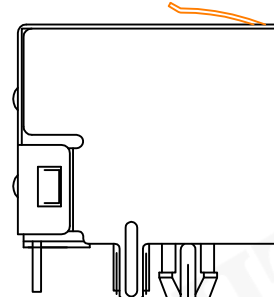


With Shield



TOP EMI Shield

Material:
 Housing: PBT+Glass Filled Polyester
 Flammability Rating : UL 94V-0
 Contacts: Phosphor Bronze $\phi 0.46\text{mm}$
 Plating: Gold Plating
 Shield: Brass, Tin Plating

Electrical:
 Voltage Rating: 125VAC
 Current Rating: 1.5A
 Contact Resistance: $30\text{m}\Omega$ Max.
 Insulation Resistance: $500\text{M}\Omega$ Min.
 Dielectric Strength: 1000VAC Rms
 50Hz, 1 Min.
 Durability: 600 cycles Min.
 Operation Temperature: $-40^{\circ}\text{C} \sim +85^{\circ}\text{C}$

Order Information

RE - C - 108-8P8C - 1x1 - X - G/Y-0-XX

Contacts: 8P8C

Shield Code:

- 1-with Shield
- 2-with EMI Shield
- 3-TOP EMI Shield

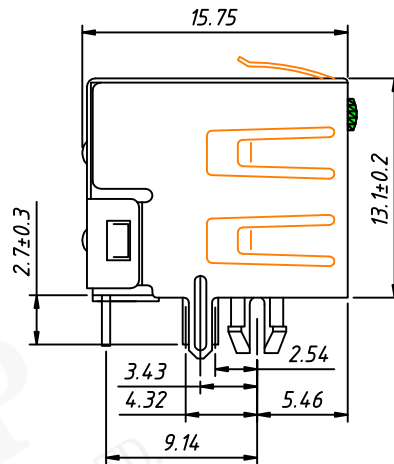
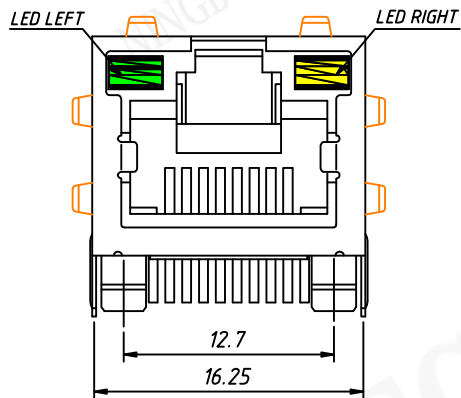
LED Code: LEFT/RIGHT

G/Y-Green/Yellow

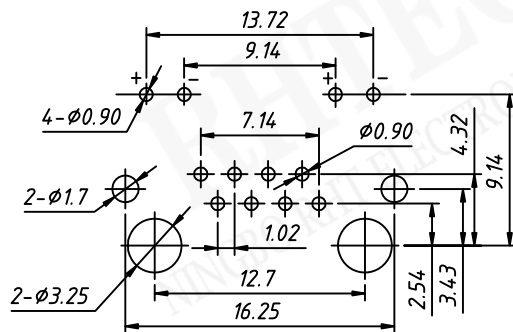
Y/G-Yellow/Green

Plating Code:

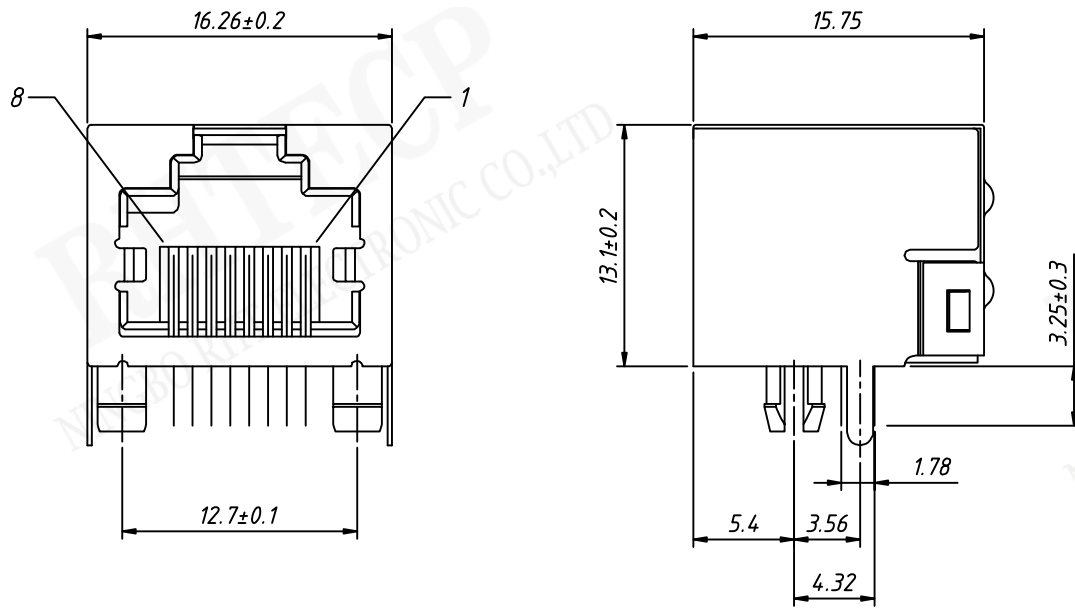
- 01-Fu" Gold Plating
- 02-3u" Gold Plating
- 03-6u" Gold Plating
- 04-15u" Gold Plating
- 05-30u" Gold Plating



With EMI Shield



PCB Layout

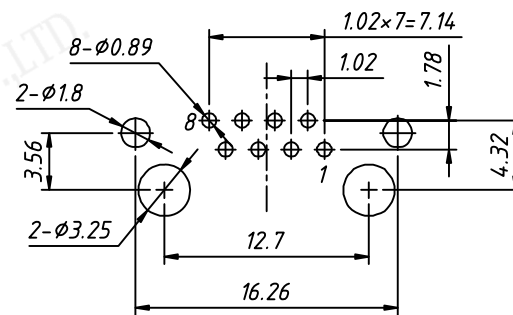
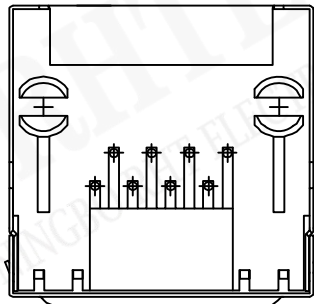


Material:

- 1.Housing:PBT,PA66,PA46, UL94V-0
- 2.Contact:Phosphor Bronze $\phi 0.46\text{mm}$
- 3.Shield:0.20mm Thickness Copper Alloy,Nickel Plated
- 4.Plating: Gold plating over nickel.

Electrical:

- 1.Current Rating:1.5A
- 2.Voltage Rating:125VAC
- 3.Contact Resistance:30M Ω Max.
- 4 Insulation Resistance:500M Ω Min @500VDC
- 5.Withstanding Voltage:1000VAC 50Hz or 60Hz 1min
- 6.Durability:750 cycles Min
- 7.Operation:-40°C ~ +85°C



PC Board Layout

Order Information

RE - C - 108 - 8P8C - 1x1 - 1 - 0 - 0 - 01

- Point NO. ————— Gold Thickness
- 8P8C Point ————— 01-Fu"
- Ports ————— 02-3u"
- 1x1-1 Ports ————— 03-6u"
- Shielded ————— 04-15u"
- 1-With Shielded ————— 05-30u"
- LED ————— 0-Without LED