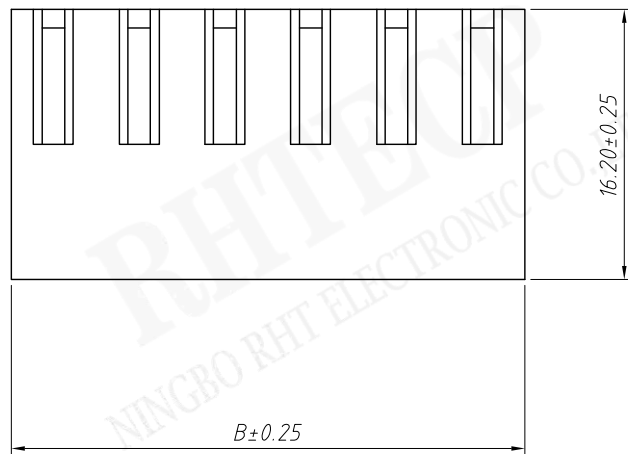


Pin	Dimensions(mm)	
	A	B
02	5.08	10.08
03	10.16	15.16
04	15.24	20.24
05	20.32	25.32
06	25.40	30.40
07	30.48	35.48
08	35.56	40.56
09	40.64	45.64
10	45.72	50.72
11	50.80	55.80
12	55.88	60.88
13	60.96	65.96
14	66.04	71.04
15	71.12	76.12
16	76.20	81.20
17	81.28	86.28
18	86.36	91.36
19	91.44	96.44
20	96.52	101.52

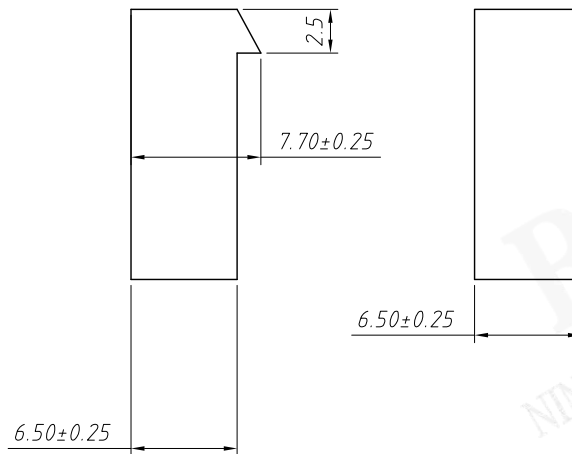
Material:
Housing:PA66,UL 94 V-2,Natural

Electrical Characteristics:
Rated Current:7.0AMP
Voltage rating:250V AC,DC
Temperature range:-25°C ~ + 85°C
Insulator Resistance:1000MΩ Min
Withstand Voltage:1500V AC/DC
Contact Resistance:10mΩ Max



With Buckle

Without Buckle



Order Information:

RE - C - 5.08 - XX - H

Pitch:5.08mm

XX-No.of
02~20 Pins

Type:

H-Hosing T-Terminal

S-Straight male pin

R-Right angle male pin



NINGBO RHT ELECTRONIC CO.,LTD

UNITS:mm

SHEET SIZE:A4

SCALE:---

>0~3

>3~18

>18~50

>50~120

RE - C - 5.08 - XX - H

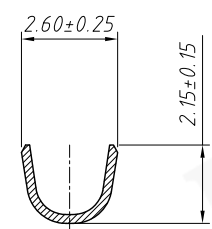
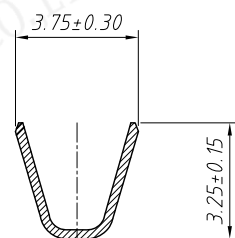
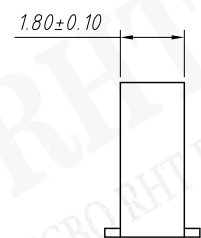
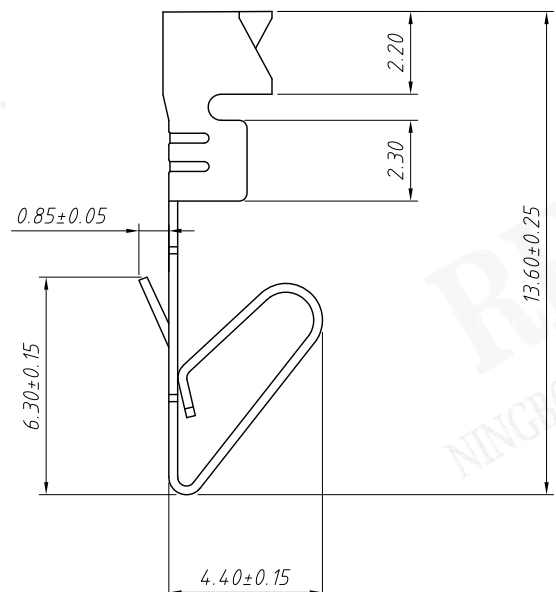
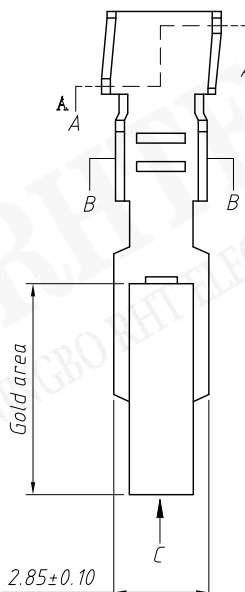
±0.12

±0.15

±0.3

±0.5

CONNECTORS



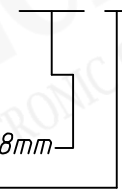
Material:
 Terminal: Phosphor Bronze
 Plating: 80~120u" Tin plated over
 30u"/Min. Nickel plated.
 Applicable wires: AWG #18~#24
 Insulation O.D.: 2.80mm Max
 Qty/reel: 5000 PCS

Electrical Characteristics:
 Rated Current: 7.0AMP
 Voltage rating: 250V AC, DC
 Temperature range: -25°C ~ +85°C
 Insulator Resistance: 1000MΩ Min
 Withstand Voltage: 1500V AC/DC
 Contact Resistance: 10mΩ Max

Order Information:

RE-C-5.08-T

Pitch: 5.08mm

Type: 
 H-Hosing T-Terminal
 S-Straight male pin
 R-Right angle male pin

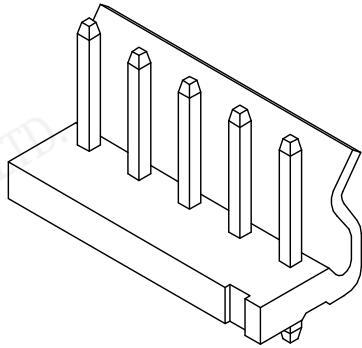
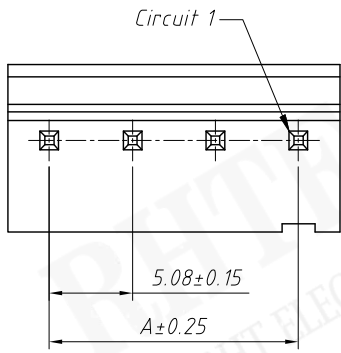


NINGBO RHT ELECTRONIC CO.,LTD

UNITS:mm	SHEET SIZE:A4		SCALE:---
>0~3	>3~18	>18~50	>50~120
±0.12	±0.15	±0.3	±0.5

RE-C-5.08-T

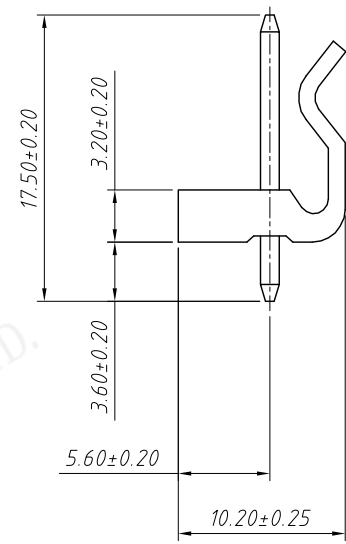
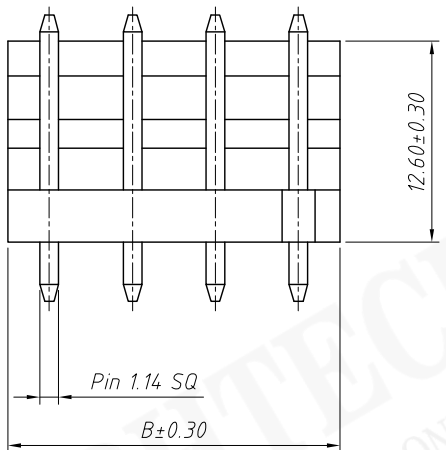
CONNECTORS



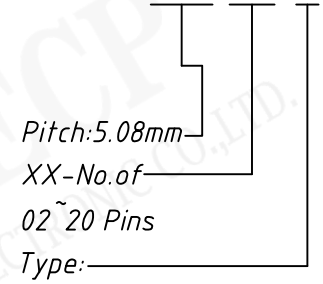
Pin	Dimensions(mm)	
	A	B
02	5.08	10.16
03	10.16	15.24
04	15.24	20.32
05	20.32	25.40
06	25.40	30.48
07	30.48	35.56
08	35.56	40.64
09	40.64	45.72
10	45.72	50.80
11	50.80	55.88
12	55.88	60.96
13	60.96	66.04
14	66.04	71.12
15	71.12	76.20
16	76.20	81.28
17	81.28	86.36
18	86.36	91.44
19	91.44	96.52
20	96.52	101.60

Material:
 Housing:PA66,UL 94V-2,Natural
 Contact:Brass
 Plating: Tin Plated over 30u" Min. Nickel

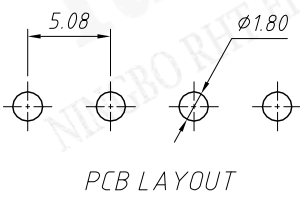
Electrical Characteristics:
 Rated Current:7.0AMP
 Voltage rating:250V AC,DC
 Temperature range:-25°C ~ + 85°C
 Insulator Resistance:1000MΩ Min
 Withstand Voltage:1500V AC/DC
 Contact Resistance:10mΩ Max



Order Information:
 RE - C - 5.08 - XX - S



Pitch:5.08mm
 XX-No.of
 02 ~ 20 Pins
 Type: _____
 H-Hosing T-Terminal
 S-Straight male pin
 R-Right angle male pin

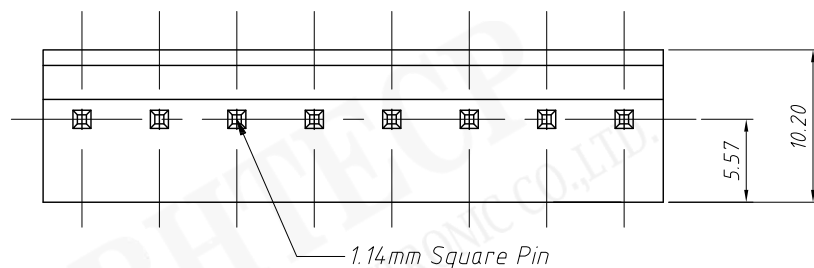


NINGBO RHT ELECTRONIC CO.,LTD

UNITS:mm	SHEET SIZE:A4	SCALE:---	
>0~3	>3~18	>18~50	>50~120
±0.12	±0.15	±0.3	±0.5

RE - C - 5.08 - XX - S

CONNECTORS



Pin	Dimensions(mm)	
	A	B
02	5.08	10.22
03	10.16	15.30
04	15.24	20.38
05	20.32	25.46
06	25.40	30.54
07	30.48	35.62
08	35.56	40.70
09	40.64	45.78
10	45.72	50.86

Material:

Housing: PA66, UL 94 V-2, Natural

Contact: Brass 1.14mm Square wire pins

Plating: Tin Plated over Gold plated

Electrical Characteristics:

Rated Current: 7.0AMP

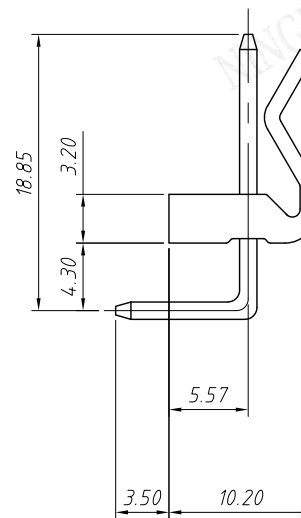
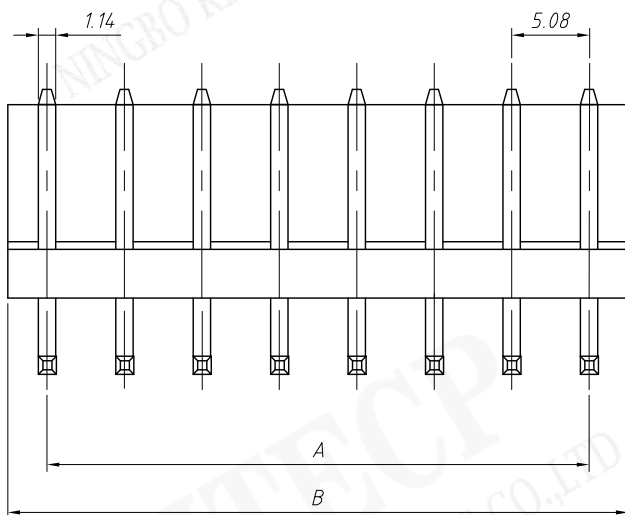
Voltage rating: 250V AC, DC

Temperature range: -25°C ~ +85°C

Insulator Resistance: 1000MΩ Min

Withstand Voltage: 1000V AC/DC

Contact Resistance: 20mΩ Max



Order Information:

RE-C-5.08-XX-R

Pitch: 5.08mm

XX-No. of

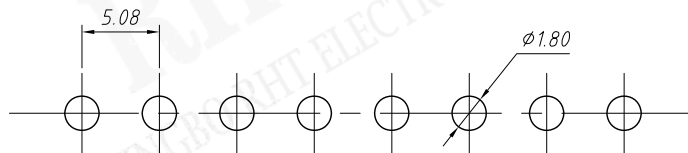
02 ~ 20 Pins

Type:

H-Hosing T-Terminal

S-Straight male pin

R-Right angle male pin



Recommended PCB Board Hole Dim.



NINGBO RHT ELECTRONIC CO.,LTD

UNITS:mm

SHEET SIZE:A4

SCALE:---

>0~3

>3~18

>18~50

>50~120

±0.12

±0.15

±0.3

±0.5

RE-C-5.08-XX-R

CONNECTORS