

Material:
 Standard:PBT
 Contact:Phosphor Bronze
 Insulator:Polyester,UL 94 V-0

Electrical Characteristics:
 Rated Current: 1.0AMP
 Current Voltage: 30V RMS Max
 Contact Resistance: 20mΩ Max
 Withstand Voltage: 500V AC/DC
 Insulator Resistance: 500MΩ Min

Mechanical
 Operating Temperature: -40°C ~ +105°C

Order Information:

RE - C - 203A - 0 - B - 4.5

Pin Header Series

203A:2.54mm

Housing Type:

0-Open

Color: B- Black R-Red

L-Blue G-Green

Height:

Open Type:4.5mm

RHTECP NINGBO RHT ELECTRONIC CO.,LTD

UNITS:mm

SHEET SIZE:A4

SCALE:---

RE-C-203A-0-B-4.5

>0~3

>3~18

>18~50

>50~120

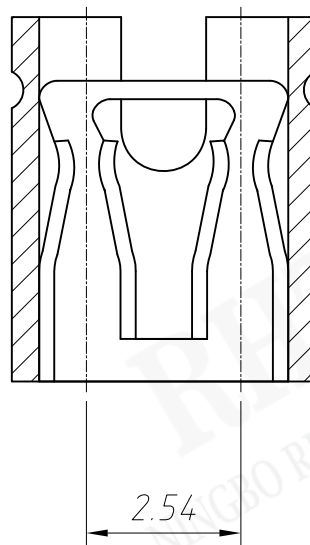
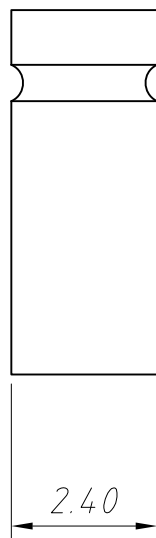
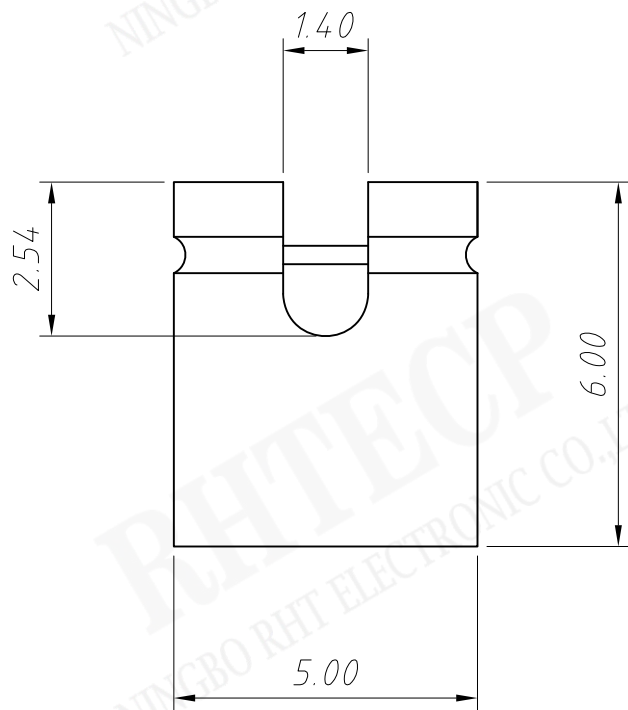
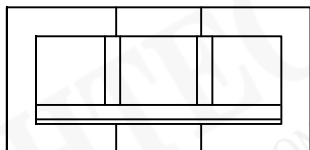
±0.12

±0.15

±0.3

±0.5

CONNECTORS



Material:
Standard:PBT
Contact:Brass
Insulator:Polyester,UL94V-0

Electrical Characteristics:
Rated Current: 3.0AMP
Contact Resistance: 20mΩ Max
Withstand Voltage: 1000V AC/DC
Insulator Resistance: 5000MΩ Min

Mechanical
Operating Temperature: -55°C ~ +105°C

Order Information:

RE - C - 203A - 0 - B - 6.0

Pin Header Series

203A:2.54mm

Housing Type:

0-Open

Color: B- Black R-Red

L-Blue G-Green

Height:

Open Type:6.0mm

RHTECP NINGBO RHT ELECTRONIC CO.,LTD

UNITS:mm

SHEET SIZE:A4

SCALE:---

RE-C-203A-0-B-6.0

>0~3

>3~18

>18~50

>50~120

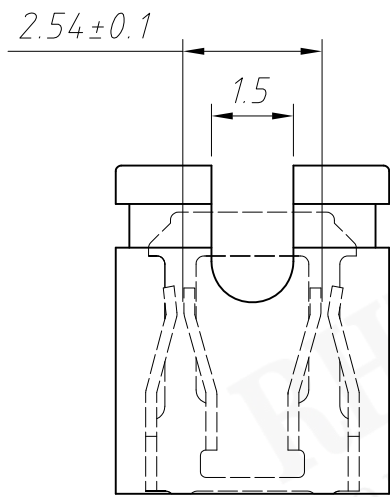
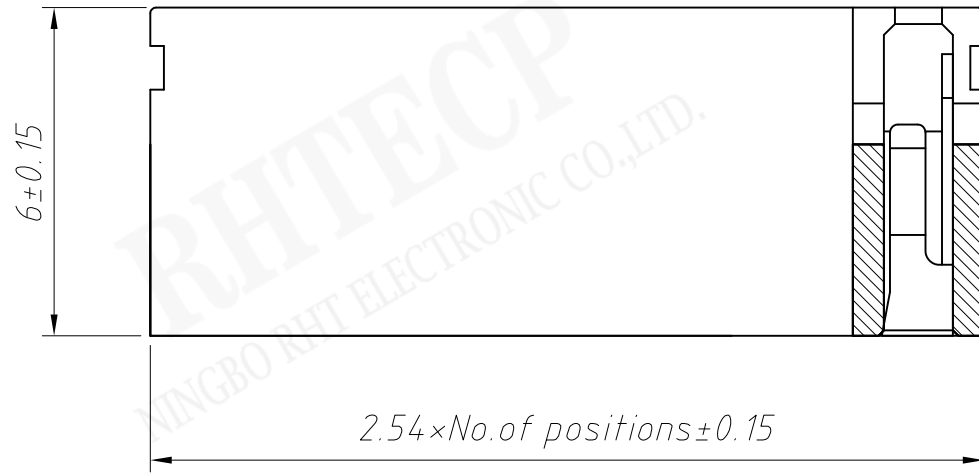
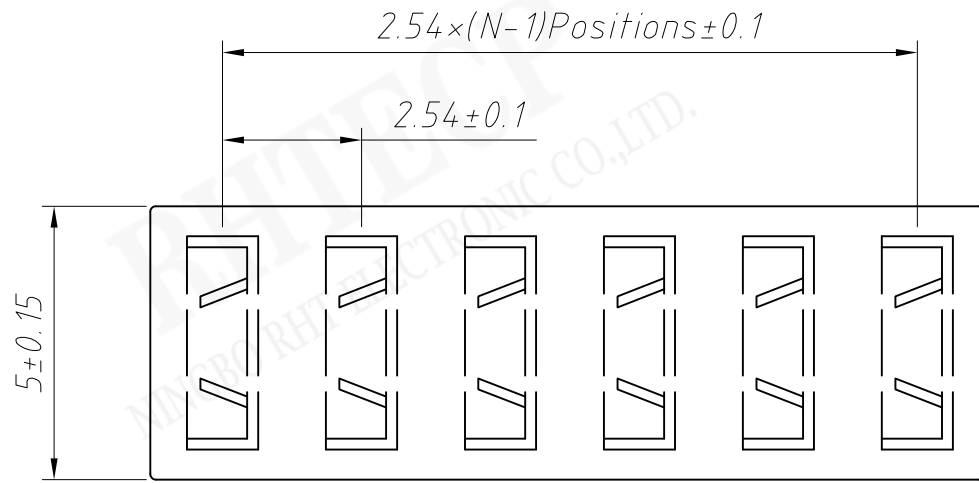
±0.12

±0.15

±0.3

±0.5

CONNECTORS



Material:
 Standard:PBT
 Contact:Brass
 Contact Plating: Au Over Ni
 Insulator: Polyester, UL 94 V-0

Electrical Characteristics:
 Rated Current: 3.0AMP
 Contact Resistance: 20mΩ Max
 Withstand Voltage: 1000V AC/DC
 Insulator Resistance: 1000MΩ Min

Mechanical
 Operating Temperature: -40°C ~ +105°C
 Max.Processing Temp: 180°C for 30-60 seconds
 (200°C for 10 seconds)

Order Information:

RE - C - 203A - 0 - B - 6.0 - 6P

Pin Header Series

203A: 2.54mm

Housing Type:

0-Open

Color: B- Black R-Red

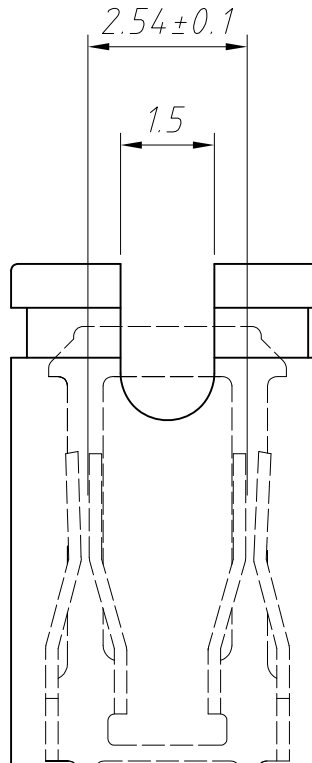
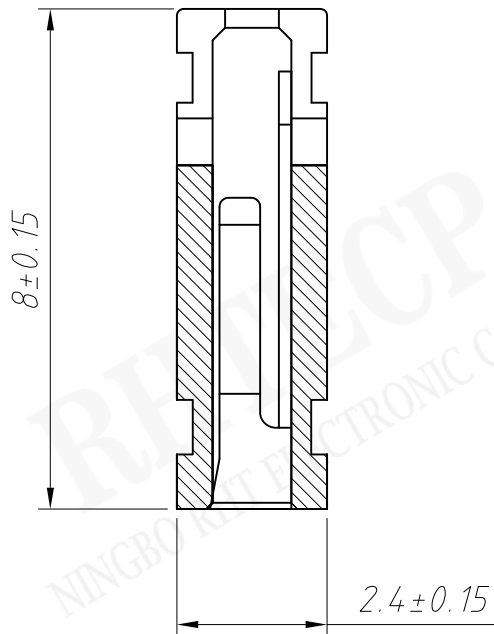
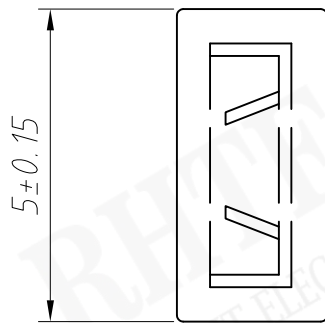
L-Blue G-Green

Height:

Open Type: 6.0mm

Pins: 02-10 P

UNITS:mm	SHEET SIZE:A4		SCALE:---
>0~3	>3~18	>18~50	>50~120
±0.12	±0.15	±0.3	±0.5



Material:
 Standard:PBT
 Contact:Brass
 Contact Plating: Au Over Ni
 Insulator: Polyester, UL94V-0

Electrical Characteristics:
 Rated Current: 3.0AMP
 Contact Resistance: 20mΩ Max
 Withstand Voltage: 1000V AC/DC
 Insulator Resistance: 1000MΩ Min

Mechanical
 Operating Temperature: -40°C ~ +105°C
 Max.Processing Temp: 180°C for 30-60 seconds
 (200°C for 10 seconds)

Order Information:

RE - C - 203A - 0 - B - 8.0

Pin Header Series

203A: 2.54mm

Housing Type:

0-Open

Color: B- Black R-Red

L-Blue G-Green

Height:

Open Type: 8.0mm

RHTECP NINGBO RHT ELECTRONIC CO.,LTD

UNITS:mm

SHEET SIZE:A4

SCALE:---

RE-C-203A-0-B-8.0

>0~3

>3~18

>18~50

>50~120

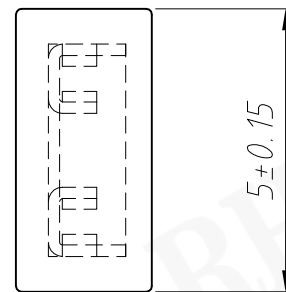
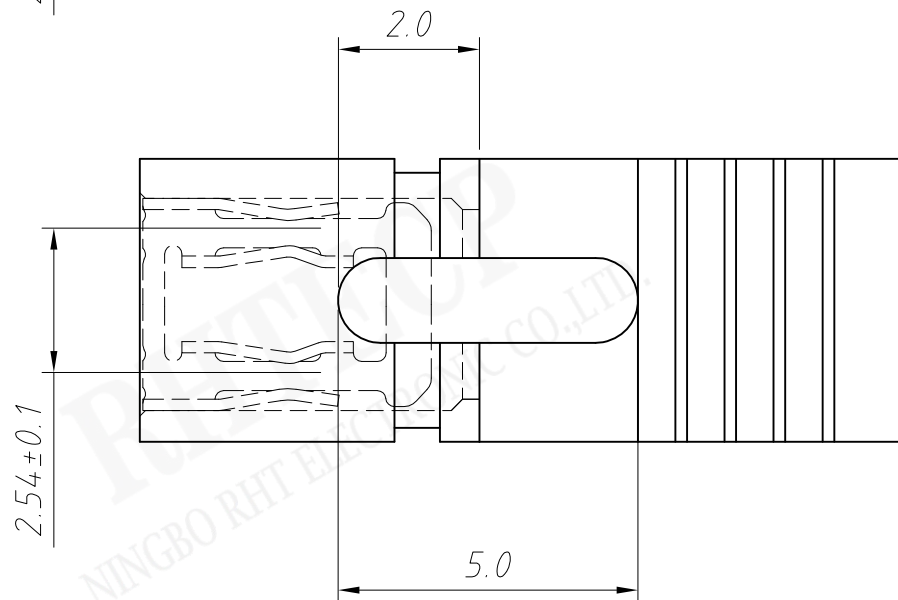
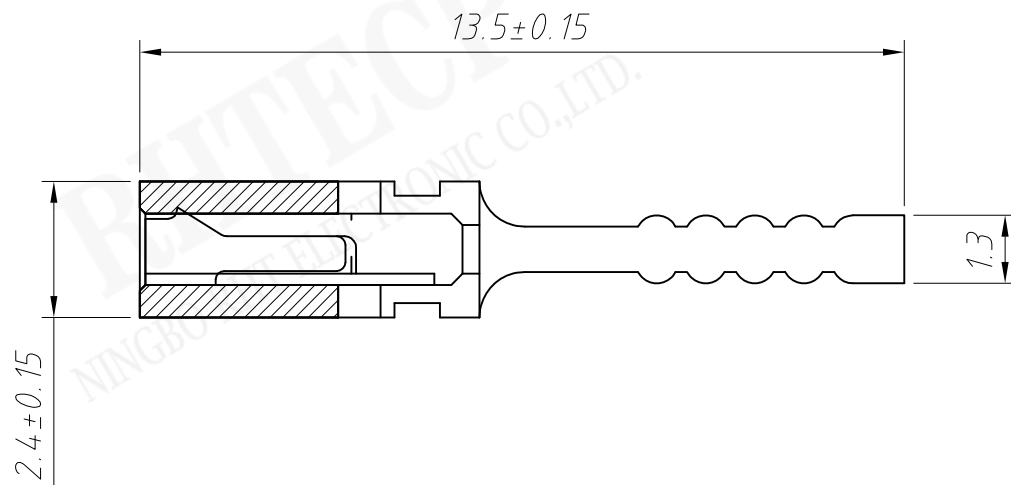
±0.12

±0.15

±0.3

±0.5

CONNECTORS



Material:
 Standard:PA66
 Contact:Brass
 Contact Plating:Au Over Ni
 Insulator:Polyester,UL94V-0

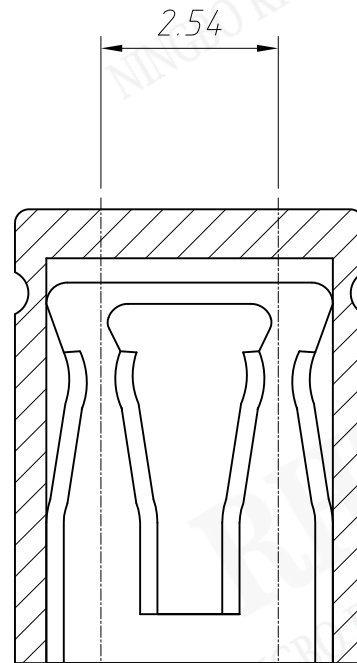
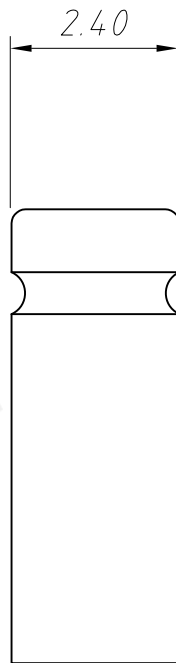
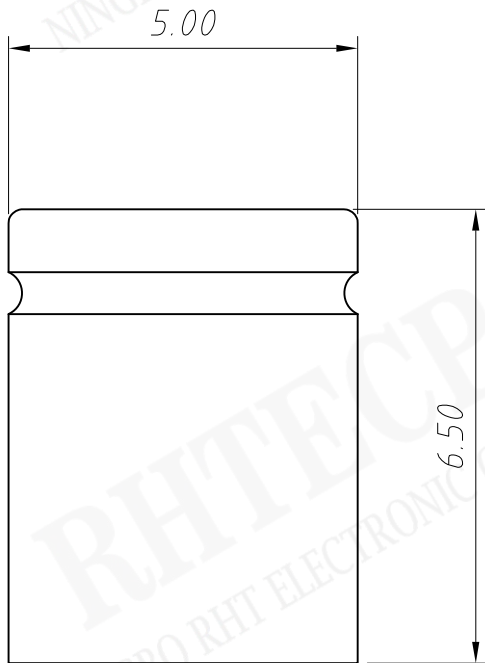
Electrical Characteristics:
 Rated Current: 3.0AMP
 Contact Resistance: 20mΩ Max
 Withstand Voltage: 1000V AC/DC
 Insulator Resistance: 1000MΩ Min

Mechanical
 Operating Temperature: -40°C ~ +105°C
 Max.Processing Temp:230°C for 30-60 seconds
 (260°C for 10 seconds)

Order Information:
 RE - C - 203A - 0 - B - 13.5

Pin Header Series
 203A:2.54mm
 Housing Type:
 0-Open
 Color: B- Black R-Red
 L-Blue G-Green
 Height:
 Open Type:13.5mm

UNITS:mm	SHEET SIZE:A4		SCALE:---
>0~3	>3~18	>18~50	>50~120
±0.12	±0.15	±0.3	±0.5



Material:
Standard:PBT
Contact:Brass
Insulator:Polyester,UL94V-0

Electrical Characteristics:
Rated Current: 3.0AMP
Contact Resistance: 20mΩ Max
Withstand Voltage: 1000V AC/DC
Insulator Resistance: 5000MΩ Min

Mechanical
Operating Temperature: -55°C ~ +105°C

Order Information:

RE - C - 203A - C - B - 6.5

Pin Header Series

203A:2.54mm

Housing Type:

C-Close

Color: B- Black R-Red

L-Blue G-Green

Height:

Close Type:6.5mm

RHTECP NINGBO RHT ELECTRONIC CO.,LTD

UNITS:mm

SHEET SIZE:A4

SCALE:---

RE-C-203A-C-B-6.5

>0~3

>3~18

>18~50

>50~120

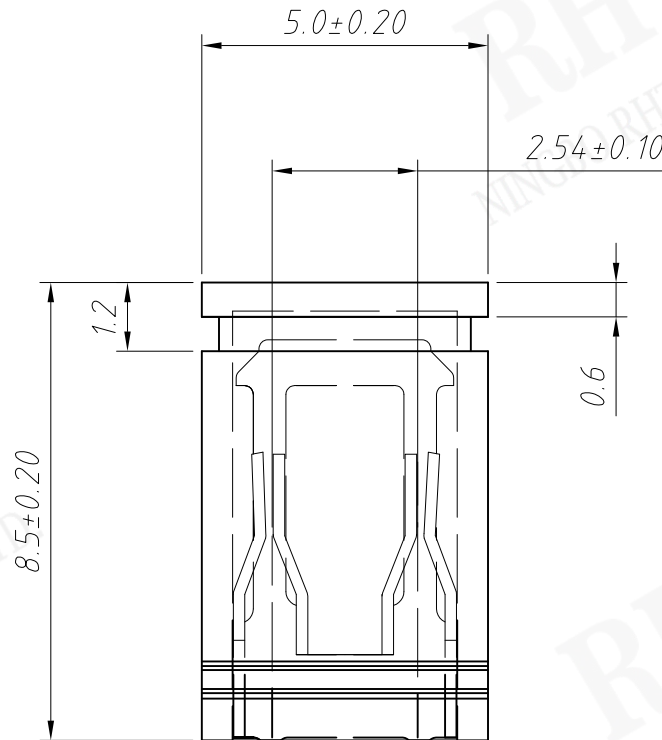
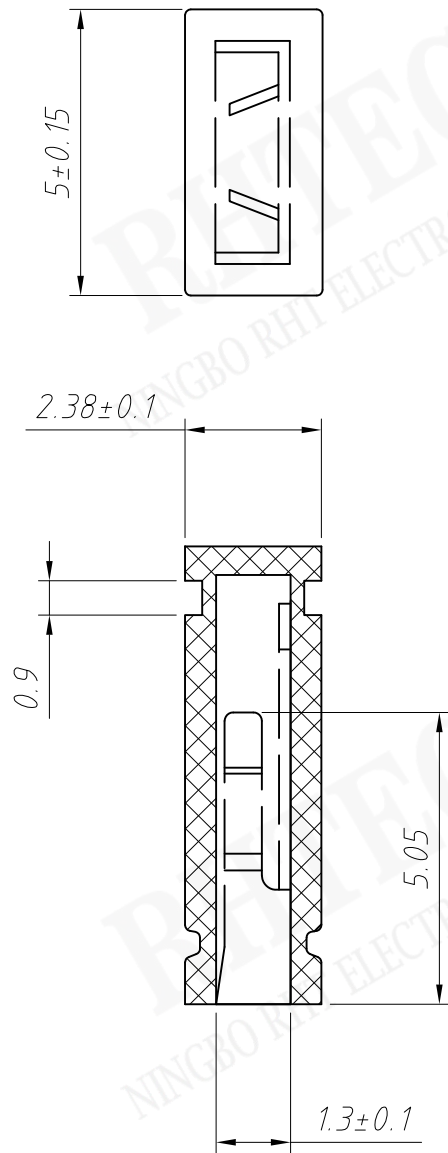
±0.12

±0.15

±0.3

±0.5

CONNECTORS



Material:
 Standard:PBT
 Contact:Brass
 Contact Plating:Au Over Ni
 Insulator:Polyester,UL94V-0

Electrical Characteristics:
 Rated Current: 3.0AMP
 Contact Resistance: 20mΩ Max
 Withstand Voltage: 1000V AC/DC
 Insulator Resistance: 1000MΩ Min

Mechanical
 Operating Temperature: -40°C ~ +105°C
 Max.Processing Temp:180°C for 30-60 seconds
 (200°C for 10 seconds)

Order Information:

RE - C - 203A - C - B - 8.5

Pin Header Series

203A:2.54mm

Housing Type:

C-Close

Color: B- Black R-Red

L-Blue G-Green

Height:

Close Type:8.5mm


 NINGBO RHT ELECTRONIC CO.,LTD

UNITS:mm

SHEET SIZE:A4

SCALE:---

RE-C-203A-C-B-8.5

>0~3

>3~18

>18~50

>50~120

±0.12

±0.15

±0.3

±0.5

CONNECTORS