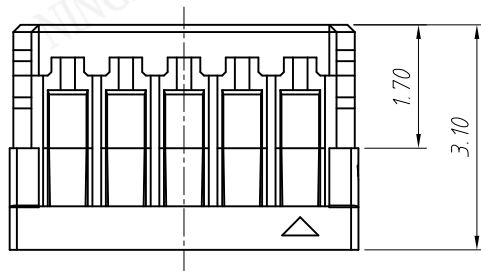


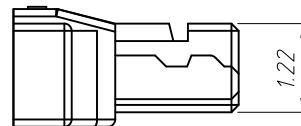
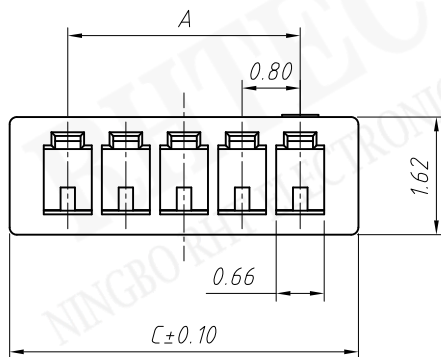
3D View



Material:
Housing: Nylon or LCP, UL 94V-0

Electrical Characteristics:
Current rating: 0.5A AC, DC
Voltage rating: 30V AC, DC
Temperature range: -35°C ~ +85°C
Insulation resistance: 100MΩ/Min.
Withstanding voltage: 200V AC/minute
Contact resistance: 20mΩ/Max.

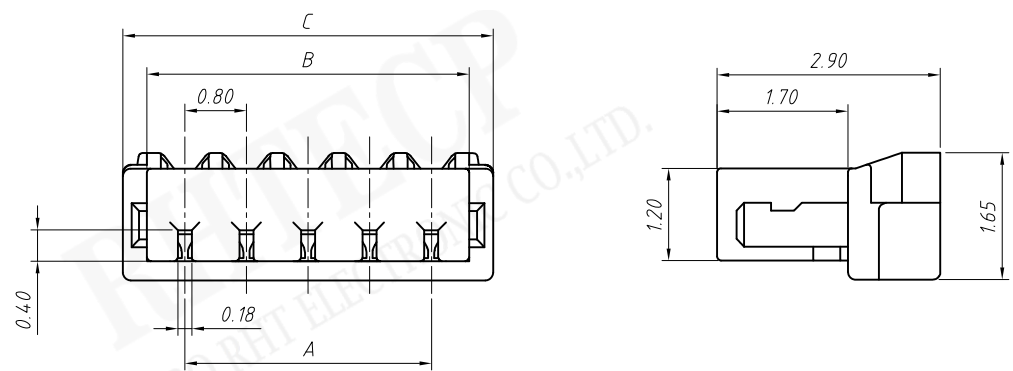
| Circuit | Dimensions(mm) | | |
|---------|----------------|-------|-------|
| | A | B | C |
| 02 | 0.80 | 1.80 | 2.40 |
| 03 | 1.60 | 2.60 | 3.20 |
| 04 | 2.40 | 3.40 | 4.00 |
| 05 | 3.20 | 4.20 | 4.80 |
| 06 | 4.00 | 5.00 | 5.60 |
| 07 | 4.80 | 5.80 | 6.40 |
| 08 | 5.60 | 6.60 | 7.20 |
| 09 | 6.40 | 7.40 | 8.00 |
| 10 | 7.20 | 8.20 | 8.80 |
| 11 | 8.00 | 9.00 | 9.60 |
| 12 | 8.80 | 9.80 | 10.40 |
| 13 | 9.60 | 10.60 | 11.20 |
| 14 | 10.40 | 11.40 | 12.00 |
| 15 | 11.20 | 12.20 | 12.80 |
| 16 | 12.00 | 13.00 | 13.60 |
| 20 | 15.20 | 16.20 | 16.80 |



Order Information:

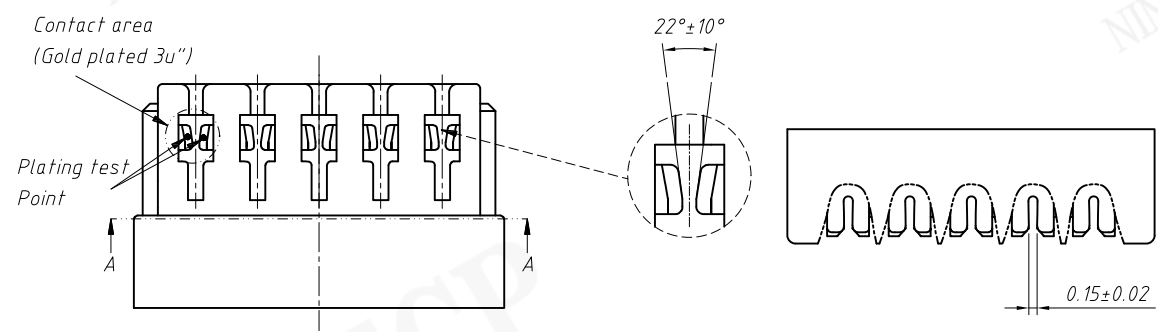
RE-C-XL1-0.80-XX-H

0.80mm Pitch
XX-No. of 2~20pin
Type: H-Housing T-Terminal
VM-Vertical SMT Pin
RM-Horizontal SMT Pin

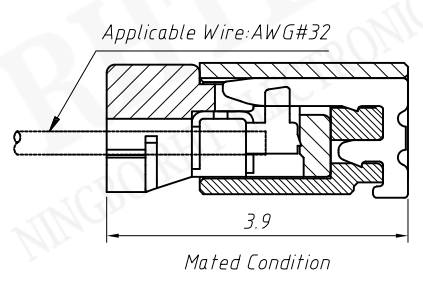


Material:
 Housing: Nylon66,UL 94V-0
 Contact : Phosphor Bronze
 Plating : Plated Tin or Gold Flash Lead over Nickel
 Applicable Wire Range:AWG#32

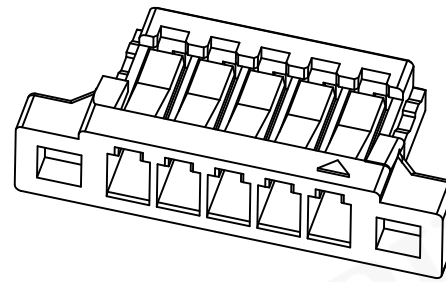
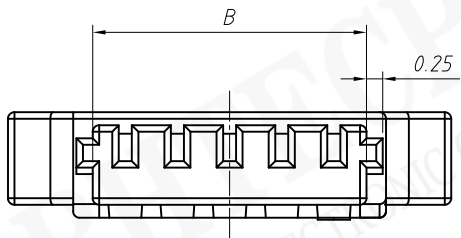
Electrical Characteristics:
 Current rating:0.5A AC,DC
 Voltage rating:30V AC,DC
 Temperature range:-35°C ~ +85°C
 Insulation resistance:100MΩ/Min.
 Withstanding voltage:200V AC/minute
 Contact resistance:20mΩ/Max.



| Circuit | Dimensions(mm) | | |
|---------|----------------|-------|-------|
| | A | B | C |
| 02 | 0.80 | 1.78 | 2.40 |
| 03 | 1.60 | 2.58 | 3.20 |
| 04 | 2.40 | 3.38 | 4.00 |
| 05 | 3.20 | 4.18 | 4.80 |
| 06 | 4.00 | 4.98 | 5.60 |
| 07 | 4.80 | 5.78 | 6.40 |
| 08 | 5.60 | 6.58 | 7.20 |
| 09 | 6.40 | 7.38 | 8.00 |
| 10 | 7.20 | 8.18 | 8.80 |
| 11 | 8.00 | 8.98 | 9.60 |
| 12 | 8.80 | 9.78 | 10.40 |
| 13 | 9.60 | 10.58 | 11.20 |
| 14 | 10.40 | 11.38 | 12.00 |
| 15 | 11.20 | 12.18 | 12.80 |
| 16 | 12.00 | 12.98 | 13.60 |
| 17 | 12.80 | 13.78 | 14.40 |
| 18 | 13.60 | 14.58 | 15.20 |
| 19 | 14.40 | 15.38 | 16.00 |
| 20 | 15.20 | 16.18 | 16.80 |

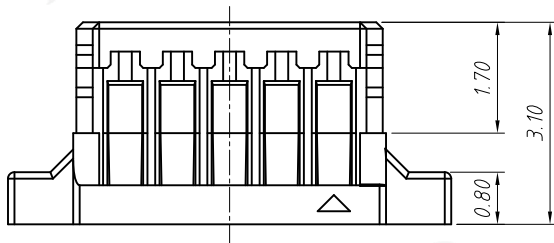


Order Information:
 RE - C-XL1-0.80-XX-H1
 0.80mm Pitch
 XX-No.of 2~20pin
 Type:H1-Hosing T-Terminal
 VM-Vertical SMT Pin
 RM-Horizontal SMT Pin



3D View

| Circuit | Dimensions(mm) | | |
|---------|----------------|-------|-------|
| | A | B | C |
| 02 | 0.80 | 1.80 | 4.40 |
| 03 | 1.60 | 2.60 | 5.20 |
| 04 | 2.40 | 3.40 | 6.00 |
| 05 | 3.20 | 4.20 | 6.80 |
| 06 | 4.00 | 5.00 | 7.60 |
| 07 | 4.80 | 5.80 | 8.40 |
| 08 | 5.60 | 6.60 | 9.20 |
| 09 | 6.40 | 7.40 | 10.00 |
| 10 | 7.20 | 8.20 | 10.80 |
| 11 | 8.00 | 9.00 | 11.60 |
| 12 | 8.80 | 9.80 | 12.40 |
| 13 | 9.60 | 10.60 | 13.20 |
| 14 | 10.40 | 11.40 | 14.00 |
| 15 | 11.20 | 12.20 | 14.80 |
| 16 | 12.00 | 13.00 | 15.60 |
| 20 | 15.20 | 16.20 | 18.80 |

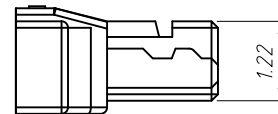
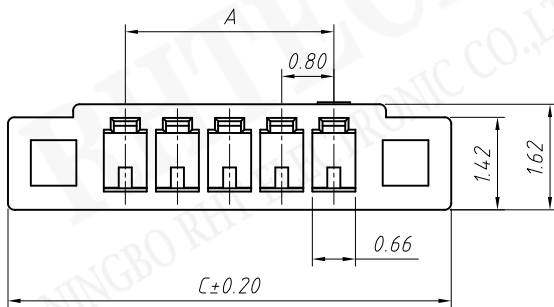


Material:
Housing: Nylon or LCP,UL 94V-0

Electrical Characteristics:
Current rating:0.5A AC,DC
Voltage rating:30V AC,DC
Temperature range:-35°C~+85°C
Insulation resistance:100MΩ/Min.
Withstanding voltage:200V AC/minute
Contact resistance:20mΩ/Max.

Order Information:

RE-C-XL1-0.80-XX-H2



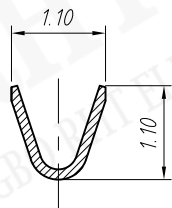
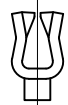
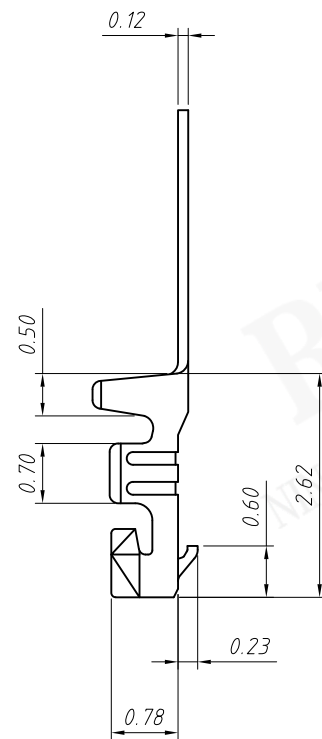
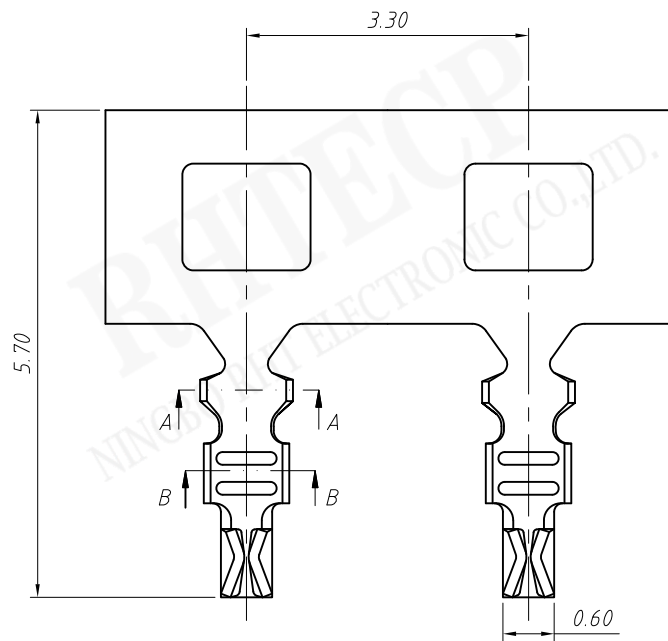
0.80mm Pitch

XX-No. of 2~20pin

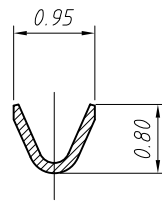
Type:H2-Hosing T-Terminal

VM-Vertical SMT Pin

RM-Horizontal SMT Pin



Section A-A



Section B-B

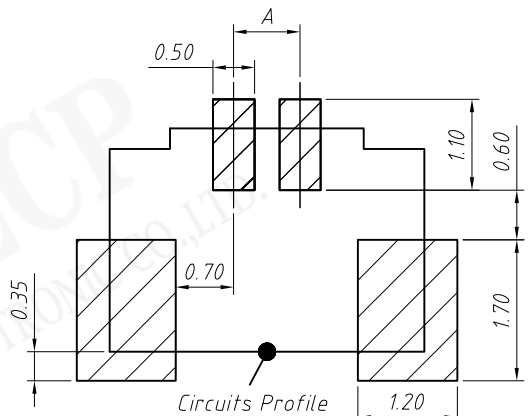
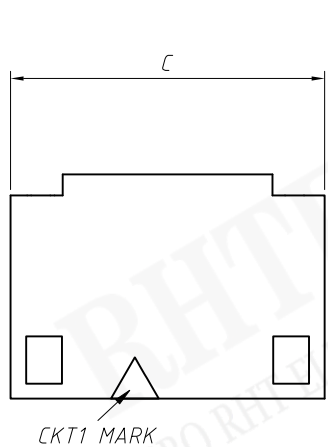
Order Information:
RE-C-XL1-0.80-T

0.80mm Pitch
Type: H-Hosing T-Terminal

| Circuit | Dimensions(mm) | | | |
|---------|----------------|-------|-------|-------|
| | A | B | C | D |
| 02 | 0.80 | 1.90 | 3.78 | 3.04 |
| 03 | 1.60 | 2.70 | 4.58 | 3.84 |
| 04 | 2.40 | 3.50 | 5.38 | 4.64 |
| 05 | 3.20 | 4.30 | 6.18 | 5.44 |
| 06 | 4.00 | 5.10 | 6.98 | 6.24 |
| 07 | 4.80 | 5.90 | 7.78 | 7.04 |
| 08 | 5.60 | 6.70 | 8.58 | 7.84 |
| 09 | 6.40 | 7.50 | 9.38 | 8.64 |
| 10 | 7.20 | 8.30 | 10.18 | 9.44 |
| 11 | 8.00 | 9.10 | 10.98 | 10.24 |
| 12 | 8.80 | 9.90 | 11.78 | 11.04 |
| 13 | 9.60 | 10.70 | 12.58 | 11.84 |
| 14 | 10.40 | 11.50 | 13.38 | 12.64 |
| 15 | 11.20 | 12.30 | 14.18 | 13.44 |
| 16 | 12.00 | 13.10 | 14.98 | 14.24 |
| 17 | 12.80 | 13.90 | 15.78 | 15.04 |
| 18 | 13.60 | 14.70 | 16.58 | 15.84 |
| 19 | 14.40 | 15.50 | 17.38 | 16.64 |
| 20 | 15.20 | 16.30 | 18.18 | 17.44 |

Material:
Terminal: Phosphor Bronze
Finish: Plated Tin or Gold Flash
Lead over Nickel
Applicable Wire Range: AWG#32

Electrical Characteristics:
Current rating: 1.5A AC,DC
Voltage rating: 50V AC,DC
Temperature range: -25°C ~ +85°C
Insulation resistance: 100MΩ/Min.
Withstanding voltage: 500V AC/minute
Contact resistance: 20mΩ/Max.

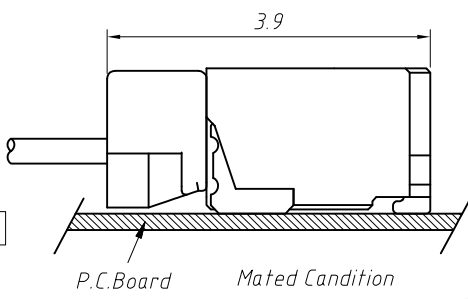
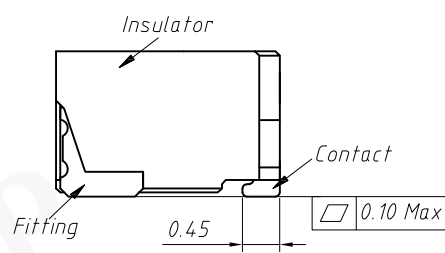
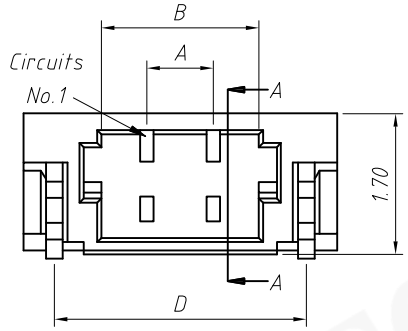


Recommended P.C.B Layout
Total tolerance ±0.05mm

Order Information:
RE-C-XL1-0.80-XX-RM

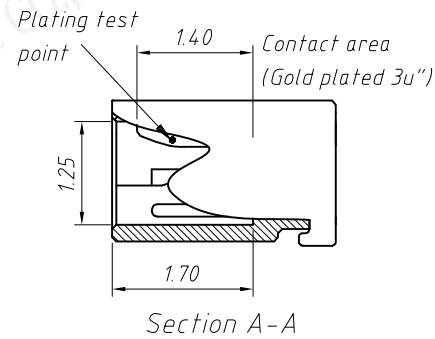
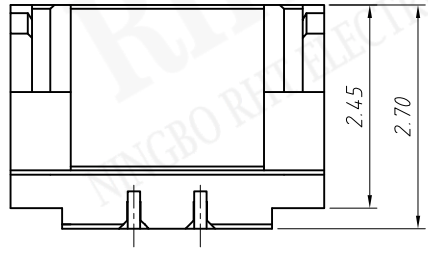
0.80mm Pitch
XX-No. of 2~20pin
Type:H-Hosing T-Terminal
VM-Vertical SMT Pin
RM-Horizontal SMT Pin

| Circuit | Dimensions(mm) | | | |
|---------|----------------|-------|-------|-------|
| | A | B | C | D |
| 02 | 0.80 | 1.90 | 3.78 | 3.04 |
| 03 | 1.60 | 2.70 | 4.58 | 3.84 |
| 04 | 2.40 | 3.50 | 5.38 | 4.64 |
| 05 | 3.20 | 4.30 | 6.18 | 5.44 |
| 06 | 4.00 | 5.10 | 6.98 | 6.24 |
| 07 | 4.80 | 5.90 | 7.78 | 7.04 |
| 08 | 5.60 | 6.70 | 8.58 | 7.84 |
| 09 | 6.40 | 7.50 | 9.38 | 8.64 |
| 10 | 7.20 | 8.30 | 10.18 | 9.44 |
| 11 | 8.00 | 9.10 | 10.98 | 10.24 |
| 12 | 8.80 | 9.90 | 11.78 | 11.04 |
| 13 | 9.60 | 10.70 | 12.58 | 11.84 |
| 14 | 10.40 | 11.50 | 13.38 | 12.64 |
| 15 | 11.20 | 12.30 | 14.18 | 13.44 |
| 16 | 12.00 | 13.10 | 14.98 | 14.24 |
| 17 | 12.80 | 13.90 | 15.78 | 15.04 |
| 18 | 13.60 | 14.70 | 16.58 | 15.84 |
| 19 | 14.40 | 15.50 | 17.38 | 16.64 |
| 20 | 15.20 | 16.30 | 18.18 | 17.44 |

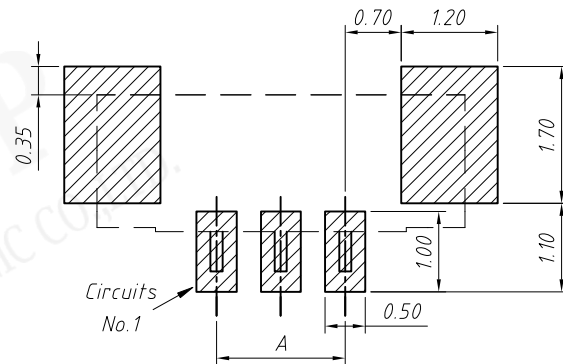
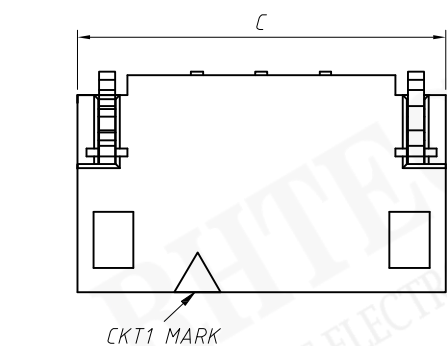


Material:
Housing: Nylon or LCP, UL 94V-0
Terminal: Phosphor Bronze
Finish: Plated Tin or Gold Flash
Lead over Nickel

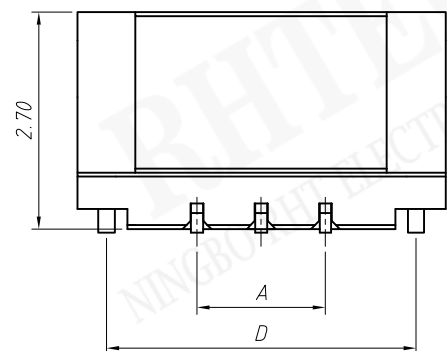
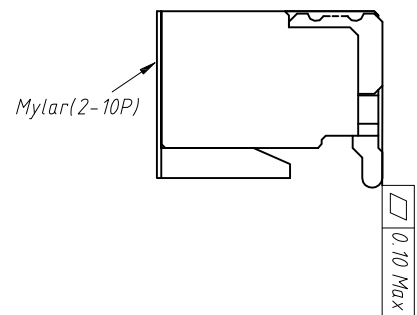
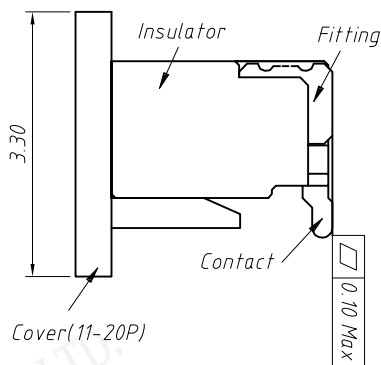
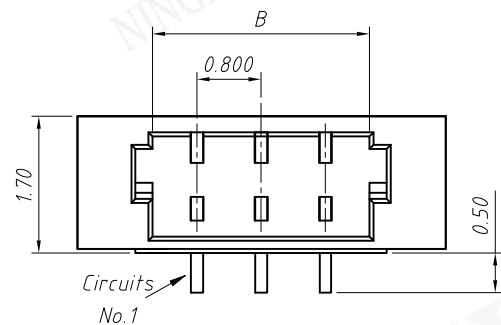
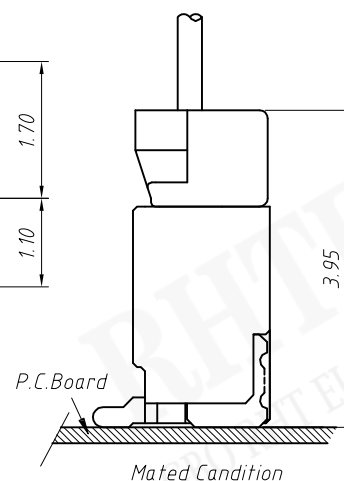
Electrical Characteristics:
Current rating: 0.5A AC, DC
Voltage rating: 30V AC, DC
Temperature range: -35°C ~ +85°C
Insulation resistance: 100MΩ/Min.
Withstanding voltage: 200V AC/minute
Contact resistance: 20mΩ/Max.



| UNITS:mm | SHEET SIZE:A4 | SCALE:--- | |
|----------|---------------|-----------|---------|
| >0~3 | >3~18 | >18~50 | >50~120 |
| ±0.12 | ±0.15 | ±0.3 | ±0.5 |



Recommended P.C.B Layout
Total tolerance $\pm 0.05\text{mm}$



Order Information:

RE-C-XL1-0.80-XX-VM

- 0.80mm Pitch
- XX-No. of 2~20pin
- Type:H-Hosing T-Terminal
- VM-Vertical SMT Pin
- RM-Horizontal SMT Pin

| Circuit | Dimensions(mm) | | | |
|---------|----------------|-------|-------|-------|
| | A | B | C | D |
| 02 | 0.80 | 1.90 | 3.78 | 3.04 |
| 03 | 1.60 | 2.70 | 4.58 | 3.84 |
| 04 | 2.40 | 3.50 | 5.38 | 4.64 |
| 05 | 3.20 | 4.30 | 6.18 | 5.44 |
| 06 | 4.00 | 5.10 | 6.98 | 6.24 |
| 07 | 4.80 | 5.90 | 7.78 | 7.04 |
| 08 | 5.60 | 6.70 | 8.58 | 7.84 |
| 09 | 6.40 | 7.50 | 9.38 | 8.64 |
| 10 | 7.20 | 8.30 | 10.18 | 9.44 |
| 11 | 8.00 | 9.10 | 10.98 | 10.24 |
| 12 | 8.80 | 9.90 | 11.78 | 11.04 |
| 13 | 9.60 | 10.70 | 12.58 | 11.84 |
| 14 | 10.40 | 11.50 | 13.38 | 12.64 |
| 15 | 11.20 | 12.30 | 14.18 | 13.44 |
| 16 | 12.00 | 13.10 | 14.98 | 14.24 |
| 17 | 12.80 | 13.90 | 15.78 | 15.04 |
| 18 | 13.60 | 14.70 | 16.58 | 15.84 |
| 19 | 14.40 | 15.50 | 17.38 | 16.64 |
| 20 | 15.20 | 16.30 | 18.18 | 17.44 |

Material:

- Housing: Nylon or LCP, UL 94V-0
- Terminal: Phosphor Bronze
- Finish: Plated Tin or Gold Flash
- Lead over Nickel

Electrical Characteristics:

- Current rating: 0.5A AC, DC
- Voltage rating: 30V AC, DC
- Temperature range: $-35^{\circ}\text{C} \sim +85^{\circ}\text{C}$
- Insulation resistance: $100\text{M}\Omega/\text{Min.}$
- Withstanding voltage: 200V AC/minute
- Contact resistance: $20\text{m}\Omega/\text{Max.}$