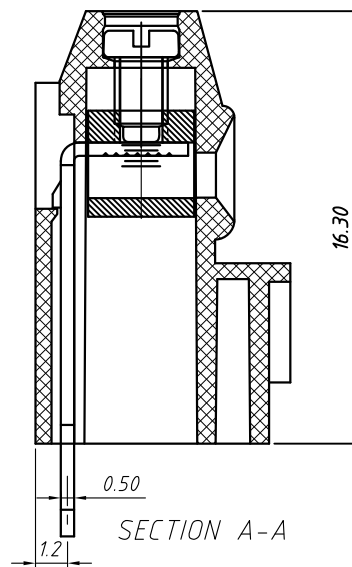
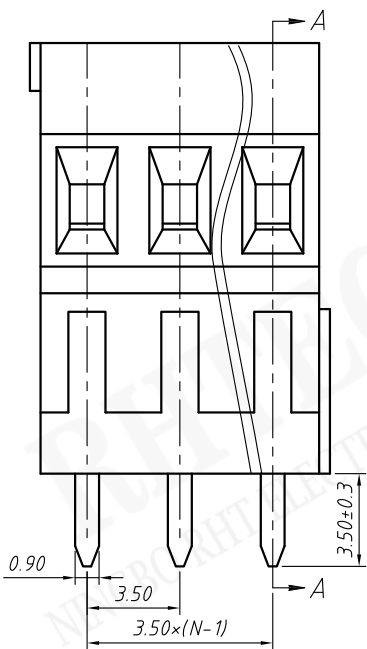


PCB LAYOUT



SECTION A-A

Material  
 Housing: PA66, UL94V-0  
 Clamp: Brass, Ni plated  
 Pin Header: Brass, Tin plated  
 Screw: M2 steel Zinc plated

Electrical  
 Rated voltage: 300V  
 Rated current: 10A  
 Contact Resistance: 20 m Ω  
 Insulation resistance: 500MΩ/DC500V  
 Withstand voltage: AC2000V / 1 min  
 Wire Range: 24 ~ 12AWG 2.5mm<sup>2</sup>

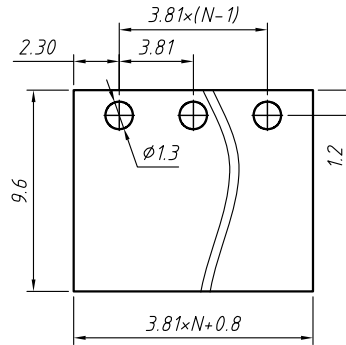
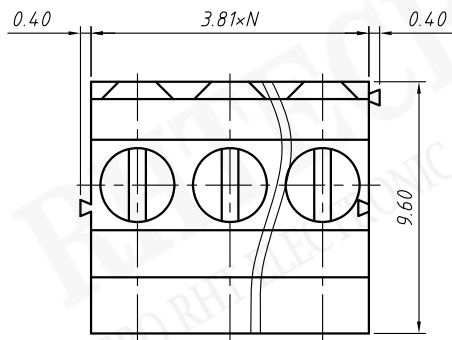
Mechanical  
 Temp. Range: -40 °C ~ + 105 °C  
 Strip length: 5 ~ 6mm  
 Torque: 0.2Nm (1.75Lb.in)

Order Information

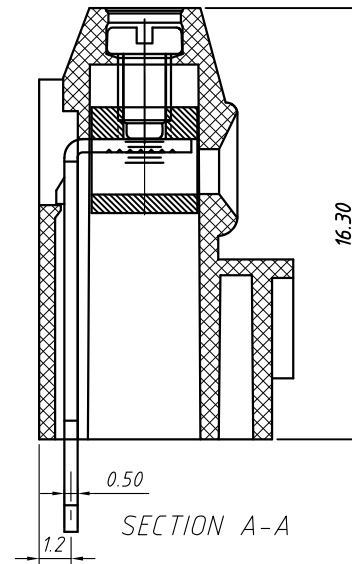
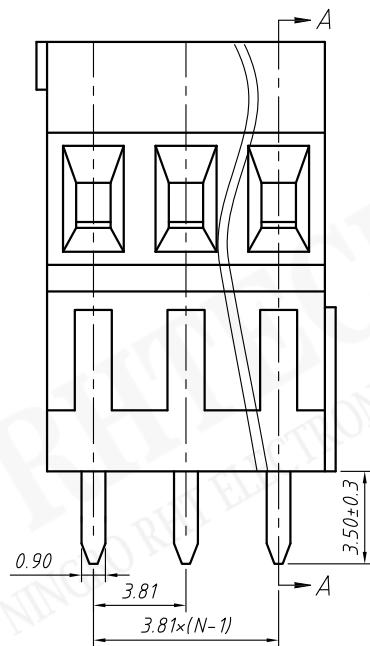
RE-C-125H-3.50-XXP-4 S 00

Terminal Block  
 Pitch  
 No. of Pole  
 Color: 4- Green  
 Screw: S-Slot Screw  
 Product Code: 00 ~ 99

UNITS:mm	SHEET SIZE:A4	SCALE:---	
>0~3	>3~18	>18~50	>50~120
±0.12	±0.15	±0.3	±0.5



PCB LAYOUT



SECTION A-A

Material  
 Housing: PA66, UL94V-0  
 Clamp: Brass, Ni plated  
 Pin Header: Brass, Tin plated  
 Screw: M2 steel Zinc plated

Electrical  
 Rated voltage: 300V  
 Rated current: 10A  
 Contact Resistance: 20 mΩ  
 Insulation resistance: 500MΩ/DC500V  
 Withstand voltage: AC2000V / 1 min  
 Wire Range: 24~12AWG 2.5mm<sup>2</sup>

Mechanical  
 Temp. Range: -40 °C ~ +105 °C  
 Strip length: 5~6mm  
 Torque: 0.2Nm (1.75Lb.in)

Order Information

RE-C-125H-3.81-XXP-4 S 00

Terminal Block  
 Pitch  
 No. of Pole  
 Color: 4- Green  
 Screw: S-Slot Screw  
 Product Code: 00~99

**RHTECP** NINGBO RHT ELECTRONIC CO.,LTD

UNITS:mm

SHEET SIZE:A4

SCALE:---

RE-C-125H-3.81-XXP-4S

>0~3

>3~18

>18~50

>50~120

±0.12

±0.15

±0.3

±0.5

CONNECTORS