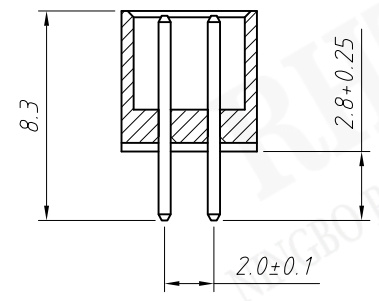
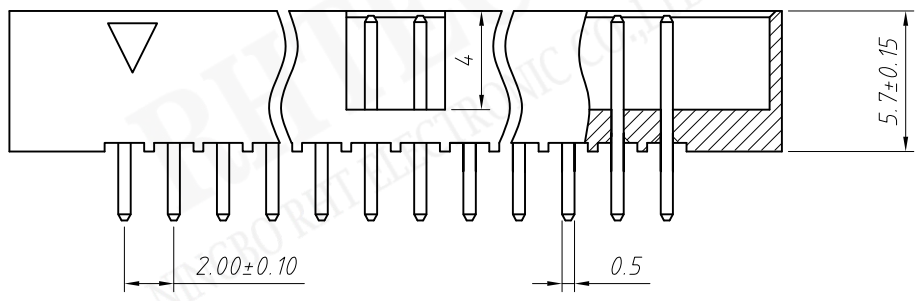


Recommended P.C.B Layout (Top Side)
(PCB BOARD TOLERANCE ±0.05)

Material:
Housing: PA6T, UL 94V-0
Contact: Brass
Plating: Gold plated

Electrical Characteristics:
Rated Current: 1.5AMP
Contact Resistance: 20mΩ Max
Withstand Voltage: 400V AC/DC
Insulator Resistance: 800MΩ Min

Mechanical
Operating Temperature: -40°C ~ +105°C
Max. Processing Temp: 230°C for 30-60 seconds (260°C for 10 seconds)



Order Information:

RE-C-202B-XX-S-B-□

Box Header Series
202B: 2.00mm Pitch
XX-No. of 06 ~ 64 pin
Type: S-Straight pin
R-Right Angle Pin T-SMT
Color: B-Black G-Gray
Material: NONE=PA6T
A=PBT C=LCP

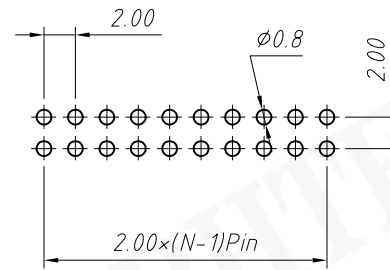
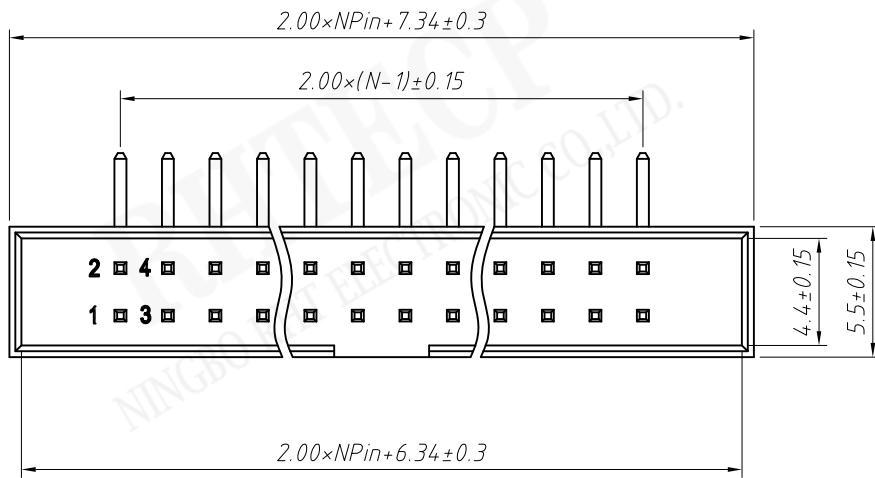


NINGBO RHT ELECTRONIC CO.,LTD

UNITS:mm	SHEET SIZE:A4		SCALE:---
>0~3	>3~18	>18~50	>50~120
±0.12	±0.15	±0.3	±0.5

RE-C-202B-XX-S-B-□

CONNECTORS

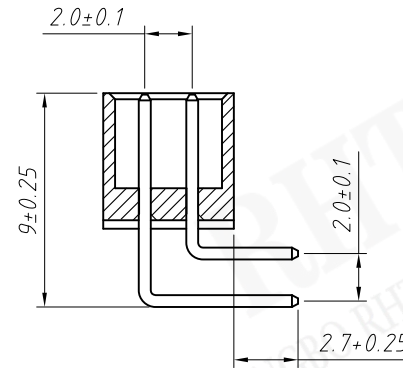
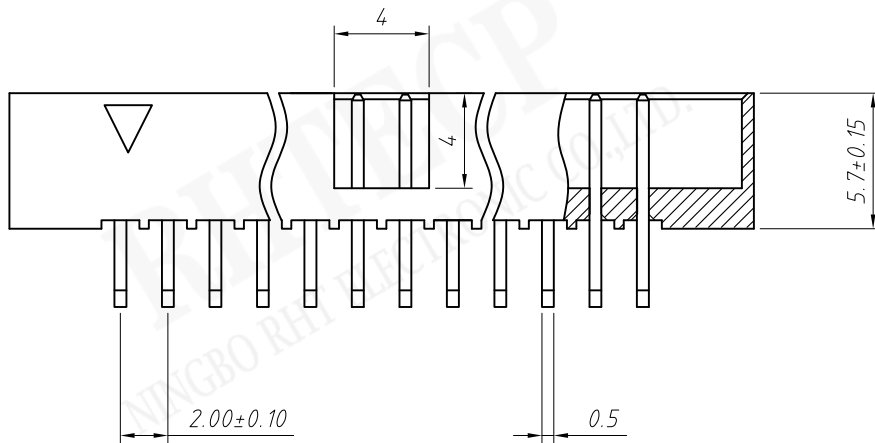


Recommended P.C.B Layout (Top Side)
(PCB BOARD TOLERANCE ±0.05)

Material:
Housing: PA6T, UL94 V-0
Contact: Brass
Plating: Gold plated

Electrical Characteristics:
Rated Current: 1.5AMP
Contact Resistance: 20mΩ Max
Withstand Voltage: 400V AC/DC
Insulator Resistance: 800MΩ Min

Mechanical
Operating Temperature: -40°C ~ +105°C
Max. Processing Temp: 230°C for 30-60 seconds (260°C for 10 seconds)



Order Information:

RE-C-202B-XX-R-B-□

Box Header Series

202B: 2.00mm Pitch

XX-No. of 06 ~ 64 pin

Type: S-Straight pin

R-Right Angle Pin T-SMT

Color: B-Black G-Gray

Material: NONE=PA6T

A=PBT C=LCP

RHTECP NINGBO RHT ELECTRONIC CO.,LTD

UNITS:mm

SHEET SIZE:A4

SCALE:---

RE-C-202B-XX-R-B-□

>0~3

>3~18

>18~50

>50~120

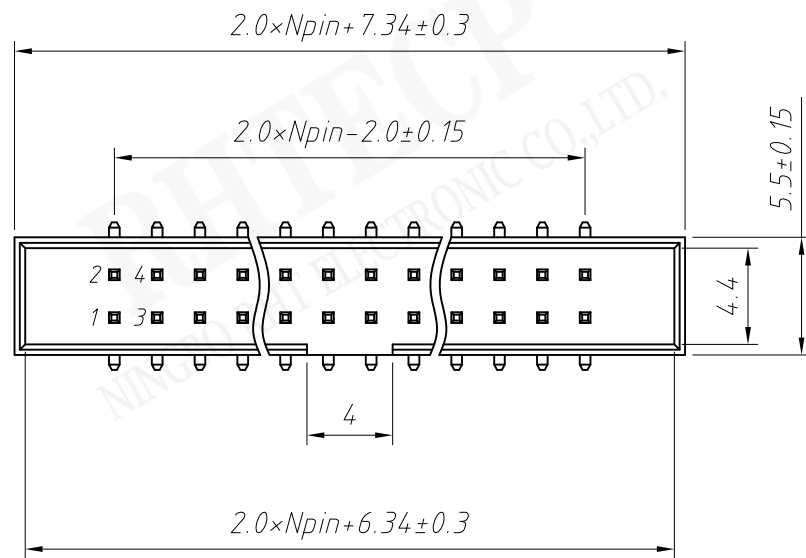
±0.12

±0.15

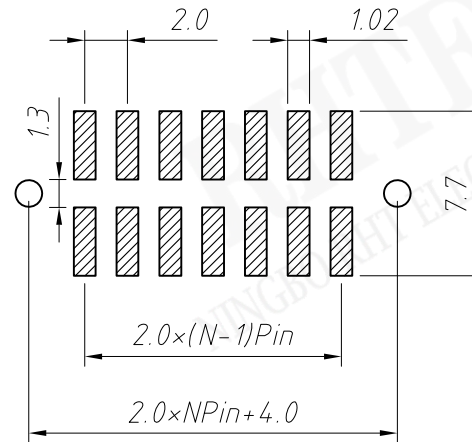
±0.3

±0.5

CONNECTORS



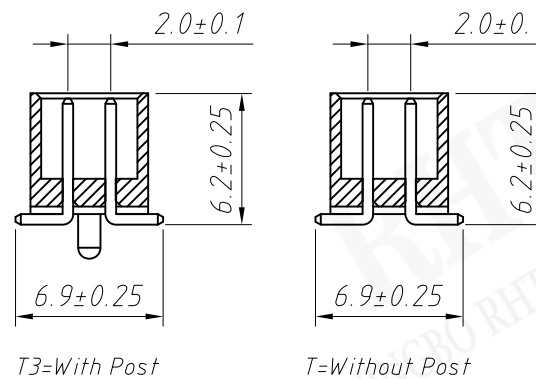
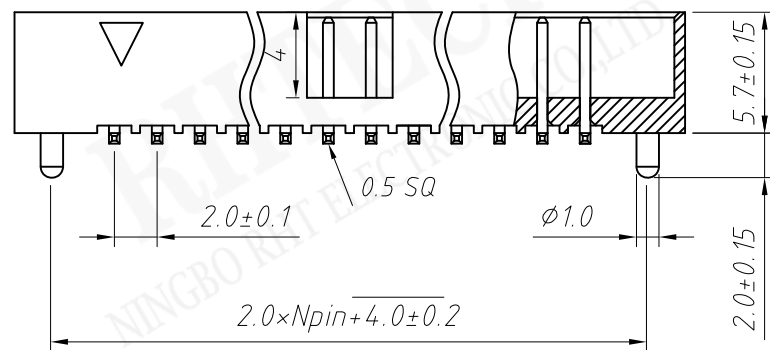
Recommended PCB Layout (Top Side)
PCB Board Tolerance ±0.05



Material:
Housing: PA6T, UL 94V-0
Contact: Brass
Plating: Gold plated

Electrical Characteristics:
Rated Current: 1.5AMP
Contact Resistance: 20mΩ Max
Withstand Voltage: 400V AC/DC
Insulator Resistance: 800MΩ Min

Mechanical
Operating Temperature: -40°C ~ +105°C
Max. Processing Temp: 230°C for 30-60 seconds (260°C for 10 seconds)



Order Information:

RE-C-202B-XX-T-B-□-T

Box Header Series
202B: 2.00mm Pitch
XX-No. of 06~64 pin
SMT: T=Without Post
T3=With Post
Color: B-Black G-Gray
Material: NONE=PA6T
A=PBT C=LCP
Packing:
T=Tube P=Tube+Cap R=Reel+Cap