

Material:

Housing: PA66(UL 94V-0/V-2), White

Electrical Characteristics:

1. Poles: 2 to 16P

2. Current rating: 1.0A

3. Voltage rating: 50V

4. Temperature range: -25°C to +85°C

5. Contact resistance: $\leq 20m\Omega$

6. Insulation resistance: $\geq 500M\Omega$

7. Withstand voltage: 500V AC/minute

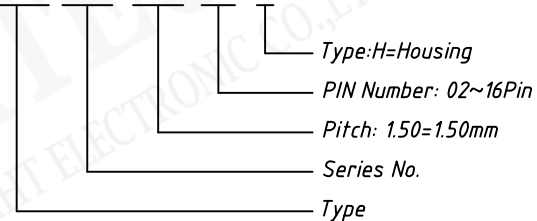
8. Applicable wire: AWG #32 to #22

9. Applicable PC board thickness: 1.2mm to 1.6mm

Circuit	Dimensions(mm)	
	A	B
02	1.50	4.50
03	3.00	6.00
04	4.50	7.50
05	6.00	9.00
06	7.50	10.50
07	9.00	12.00
08	10.50	13.50
09	12.00	15.00
10	13.50	16.50
11	15.00	18.00
12	16.50	19.50
13	18.00	21.00
14	19.50	22.50
15	21.00	24.00
16	22.50	25.50

Order Information

RE-C-XL1-1.50-XX-H



Range	>0~3	>3~18	>18~50	>50~120
Tolerance	± 0.12	± 0.15	± 0.3	± 0.5

RHTECP NINGBO RHT ELECTRONIC CO.,LTD

UNITS:mm

SHEET SIZE:A4

SCALE:---

>0~3

>3~18

>18~50

>50~120

± 0.12

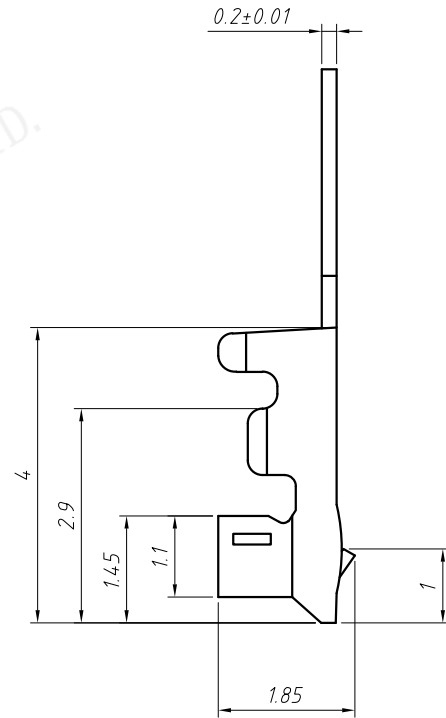
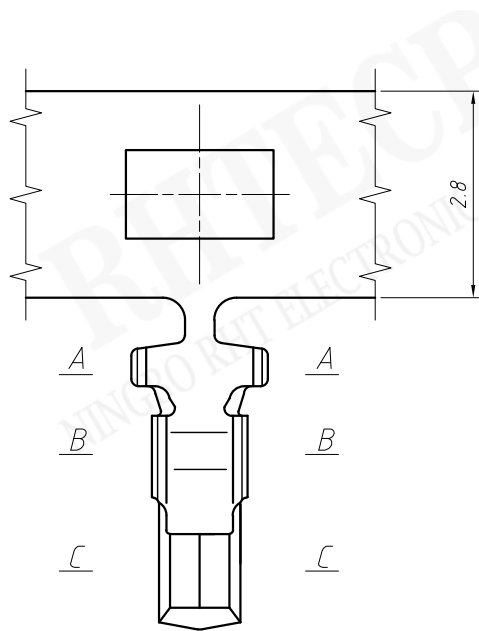
± 0.15

± 0.3

± 0.5

RE-C-XL1-1.50-XX-H

CONNECTORS

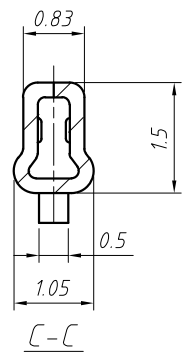
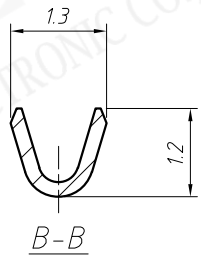
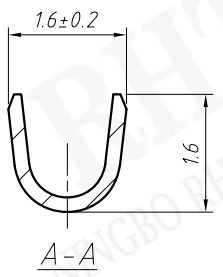


Material:
Terminal: Phos Bronze, Tin plating

Electrical Characteristics:

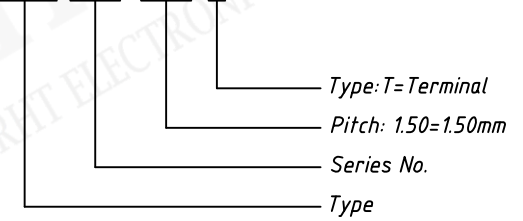
1. Current rating: 1.0A
2. Voltage rating: 50V
3. Temperature range: -25°C to +85°C
4. Contact resistance: $\leq 20m\Omega$
5. Insulation resistance: $\geq 500M\Omega$
6. Withstand voltage: 500V AC/minute
7. Applicable wire: AWG #32 to #26
8. Applicable PC board thickness: 0.6mm to 1.2mm, 1.6mm

Range	>0~3	>3~18	>18~50	>50~120
Tolerance	±0.12	±0.15	±0.3	±0.5



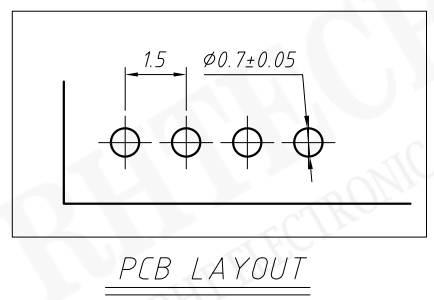
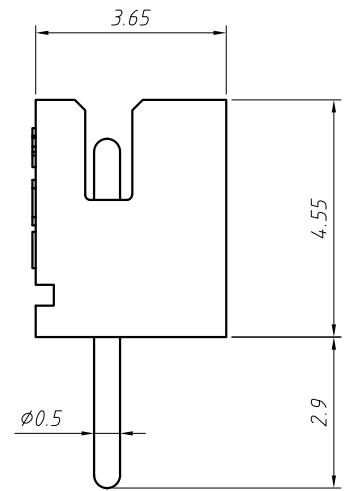
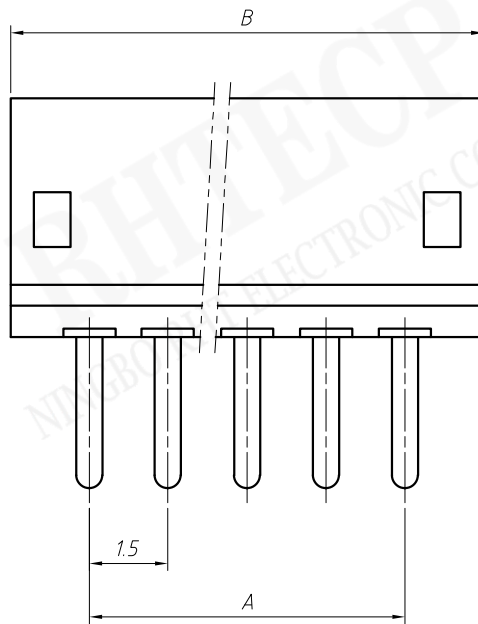
Order Information

RE-C-XL1-1.50-T



UNITS:mm	SHEET SIZE:A4	SCALE:---
>0~3	>3~18	>18~50
±0.12	±0.15	±0.3

RE-C-XL1-1.50-T
CONNECTORS



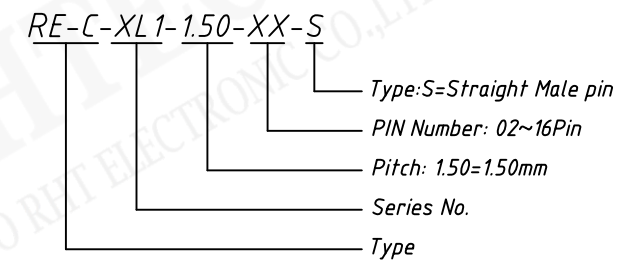
Range	>0~3	>3~18	>18~50	>50~120
Tolerance	±0.12	±0.15	±0.3	±0.5

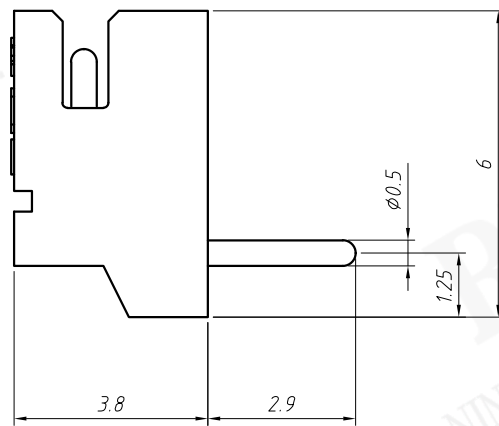
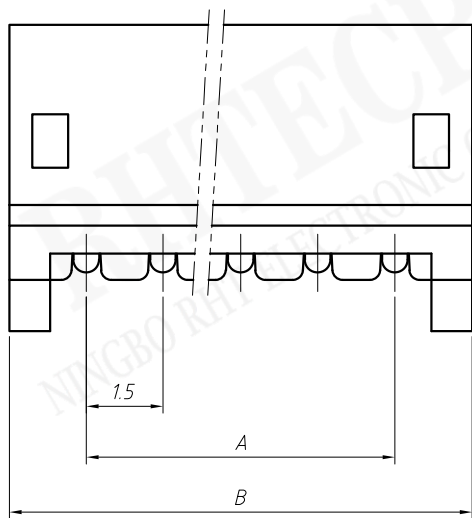
Circuit	Dimensions(mm)	
	A	B
02	1.50	4.50
03	3.00	6.00
04	4.50	7.50
05	6.00	9.00
06	7.50	10.50
07	9.00	12.00
08	10.50	13.50
09	12.00	15.00
10	13.50	16.50
11	15.00	18.00
12	16.50	19.50
13	18.00	21.00
14	19.50	22.50
15	21.00	24.00
16	22.50	25.50

Material:
Housing: PA66(UL 94V-0/V-2), White
Contacts: Brass, Tin plating

- Electrical Characteristics:**
1. Poles: 2 to 16P
 2. Current rating: 1.0A
 3. Voltage rating: 50V
 4. Temperature range: -25°C to +85°C
 5. Contact resistance: ≤20mΩ
 6. Insulation resistance: ≥500MΩ
 7. Withstand voltage: 500V AC/minute
 8. Applicable wire: AWG #32 to #22
 9. Applicable PC board thickness: 1.2mm to 1.6mm

Order Information

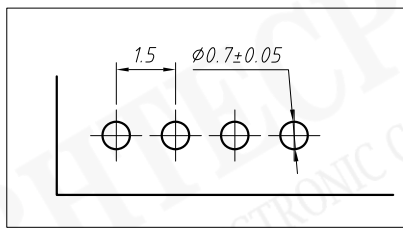




Material:
Housing: PA66(UL 94 V-0/V-2), White
Contacts: Brass, Tin plating

- Electrical Characteristics:**
1. Poles: 2 to 16P
 2. Current rating: 1.0A
 3. Voltage rating: 50V
 4. Temperature range: -25°C to +85°C
 5. Contact resistance: $\leq 20m\Omega$
 6. Insulation resistance: $\geq 500M\Omega$
 7. Withstand voltage: 500V AC/minute
 8. Applicable wire: AWG #32 to #22
 9. Applicable PC board thickness: 1.2mm to 1.6mm

Circuit	Dimensions(mm)	
	A	B
02	1.50	4.50
03	3.00	6.00
04	4.50	7.50
05	6.00	9.00
06	7.50	10.50
07	9.00	12.00
08	10.50	13.50
09	12.00	15.00
10	13.50	16.50
11	15.00	18.00
12	16.50	19.50
13	18.00	21.00
14	19.50	22.50
15	21.00	24.00
16	22.50	25.50

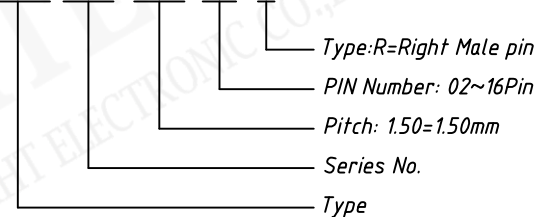


PCB LAYOUT

Range	>0~3	>3~18	>18~50	>50~120
Tolerance	±0.12	±0.15	±0.3	±0.5

Order Information

RE-C-XL1-1.50-XX-R



NINGBO RHT ELECTRONIC CO.,LTD

UNITS:mm

SHEET SIZE:A4

SCALE:---

RE-C-XL1-1.50-XX-R

>0~3

>3~18

>18~50

>50~120

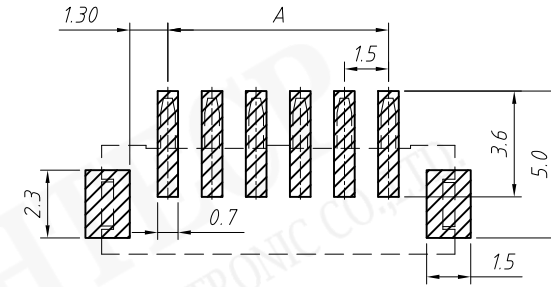
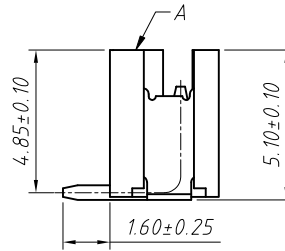
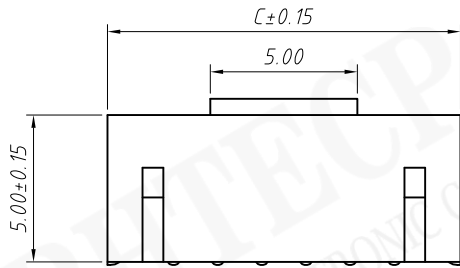
±0.12

±0.15

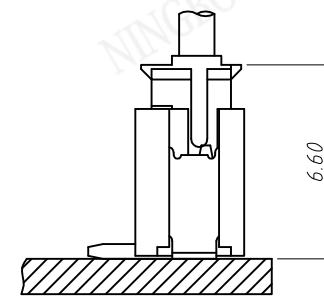
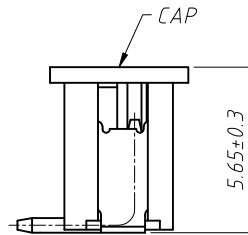
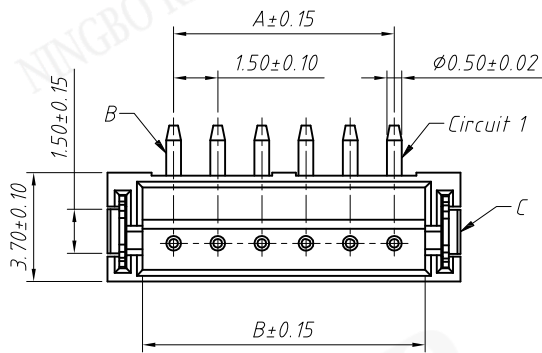
±0.3

±0.5

CONNECTORS



Suggested PCB layout



Assembly layout

Circuit	Dimensions(mm)		
	A	B	C
02	1.50	3.60	6.00
03	3.00	5.10	7.50
04	4.50	6.60	9.00
05	6.00	8.10	10.50
06	7.50	9.60	12.00
07	9.00	11.10	13.50
08	10.50	12.60	15.00
09	12.00	14.10	16.50
10	13.50	15.60	18.00
11	15.00	17.10	19.50
12	16.50	18.60	21.00
13	18.00	20.10	22.50
14	19.50	21.60	24.00
15	21.00	23.10	25.50
16	22.50	24.60	27.00

Material:

Insulator:LCP UL94 V-0,Beige

Contacts:Brass,Tin Plated

Solder Tab:Phosphor Bronze,Tin Plated

Electrical Specification:

Poles: 02 to 16

Contact resistance:≤20mΩ

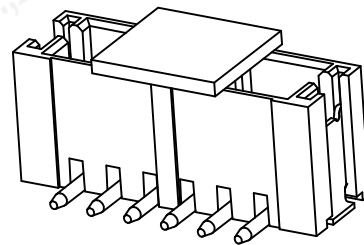
Insulation resistance:≥500MΩ

Rated voltage:125V AC DC

Rated current:1.0A AC DC

Withstand Voltage:500V AC/minute

Temperature Range:-25℃~ +105℃



NINGBO RHT ELECTRONIC CO.,LTD

UNITS:mm

SHEET SIZE:A4

SCALE:---

RE-C-XL1-150-XX-VM

>0~3

>3~18

>18~50

>50~120

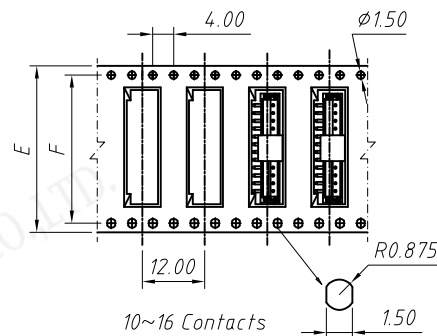
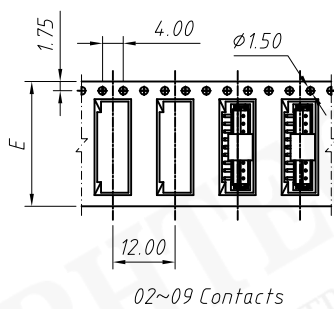
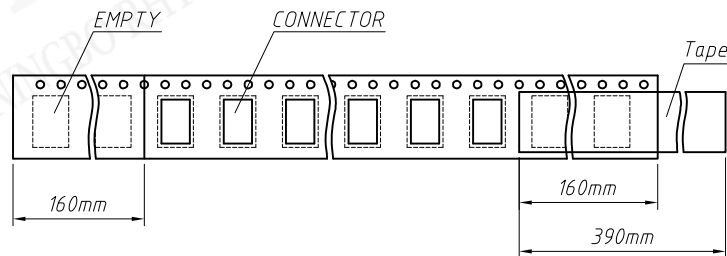
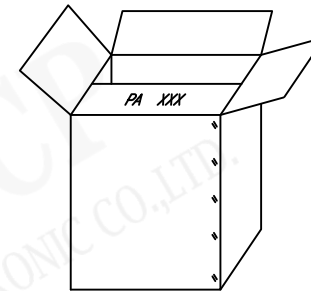
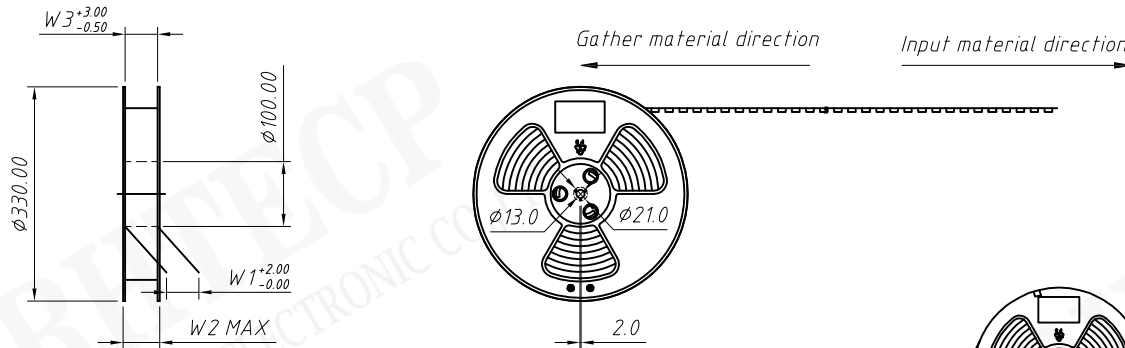
±0.12

±0.15

±0.3

±0.5

CONNECTORS



NOTE

- × Reel Material : HIPS
- × Carrier Material : Clear ,Conductive Polystyrene Alloy
- × Cover Tape Material : Polyester
- × Cover Tape Peel Strength: 0.1N-1.3N
- × Carrier Camber is within 1mm in 100mm
- × CARTON DIMENSION:350(L)×345(W)×435(H)mm

× Quantity:

- (2-3)P 1000 PCS/Reel 20 REEL/CARTON 20000 PCS/ CARTON
- (4-8)P 1000 PCS/Reel 15 REEL/CARTON 15000 PCS/ CARTON
- (10-12)P 1000 PCS/Reel 11 REEL/CARTON 11000 PCS/ CARTON
- (13)P 1000 PCS/Reel 8 REEL/CARTON 8000 PCS/CARTON

Circuits	Dimensions(mm)					Packing(Reel/Caton)
	E	F	W1	W2	W3	
02-03 PIN	16.00	--	16.50	22.50	16.50	20/Reel
04-08 PIN	24.00	--	24.50	30.50	24.50	15/Reel
10-12 PIN	32.00	28.40	32.50	38.50	32.50	11/Reel
13 PIN	44.00	40.40	44.50	50.50	44.50	8/Reel



NINGBO RHT ELECTRONIC CO.,LTD

UNITS:mm

SHEET SIZE:A4

SCALE:---

>0~3

>3~18

>18~50

>50~120

RE- C-XL1-1.50-XX-VM

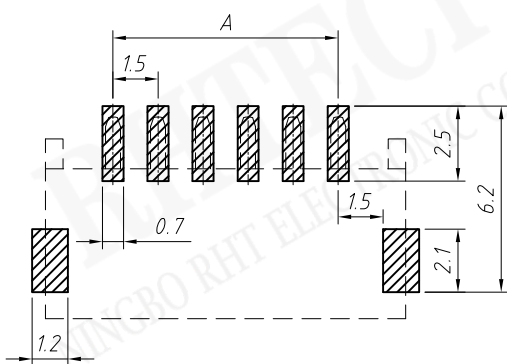
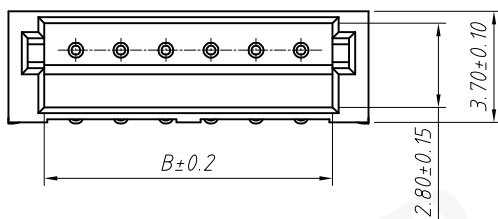
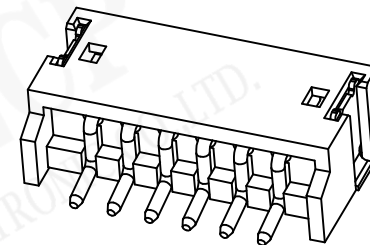
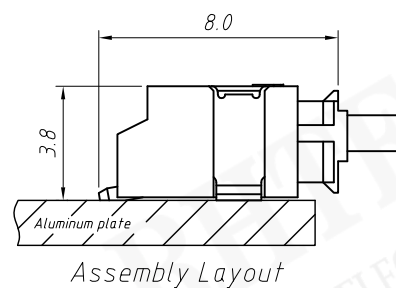
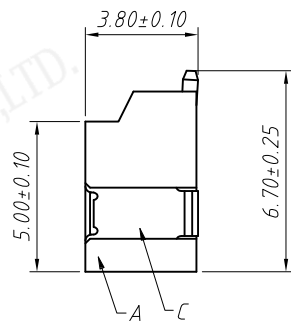
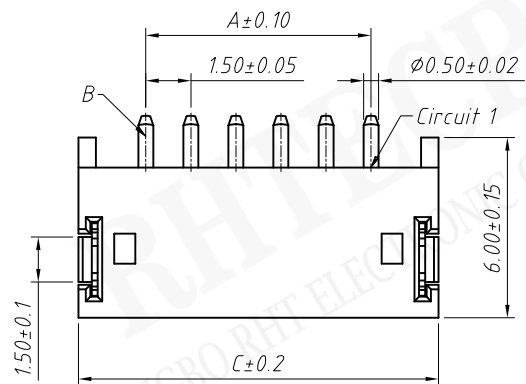
±0.12

±0.15

±0.3

±0.5

CONNECTORS



Suggested PCB Layout

Circuit	Dimensions(mm)		
	A	B	C
02	1.50	3.60	6.00
03	3.00	5.10	7.50
04	4.50	6.60	9.00
05	6.00	8.10	10.50
06	7.50	9.60	12.00
07	9.00	11.10	13.50
08	10.50	12.60	15.00
09	12.00	14.10	16.50
10	13.50	15.60	18.00
11	15.00	17.10	19.50
12	16.50	18.60	21.00
13	18.00	20.10	22.50
14	19.50	21.60	24.00
15	21.00	23.10	25.50
16	22.50	24.60	27.00

Material:

Insulator:LCP UL94V-0,Beige

Contacts:Brass,Tin Plated

Solder Tab:Phosphor Bronze,Tin Plated

Electrical Specification:

Poles: 02 to 16

Contact resistance:≤20mΩ

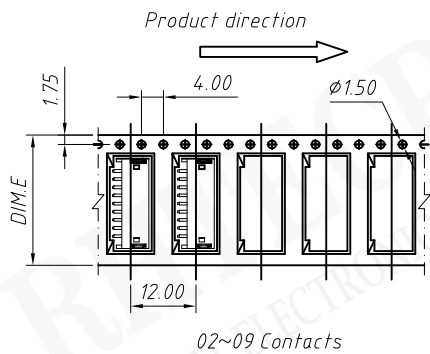
Insulation resistance:≥500MΩ

Rated voltage:125V AC DC

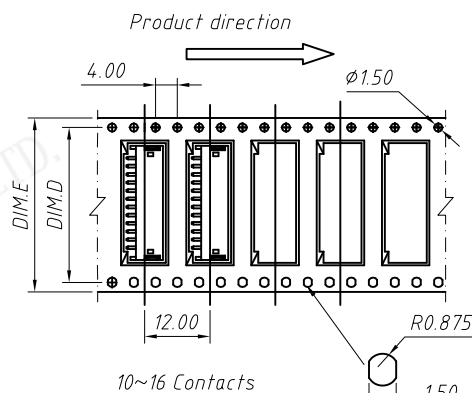
Rated current:1.0A AC DC

Withstand Voltage:500V AC/minute

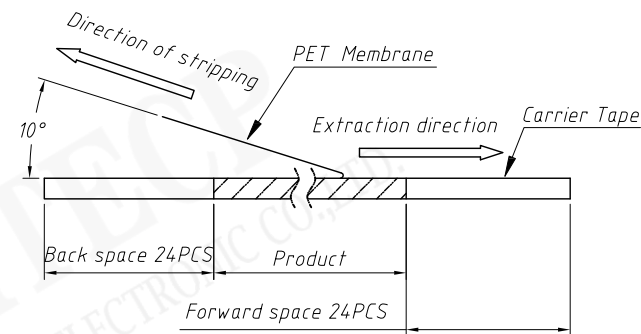
Temperature Range:-25℃~ +105℃



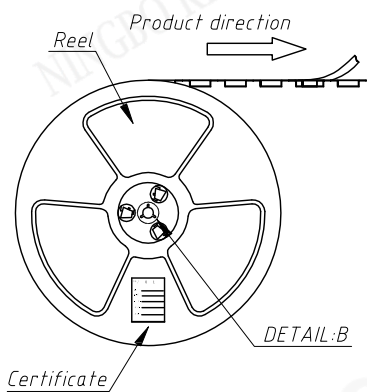
02~09 Contacts



10~16 Contacts



PET Membrane Schematic diagram of stripping

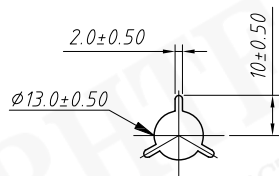


$\phi 100(\text{ref})$

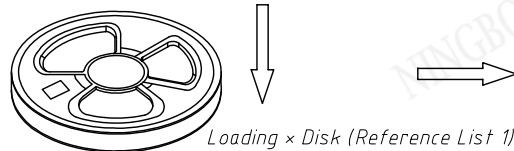
$\phi 330(\text{ref})$

DETAIL:B

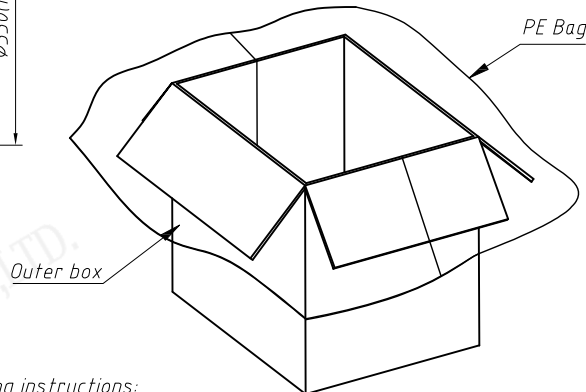
Certificate



DETAIL:B

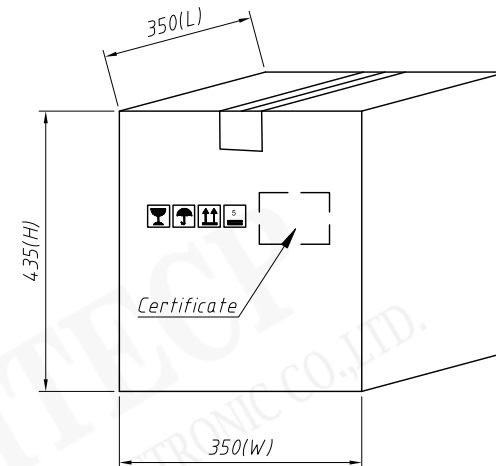


Loading x Disk (Reference List 1)



PE Bag

Outer box



Circuits	DIM.D	DIM.E	Q'ty/Reel	Packing Reel/Case
02-03 PIN	--	16	1000 PCS	20/Reel
034-09 PIN	--	24	1000 PCS	15/Reel
10-11 PIN	28.4	32	1000 PCS	11/Reel
12-13 PIN	40.4	44	1000 PCS	8/Reel

Packaging instructions:

Pack the finished products into reels, each with 1000 PCS.

The product will be packed by pasting a certificate on the reel.

The reel is put into the outer box, and the outer box is fitted with one first.

Large PE bags with qualified certificates affixed on the outer case.