

PIN Assignment:
 Pin1:VCC
 Pin2:RST
 Pin3:CLK
 Pin4:Reserved
 Pin5:GND
 Pin6:VPP
 Pin7:I/O
 Pin8:Reserved

Material:

Housing:LCP,UL 94 V-0

Contact:C5210 , Gold Flash Plated On Contact Area;

Gold Flash Plating On Solder Tails;

With Entire Contact Underplated Nickel

Shell:SUS304,Nickel Underplated Over all,

Gold Flash Plated On Solder Tails

Electrical Specifications:

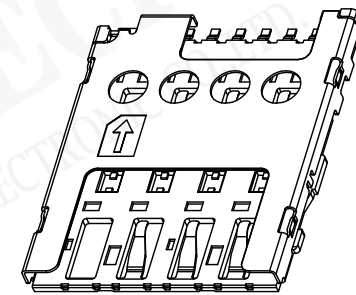
Current Rating:0.5A

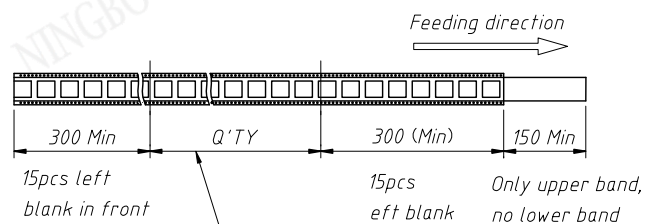
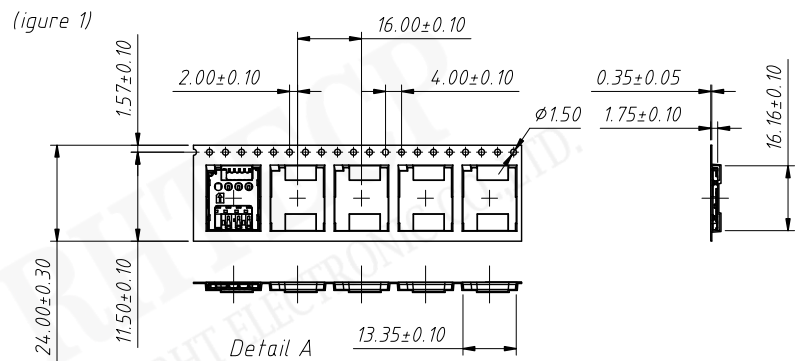
Voltage Rating:5V

Contact Resistance:50m Ω Max.

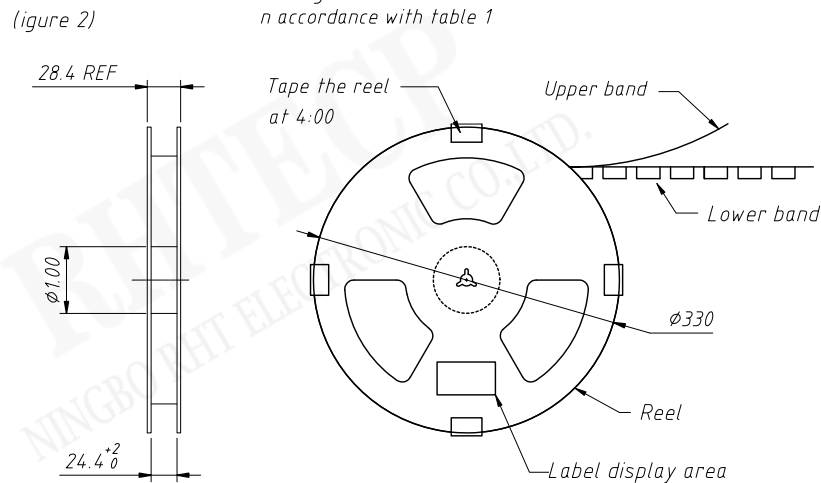
Insulation resistance:1000M Ω Min

Durability:3000 Cycles Min



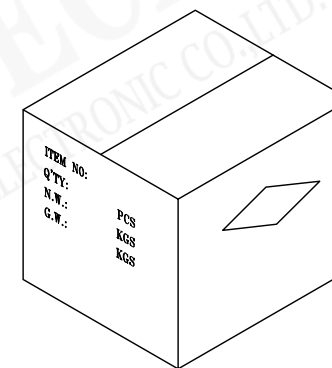
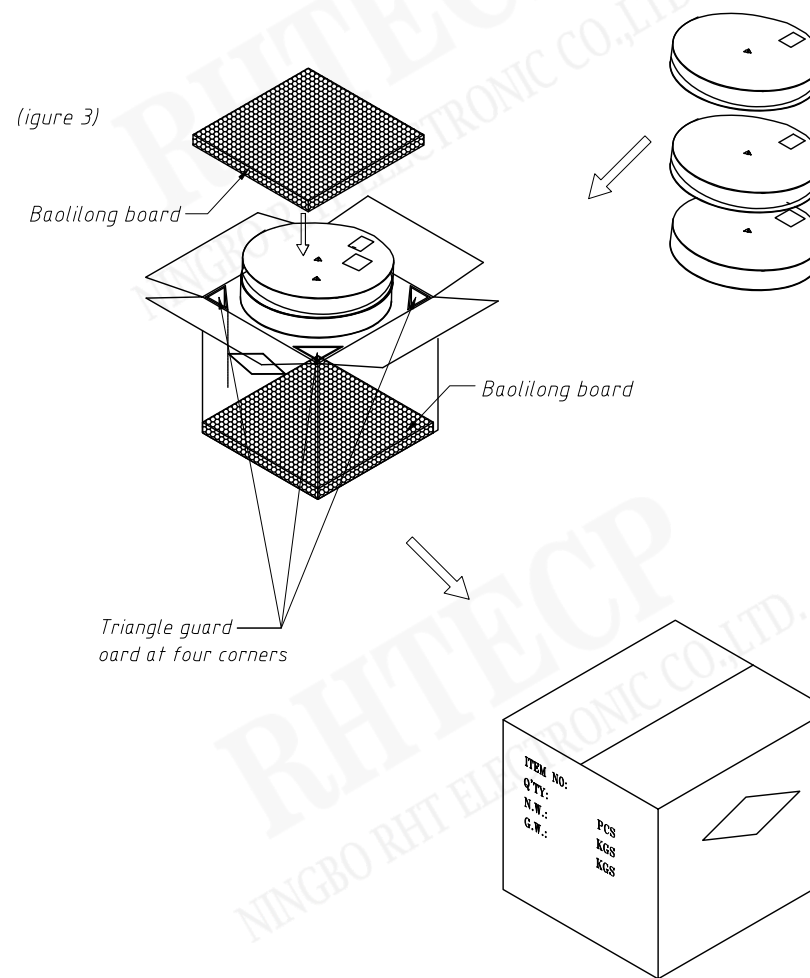


The quantity of product loading area shall be in accordance with table 1



(table 1) Number of packages

Pcs/ volume	Roll / box	Pcs/ box
1500	11	16500



NINGBO RHT ELECTRONIC CO.,LTD

UNITS:mm

SHEET SIZE:A4

SCALE:---

RE-C-SIM-046-6P-R

0~3

3~18

18~50

50~120

±0.12

±0.15

±0.3

±0.5

CONNECTORS