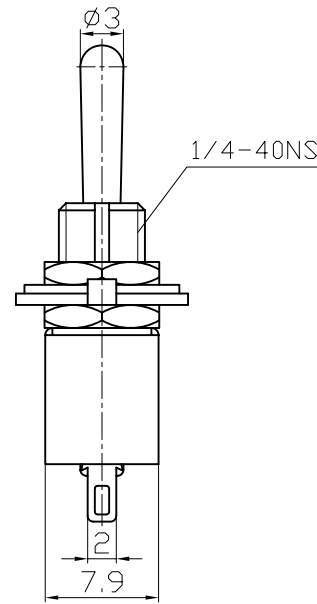
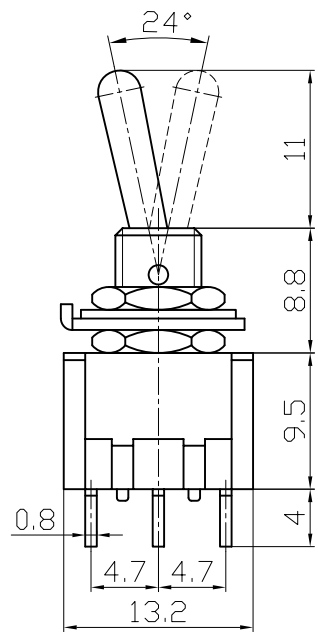


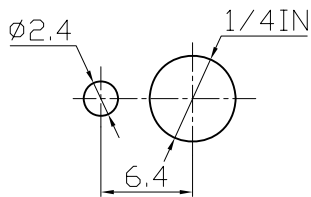
Outline Drawing



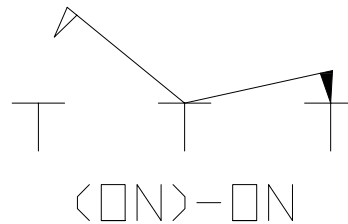
Specification

1. Rating :6A 125V AC; 3A 250V AC
2. Contact R :20mΩ max
3. Insulation R :500V DC 1000MΩ min
4. Dielectric Strength :1 Minute 1500V AC
5. Operating Temperature :-25°C ~+85°C
6. Electrical Life :10, 000 Cycles

Mounting



Circuitry



RHTECP NINGBO RHT ELECTRONIC CO.,LTD

UNITS:MM

SHEET SIZE:A4

SCALE:---

RE-S-MS-112-A1-RD

>0~3

>3~18

>18~50

>50~120

±0.12

±0.15

±0.3

±0.5

SWITCH